



Reduce Inventory! Wire-For-Wire Replacement For All Standard Potential Relays!

For any single phase motor application
up to 10 HP...

ICM's new **Universal Motor Starting Relay** incorporates patented differential voltage sensing and a non-positional mounting configuration to offer a single replacement for all standard potential relays. Great way to reduce inventory. Ideal for A/C, commercial refrigeration, heat pump or any single-phase motor application up to 10 HP.



Features

- Replacement for all standard potential relays
- Patented differential voltage sensing
- No user-adjustments required
- Non-positional mounting configuration
- 30A and 50A switching capabilities
- Universal mounting bracket for easy installation
- .250" quick connect termination
- Safety timer
- Approvals: UL, CSA, cUL pending
- Ordering Info: UMSR30 (30A), UMSR50 (50A)

Specifications

General:

- **Input:**
 - Voltage Rating: 110-270 VAC, Single Phase
 - Maximum Voltage Contact Rating: 502 VAC (absolute)
- **Motor Power Rating:** Up to 10 HP
- **Operating Position:** Non-positional
- **Safety Time Out:** Approximately 1-second per 100 microfares
- **Consumption:** 5VA max.
- **Insulation:** Class B (130°C); Conforms to IEC 1000- standards (6kV impulse / 6kV contact)

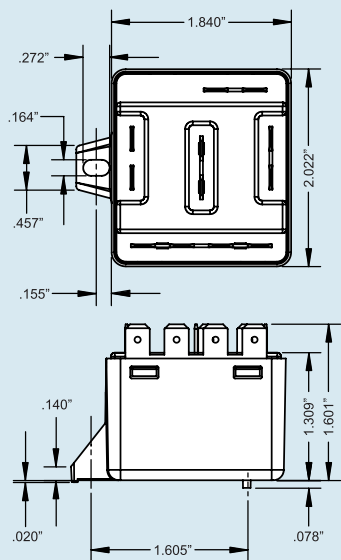
Life Expectancy (minimum operations)

- Mechanical: 1×10^6
- Electrical: 1×10^6 at 16A 400VAC
 5×10^5 at 35A 400VAC (break only)
 5×10^5 at 50A 400VAC (break only)

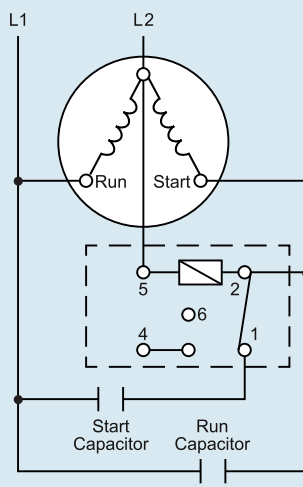
Contacts:

- **Contact Rating:** 30A (break only), 400 VAC $\cos \phi = 0.7$ to 0.8
50A (break only), 400 VAC $\cos \phi = 0.7$ to 0.8

Dimension Diagrams

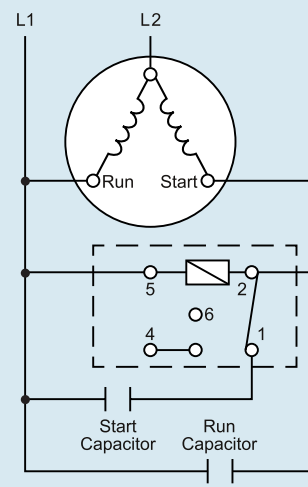


Standard Wiring Diagram



Terminal 4 = Common Park Terminal
Terminal 6 = Common Park Terminal

Alternative Reduced Arcing Configuration



Terminal 4 = Common Park Terminal
Terminal 6 = Common Park Terminal