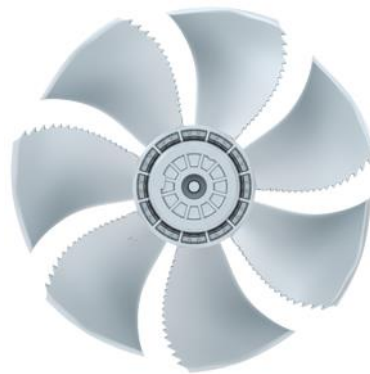


Movement by Perfection



The Royal League in ventilation, control and drive technology



Product documentation

Type  
FN045-VDQ.4F.V7P1

Article number  
140114

Article number  
140114

# The Royal League Die Königsklasse

## Product documentation

Customer

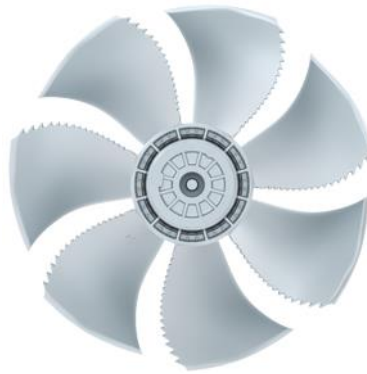
ZIEHL-ABEGG Contact  
James Tran

Project

ZIEHL-ABEGG Subsidiary  
Australia  
ZIEHL-ABEGG Australia Pty Ltd (VIC)  
181 Calarco Drive  
Derrimut  
VICTORIA 3030  
AUSTRALIA  
Phone +61 3 99310899  
Fax +61 3 99310499  
[www.ziehl-abegg.com.au](http://www.ziehl-abegg.com.au)  
[info@ziehl-abegg.com.au](mailto:info@ziehl-abegg.com.au)

Type  
FN045-VDQ.4F.V7P1

Article number  
140114



### Contents

1.	Rubriküberschrift1 (CB_AF_Headline1)	<b>Error! Bookmark not defined.</b>
----	--------------------------------------	-------------------------------------

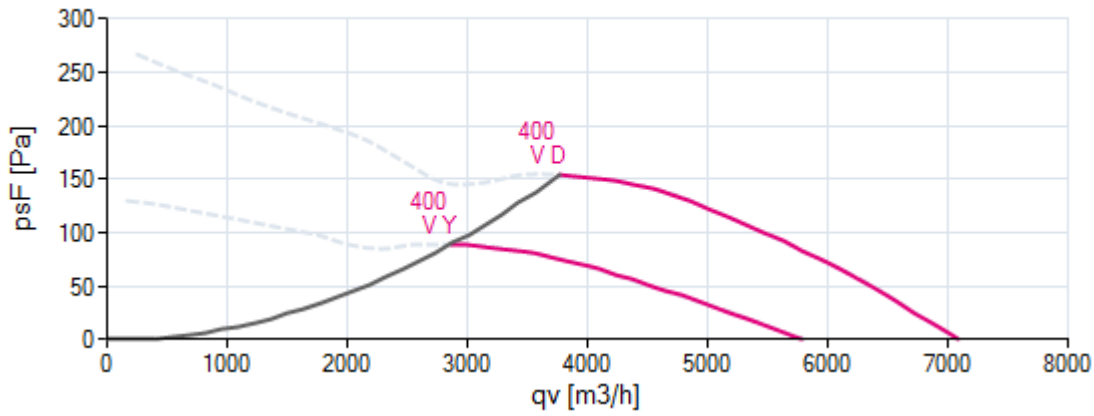
### 1. Product specification

#### Technical data

Article number	140114
Type	FN045-VDQ.4F.V7P1
Designation	Axial fan with sickle blades
Rated values	3~400V±10% D/Y 50Hz P <sub>1</sub> 0,54/0,36kW 1.10/ 0.66A ΔI=10% 1350/1020/min COSY 0,72 70°C 3~400V±10% D/Y 60Hz P <sub>1</sub> 0,84/0,38kW 1,50/ 0,76A ΔI=5% 1460/ 840/min COSY 0,81 45°C 3~460V±10% D/Y 60Hz P <sub>1</sub> 0,88/0,52kW 1,40/ 0,84A ΔI=5% 1560/1010/min COSY 0,79 45°C
Electrical connection	Terminal box K62
Min. operating temperature °C	-40
Mounting type terminal box	Mounted on Stator
Type of protection	IP54
Thermal class	THCL155
Connection diagram	1360-108XA
Rating plate	1x fixed
Fitting position	H/Vu/Vo
Motor protection	thermal contact
Impregnation	Moisture and hot climate protection
Quality of bearings	ball bearing with long-time lubrication
Material Rotor	Aluminium
Painting rotor	unpainted
Material blades	Aluminium
Painting impeller	unpainted
Field of application	Standard application
Guard grille type	ring grill
Painting housing	Bell mouth powder-coated consistency class 2
Colour housing	RAL 9005 (jet black)
Painting mot.suspens	Motor suspension powder-coated consistency class 2
colour suspension	RAL 9005 (jet black)
Weight kg	14,40
ErP Data	Efficiency $\eta_{statA}$ : 34,0 % Efficiency grade: $N_{actual} = 42,0 / N_{target} = 40^*$ *ErP 2015

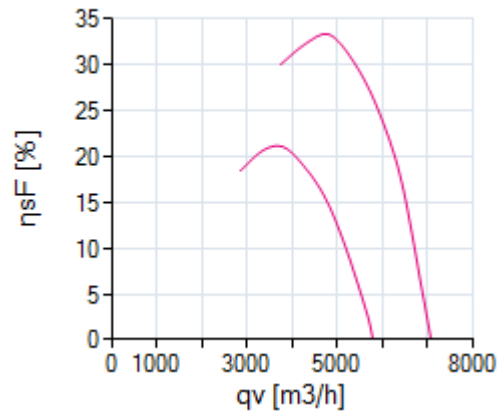
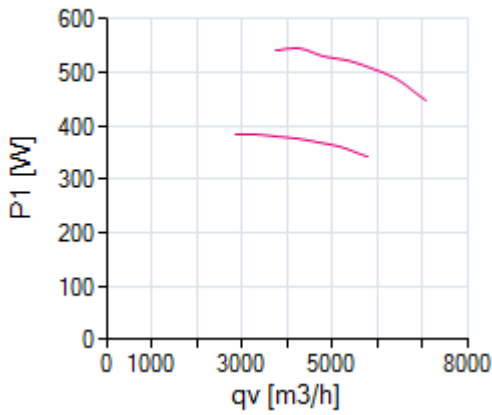
## 2. Characteristic Curve

### Air performance



### Power input

### Efficiency



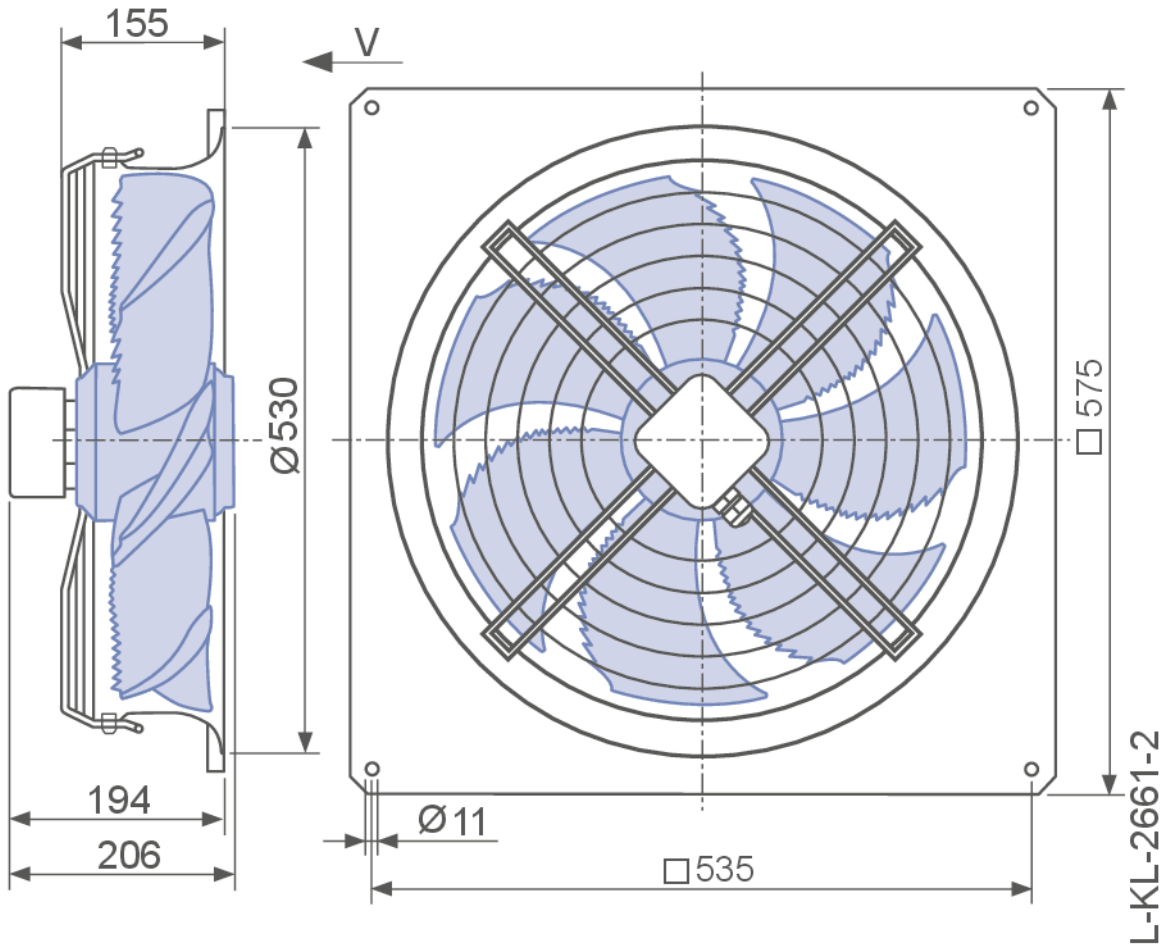
Please note: It's not allowed to use this fan in the stall area!\*

\*In doubt please ask your responsible ZIEHL-ABEGG sales contact.

### Data of operating point

frequency (f <sub>BP</sub> )	50
mains supply	3~ 400V 50Hz D
guard grille	no

### 3. Drawing





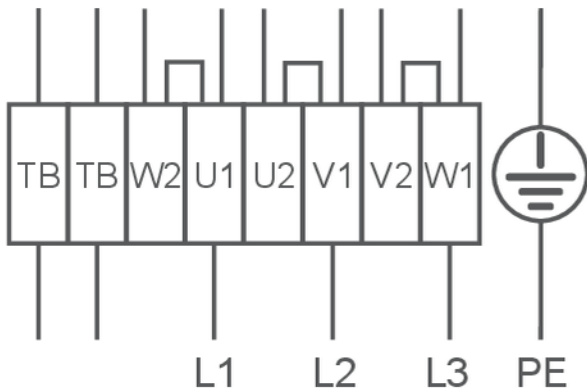
### 4. Connection diagram

#### 1360-108XA

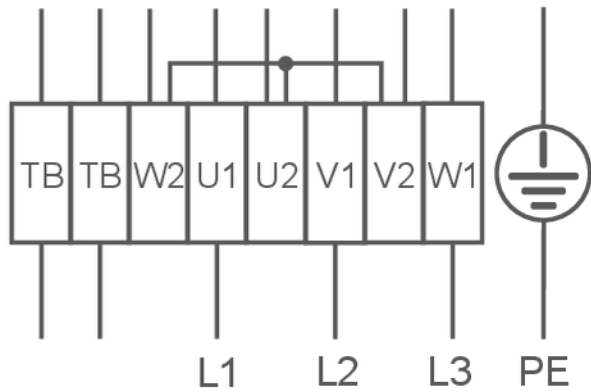
3~ motor, 2 speeds ( $\Delta/Y$  switch over) with thermostatic switch (if built in). Without bridge when using speed change-over switch.

- U1 brown
- V1 blue
- W1 black
- U2 red
- V2 grey
- W2 orange
- TB white

High speed/D-connection



Low speed/Y-connection









The Royal League in ventilation, control and drive technology

## Intelligent control technology for any application

**ZIEHL-ABEGG system capabilities:**  
Everything from a single source – perfectly matched for optimal performance

Please contact us. We would be pleased to design an individual solution for your requirements.

We would like to welcome you on our worldwide exhibitions. Please find our next exhibitions [here](#).