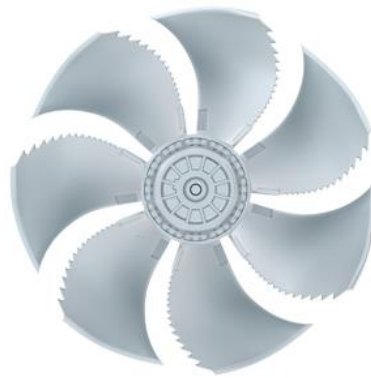


Movement by Perfection



The Royal League in ventilation, control and drive technology



### Product documentation

Type  
FN050-4EK.4I.V7P1

Article number  
140057

## Product documentation

Customer

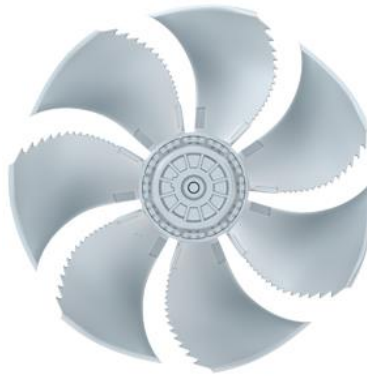
ZIEHL-ABEGG Contact  
James Tran

Project

ZIEHL-ABEGG Subsidiary  
Australia  
ZIEHL-ABEGG Australia Pty Ltd (VIC)  
181 Calarco Drive  
Derrimut  
VICTORIA 3030  
AUSTRALIA  
Phone +61 3 99310899  
Fax +61 3 99310499  
[www.ziehl-abegg.com.au](http://www.ziehl-abegg.com.au)  
[info@ziehl-abegg.com.au](mailto:info@ziehl-abegg.com.au)

Type  
FN050-4EK.4I.V7P1

Article number  
140057



## Contents

1.	Rubriküberschrift1 (CB_AF_Headline1)	<b>Error! Bookmark not defined.</b>
----	--------------------------------------	-------------------------------------

### 1. Product specification

#### Technical data

Article number	140057
Type	FN050-4EK.4I.V7P1
Designation	Axial fan with sickle blades
Rated values	1~230V±10% 50Hz P <sub>1</sub> 0,76kW 3.30A ΔI=5% 1230/min 16.0uF/400V 70°C 1~230V±10% 60Hz P <sub>1</sub> 1,05kW 4,60A ΔI=0% 1250/min 16,0uF/400V 50°C
Electrical connection	Terminal box K62
Min. operating temperature °C	-25
Mounting type terminal box	Mounted on Stator
Type of protection	IP54
Thermal class	THCL155
Connection diagram	1360-104XA
Rating plate	1x fixed
Fitting position	H/Vu/Vo
Motor protection	thermal contact
Impregnation	Moisture and hot climate protection
Quality of bearings	ball bearing with long-time lubrication
Material Rotor	Aluminium
Painting rotor	unpainted
Material blades	Aluminium
Painting impeller	unpainted
Guard grille type	ring grill
Other	Balancing quality G 4,0
Painting mot.suspens	Motor suspension powder-coated consistency class 2
colour suspension	RAL 9005 (jet black)
Weight kg	13,30
ErP Data	Efficiency $\eta_{\text{statA}}$ : 28,9 % Efficiency grade: $N_{\text{actual}} = 36,3 / N_{\text{target}} = 36^*$ *ErP 2013Does not comply with the stipulations of the ErP regulations

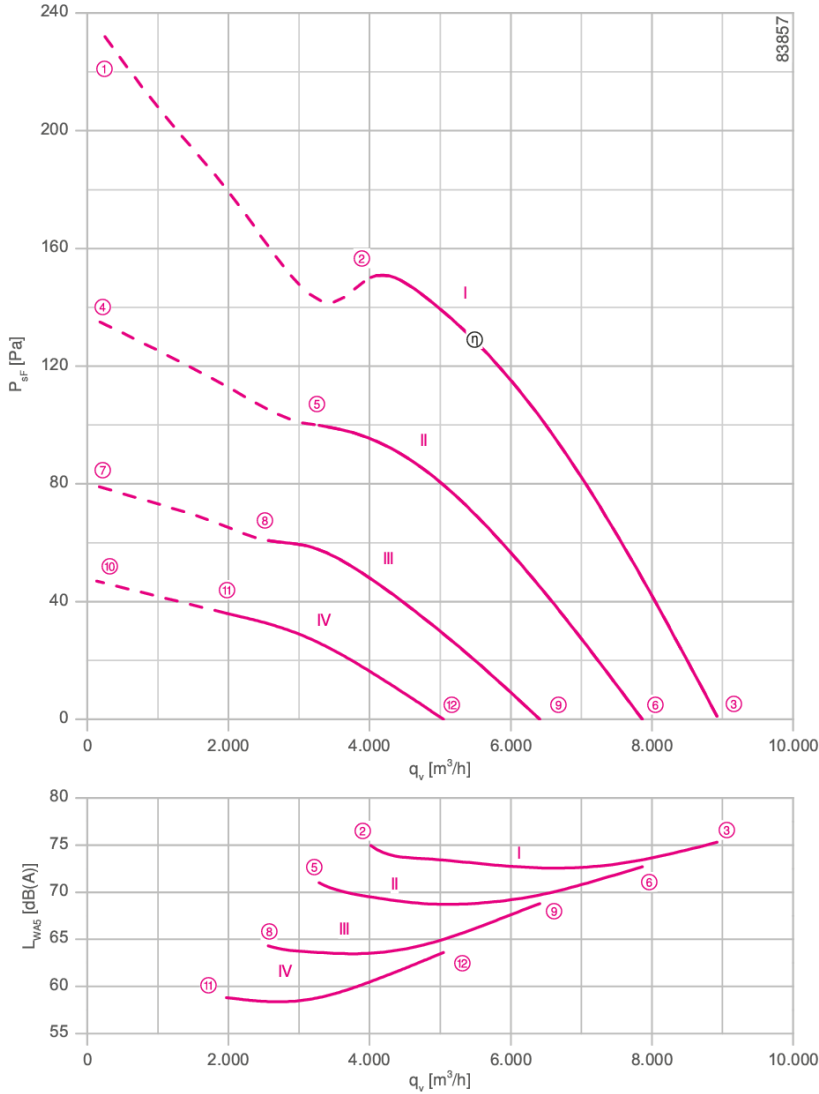
## 2. Characteristic curve

Kennliniexx123

UmbruchKL

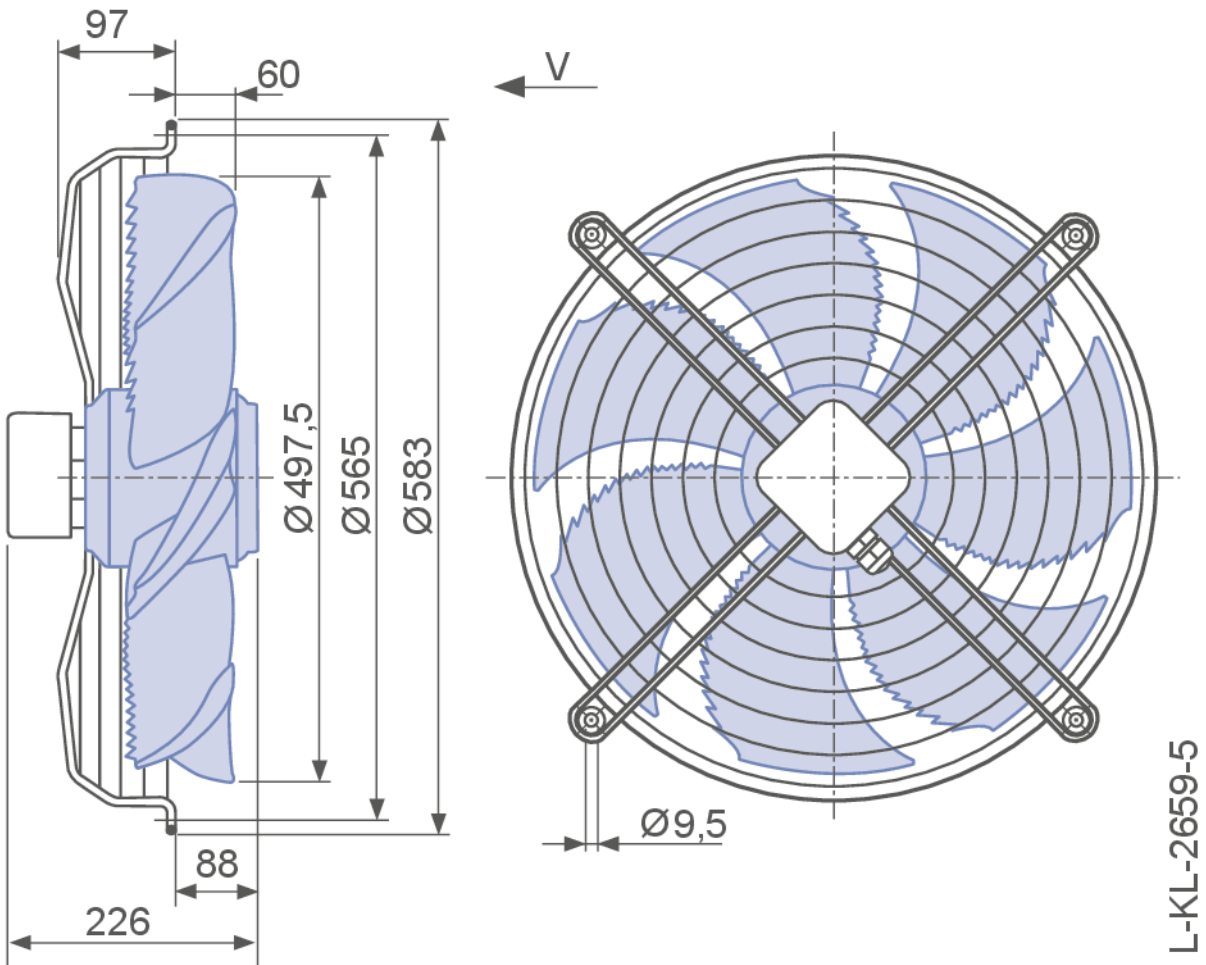
### Characteristic curve

Frequency: 50 Hz

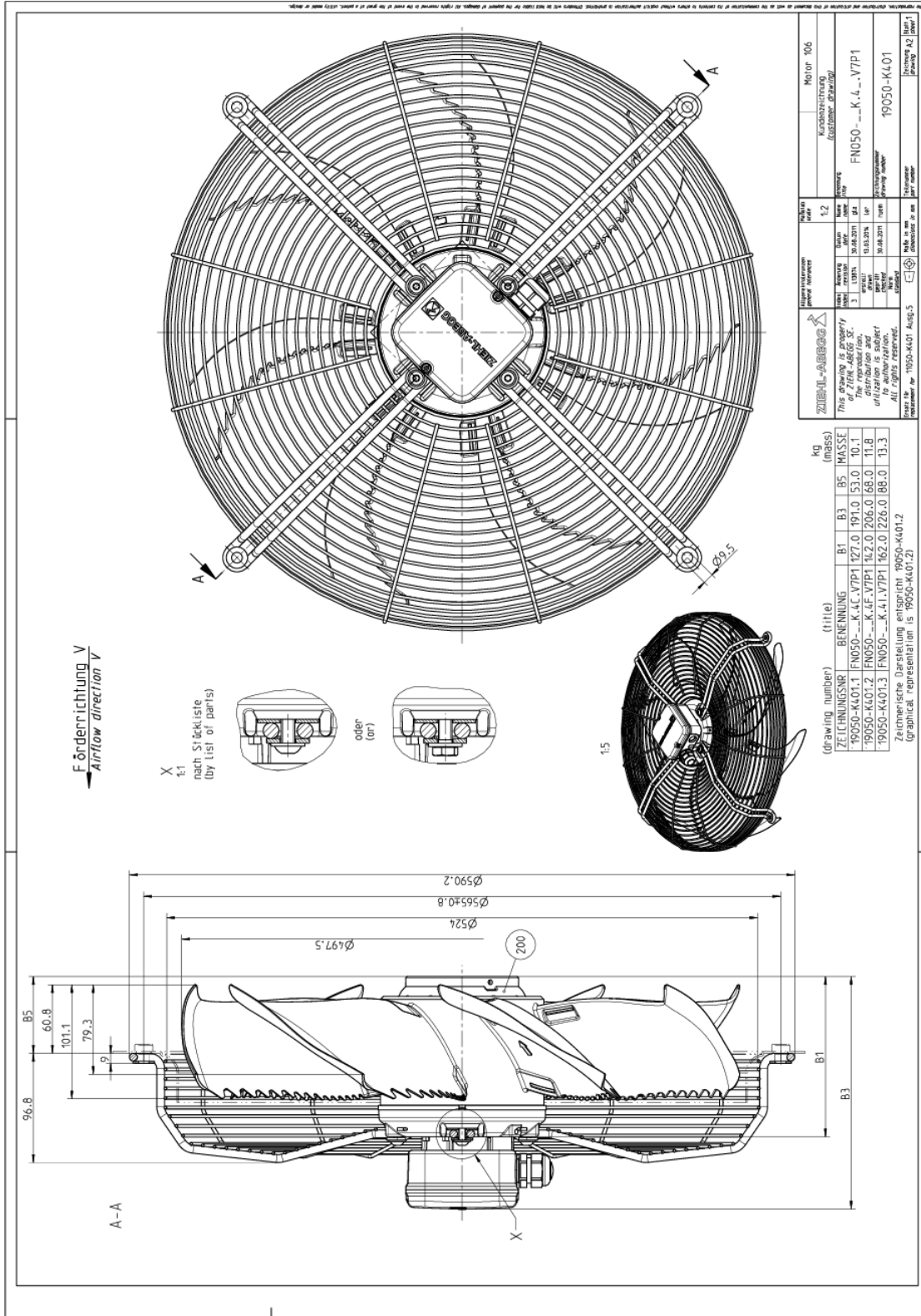


Operating point		①	②	③	④	⑤	⑥	⑦	⑧	⑨	⑩	⑪	⑫
Characteristic curve		I	I	I	II	II	II	III	III	III	IV	IV	IV
Connection		L	L	L	L	L	L	L	L	L	L	L	L
Voltage	V	230	230	230	170	170	170	135	135	135	110	110	110
Input power	W	880	760	620	600	560	480	420	400	370	280	280	270
Current	A	3,90	3,30	2,80	3,70	3,40	2,90	3,30	3,20	2,80	2,70	2,70	2,60
Speed	min <sup>-1</sup>	1150	1230	1310	870	1010	1160	670	790	950	520	600	750

### 3. Drawing



# The Royal League Die Königsklasse



Dimensions in mm  
Shown drawing is just to show the dimensions of the fan.

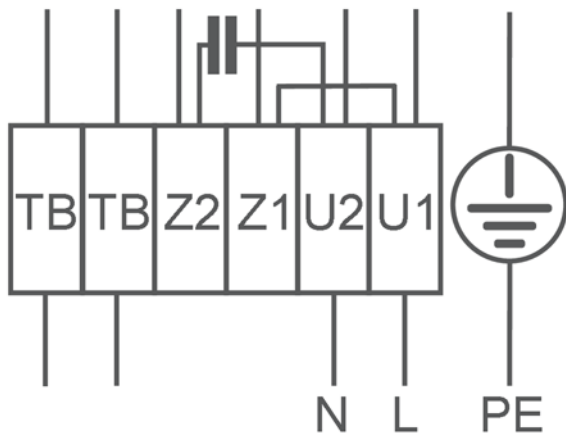
### 4. Connection diagram

#### 1360-104XA

1~Motor with capacitor and thermostatic switch (if built in).

- U1 brown
- U2 blue
- Z1 black
- Z2 orange
- TB white

Clockwise rotation



## 5. EU-Declaration of conformity

### EC-Declaration of conformity

- Translation -  
(english)

ZA75-GB 1616 Index 011  
00285644-GB

**Manufacturer:**  
ZIEHL-ABEGG SE  
Heinz-Ziehl-Straße  
74653 Künzelsau  
Germany

**The manufacturer is solely responsible for issuance of the declaration of conformity.**

#### The products:

- External rotor motor MK.., MW..
- Axial fan FA.., FB.., FC.., FE.., FF.., FS.., FT.., FH.., FL.., FN.., FV.., DN.., VR.., VN.., ZC.., ZF.., ZN..
- Centrifugal fan RA.., RD.., RE.., RF.., RG.., RH.., RK.., RM.., RR.., RZ.., GR.., ER..
- Cross-flow fan QK.., QR.., QT.., QG..

#### The engine type:

- Asynchronous internal or external rotor motor
- Asynchronous internal or external rotor motor with integrated frequency inverter, except EDP system
- Electronically commutated (EC) internal or external rotor motor
- Electronically commutated internal or external rotor motor with integrated EC Controller, except EDP system

#### These products comply with the following EU directives:

- EMC Directive 2014/30/EU
- Low voltage directive 2014/35/EU
- ErP Directive 2009/125/EC, in conjunction with Regulation (EU) no. 327/2011

#### The following harmonized standards are in use:

EN 60034-1:2010 + Cor.:2010                      EN 61000-6-3:2007 + A1:2011 + AC:2012  
EN 60204-1:2006 + A1:2009 + AC:2010              EN 61000-6-2:2005 + AC:2005  
EN 60529:1991 + A1:2000 + A2:2013

Compliance with the ErP Directive 2009/125/EC does not refer to external rotor motors MK.., MW..

All ErP-relevant information comprises measurements which are determined using a standardised measurement set-up. More details can be obtained from the manufacturer.

Compliance with the EMC Directive 2014/30 / EU refers only to those products when they are connected by mounting / operating instructions . If these products are integrated into a system or supplemented with other components (eg. sensing controls) and operated , the manufacturer or operator is responsible of the overall system for compliance with the EMC Directive 2014/30 / EU .

Künzelsau, 20.04.2016  
(Location, date of issue)

ZIEHL-ABEGG SE  
Dr. W. Angelis  
Technical Director Air Movement Division  
(Name, Function)



(Signature)







The Royal League in ventilation, control and drive technology

## Intelligent control technology for any application

**ZIEHL-ABEGG system capabilities:**  
Everything from a single source – perfectly matched for optimal performance

Please contact us. We would be pleased to design an individual solution for your requirements.

We would like to welcome you on our worldwide exhibitions. Please find our next exhibitions [here](#).