

Movement by Perfection



The Royal League in ventilation, control and drive technology



Product documentation

Type
FN071-SDK.6F.V7P1

Article number
141773

Product documentation

Article number
141773

The Royal League Die Königsklasse

Customer

ZIEHL-ABEGG Contact
James Tran

Project

ZIEHL-ABEGG Subsidiary
Australia
ZIEHL-ABEGG Australia Pty Ltd (VIC)
181 Calarco Drive
Derrimut
VICTORIA 3030
AUSTRALIA
Phone +61 3 99310899
Fax +61 3 99310499
www.ziehl-abegg.com.au
info@ziehl-abegg.com.au

Type
FN071-SDK.6F.V7P1

Article number
141773



Contents

1.	Product specification	3
2.	Characteristic curve	4
3.	Drawing	5
4.	Connection diagram	7
5.	EU-Declaration of conformity	8

1. Product specification

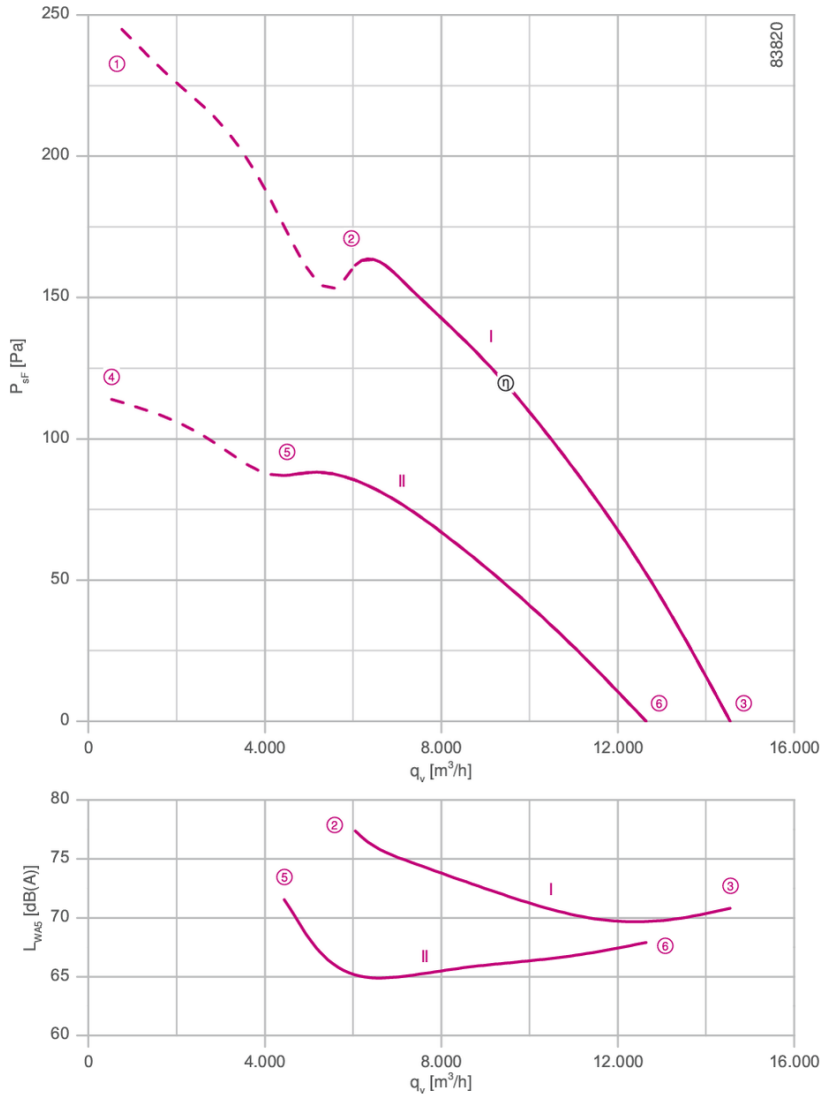
Technical data

Article number	141773
Type	FN071-SDK.6F.V7P1
Designation	Axial fan with sickle blades
Rated values	3~400V±10% D/Y 50Hz P ₁ 0,94/0,62kW 1.70/ 1.05A ΔI=10% 900/ 690/min COSY 0,79 70°C
Electrical connection	Terminal box K62
Min. operating temperature °C	-40
Mounting type terminal box	Mounted on Stator
Type of protection	IP54
Thermal class	THCL155
Connection diagram	1360-108XA
Rating plate	1x fixed
Fitting position	H/Vu/Vo
Motor protection	thermal contact
Impregnation	Moisture and hot climate protection
Quality of bearings	ball bearing with long-time lubrication
Material Rotor	Aluminium
Painting rotor	unpainted
Material blades	Aluminium
Painting impeller	unpainted
Guard grille type	ring grill
Other	All connecting elements in stainless steel.
Painting mot.suspens	Motor suspension powder-coated consistency class 2
colour suspension	RAL 9005 (jet black)
Weight kg	26,00
ErP Data	Efficiency η_{statA} : 39,1 % Efficiency grade: $N_{actual} = 45,8 / N_{target} = 40^*$ *ErP 2015

2. Characteristic curve

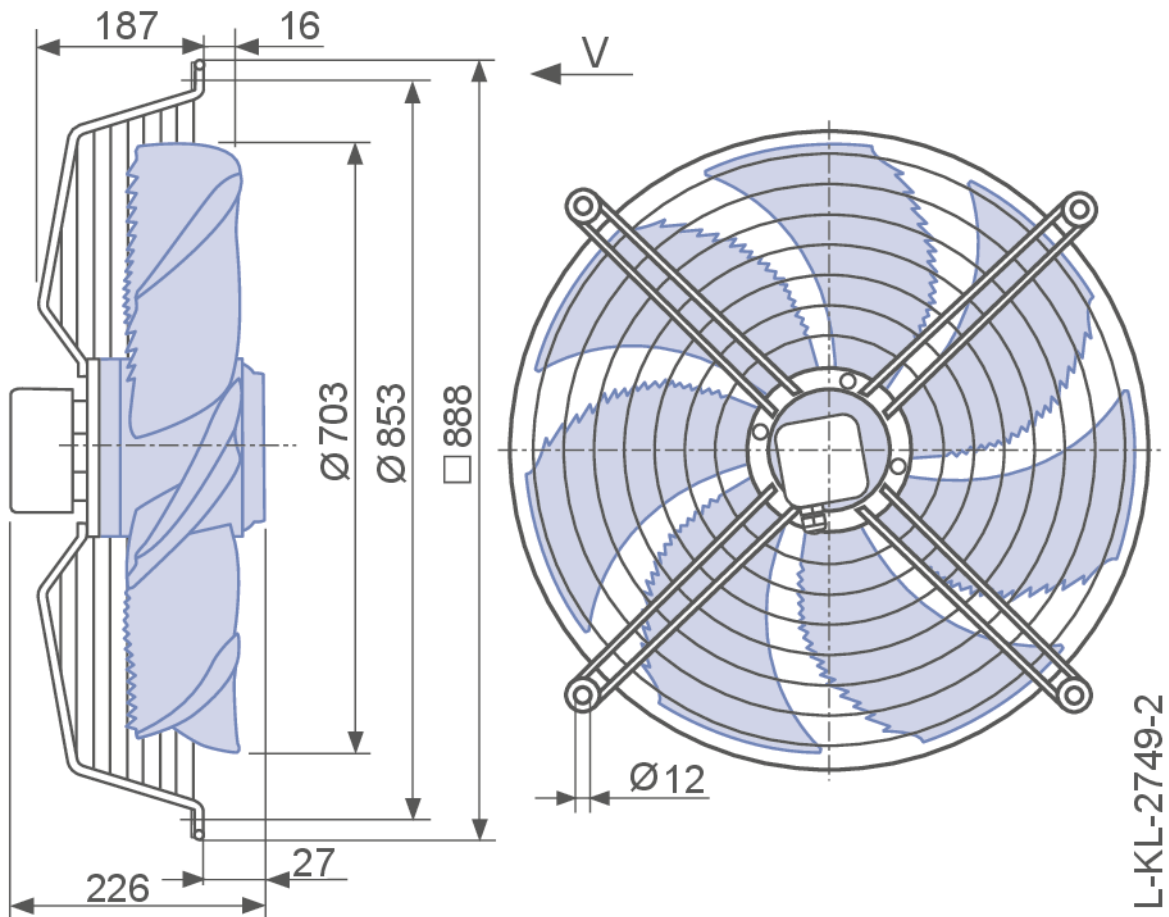
Characteristic curve

Frequency: 50 Hz



Operating point		①	②	③	④	⑤	⑥
Characteristic curve		I	I	I	II	II	II
Connection		Δ	Δ	Δ	Y	Y	Y
Voltage	V	400	400	400	400	400	400
Input power	W	1200	940	560	700	620	450
Current	A	2,10	1,70	1,25	1,25	1,05	0,77
Speed	min^{-1}	850	900	940	580	690	820

3. Drawing



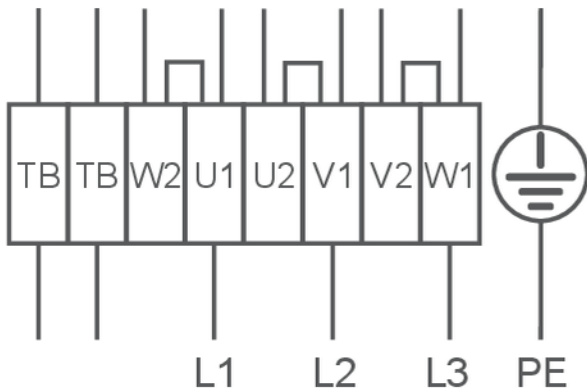
4. Connection diagram

1360-108XA

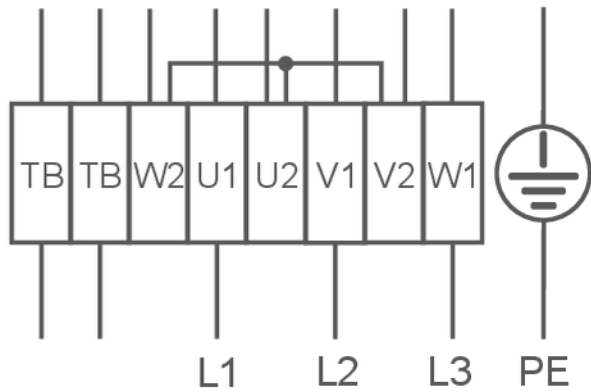
3~ motor, 2 speeds (Δ/Y switch over) with thermostatic switch (if built in). Without bridge when using speed change-over switch.

- U1 brown
- V1 blue
- W1 black
- U2 red
- V2 grey
- W2 orange
- TB white

High speed/D-connection



Low speed/Y-connection





The Royal League in ventilation, control and drive technology

Intelligent control technology for any application

ZIEHL-ABEGG system capabilities:
Everything from a single source – perfectly matched for optimal performance

Please contact us. We would be pleased to design an individual solution for your requirements.

We would like to welcome you on our worldwide exhibitions. Please find our next exhibitions [here](#).