

Copeland[®]

COPELAND CF AND CS COMPRESSORS 50 HERTZ

**THE FINAL SOLUTION
FOR HFC PERFORMANCE**



EMERSON[™]
Climate Technologies



CONTENTS

	Page
Product Description	1
Features	3
CF/CS Story	3
Performance Nominals — CF	4,5
Performance Nominals — CS	6 to 15
Mechanical Specifications	16
Electrical Specifications	17
Electrical Components & Information	18, 19
50 Hertz Single Phase	
Standard Bills of Material	20, 21
Bill of Material Provisions	22
Accessory Information	22
Service Valves	23
Dimensional Drawings	24 to 27
Mounting Arrangements	28
Wiring Diagrams	29
Tabular Performance Data	30 to 71
Compressor Specification	72
Conversion Chart	72
Application Range and Notes	73 to 75
Multipack Packaging/	76, 77
Shipping Information	
Multiple Single Pack Packaging/	78, 81
Shipping Information	
Single Pack Packaging/	82, 83
Shipping Information	
Nomenclature	84

PRODUCT DESCRIPTION

The Copeland CF and CS welded hermetic compressors are designed for commercial refrigeration applications. They feature a “low-side” gas management system. The steel shell contains cool, low pressure suction gas that surrounds and cools the electric motor and mechanical compressor parts, resulting in lower motor and discharge gas temperatures.

The Copelaweld model CF and CS compressors detailed in this book are produced by the Copeland Corporation, a world leader in the manufacturing of welded, semi-hermetic, scroll and screw compressors for the air conditioning, heat pump, and refrigeration markets.

Many years of experience in the research, design, and manufacturing of welded compressors are culminated in the CF/CS outstanding features such as its wide range of

- Model Selections
- Electrical Choices
- Approved Operating Conditions

These attributes are indicators of this compressor's versatility.

Models are available in nominal sizes from 4,000 to 33,000 BTUs with capacitor and relay assemblies, or sight glasses, crankcase heaters, stub tubes, and rotalocks.

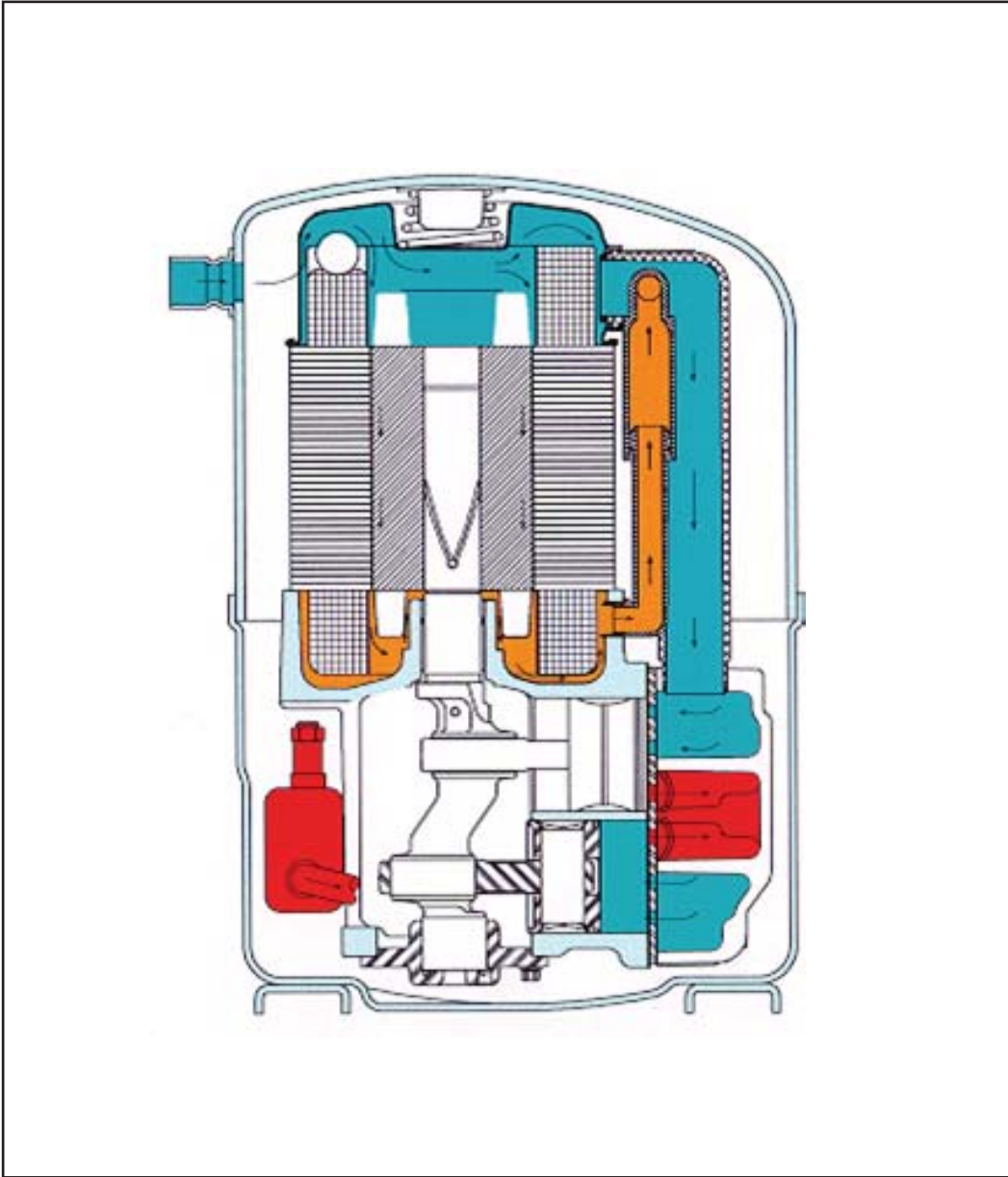
The CF/CS are approved for both 50 and 60 hertz frequencies, single and three phase electricals, and newly expanded voltage tolerances.

All of Copeland's newer CF/CS products are based on the proven success of the CR6 technology. The flagship CR6 design employs enhanced gas management, better lubrication, and anti-slug suction. The result is improved energy efficiency, reduced sound and discharge pulse and excellent reliability and durability.

Complimenting the CR6-based design is Copeland's focused manufacturing facility in Hartselle, Alabama, USA, which is dedicated exclusively to “C” family production. This facility, known for its high productivity, customer responsiveness and quality reciprocating products since 1978, incorporates the most advanced manufacturing technology available. All CR products have earned the ISO 9002 certification for international quality, which, when coupled with Copeland's decades of experience in producing air conditioning and refrigeration compressors, assures a quality product of exceptional performance and long life.

This 50 hertz book has been designed to assist you in selecting the right compressor for the right application. It has been written using the same format as the popular CR catalogs.

We, at Copeland, are committed to supplying the best products and customer support since we cannot be successful unless you are.



The CF/CS compressor line was built with greater reliability and higher efficiency levels in mind.

FEATURES

- High Efficiency Rating
- Wide Selection Range
- Four Refrigerants to Choose From
- Wide Voltage Selection
- Wide Operating Range
- Internal Motor Protector with Start Winding Protection on Single Phase Models
- Internal Solid State Self-Regulating Crankcase Heater
- Full Maximum Load Rundown Capability
- Copelimit® Internal Pressure Relief Valve
- Rotolock Connections or Stub Tubes
- Optional Oil Sight Glass
- Convenient Arrangement of Fittings, Terminal Box, and Heater

CF/CS STORY

For over 70 years, Copeland Corporation has led the industry in compressor efficiency and reliability. As environmental regulations move our world toward a cleaner, safer tomorrow, Copeland continues to lead the way in reciprocating technology with the introduction of the new CF and CS compressors, designed specifically for chlorine-free refrigeration applications.

The HFC Solution

A worldwide phase-out from CFC to HFC Refrigerant has forced some complex transitions on the refrigeration market, but Copeland has developed one compressor design that delivers top performance with many of today's environmentally-safe refrigerants. Offering a complete line-up of models that accommodate R-134a, R-404A and R-507, these compressors operate under a variety of refrigerant options.

Optimized Compressor Design

Based on its advanced reciprocating design, Copeland's CF/CS line was built with greater reliability and higher efficiency levels in mind. This new generation of hermetic compressors has been optimized with enhanced features that improve performance and durability in any condition: strong low-voltage start capability, decreased re-expansion volume for higher efficiency, and reduced bearing load for longer life.

These compressors have also been modified for use with HFC-compatible polyol ester oils. Utilizing POE oil solves miscibility and solubility issues associated with traditional mineral oils. A redesigned wrist pin improves oil flow at high-compression ratios, further safeguarding the life of the compressor.

Product Offering

A full product line-up and broad application range enable customers to choose one compressor type and one supplier for their refrigeration products. Seven single or three-phase displacements are available within the 1 1/2 to 5-horsepower size range. With an operating evenlop of -25° through more than 30°F, the CS performs efficiently under extended medium temperature applications, bringing greater design flexibility and reducing necessary inventory levels.

As the industry leader in reciprocating technology, Copeland continues its commitment to a chlorine-free future with the CF/CS hermetic reciprocating compressor - the HFC final solution.

50 HERTZ

PERFORMANCE NOMINALS

R404A

SINGLE PHASE					200-1-50 (PFV) TEST VOLTAGE				
MODEL	RATING CONDITION	CAPACITY			MOTOR WATTS	AMPERES	ENERGY EFFICIENCY RATING		
		BTU HOUR	KCAL HOUR	WATTS			BTUH MOTOR WATTS	KCALH MOTOR WATTS	WATTS MOTOR WATTS
CF04K6E-PFV	B	3090	780	910	931	5.6	3.3	0.8	1.0
	C	2360	590	690	679	4.4	3.5	0.9	1.0
CF06K6E-PFV	B	5430	1370	1590	1460	8.3	3.7	0.9	1.1
	C	3900	980	1140	1080	6.3	3.6	0.9	1.1
CF09K6E-PFV	B	8230	2080	2410	2080	11.6	4.0	1.0	1.2
	C	5920	1490	1730	1560	9.0	3.8	1.0	1.1
CF12K6E-PFV	B	11000	2770	3220	3120	18.6	3.5	0.9	1.0
	C	8290	2090	2430	2330	15.3	3.6	0.9	1.0

RATING CONDITION	RATING STANDARD	EVAPORATING TEMPERATURE °F/°C	CONDENSING TEMPERATURE °F/°C	AMBIENT TEMPERATURE °F/°C	LIQUID TEMPERATURE °F/°C	RETURN GAS TEMPERATURE °F/°C
B	ARI	-10	120	95	120	40
		-23.3	48.9	35.0	48.9	4.4
C	LOW TEMPERATURE	-25	105	95	105	40
		-31.7	40.6	35.0	40.6	4.4

See expanded performance data on pages 30 to 33.

See full operating range on page 73.

Production compressors to meet above nominal performance values within ±5 percent.

50 HERTZ

PERFORMANCE NOMINALS

R404A

THREE PHASE					220-3-50 (TF5) 380-3-50 (TFD)		TEST VOLTAGE		
MODEL	RATING CONDITION	CAPACITY			MOTOR WATTS	AMPERES*	ENERGY EFFICIENCY RATING		
		BTU HOUR	KCAL HOUR	WATTS			BTUH MOTOR WATTS	KCALH MOTOR WATTS	WATTS MOTOR WATTS
CF04K6E-TF5/D	B	3110	780	910	888	4.4/2.5	3.5	0.9	1.0
	C	2300	580	670	645	3.8/2.2	3.6	0.9	1.0
CF06K6E-TF5/D	B	5440	1370	1590	1420	5.7/3.3	3.8	1.0	1.1
	C	3970	1000	1160	1050	4.7/2.7	3.8	1.0	1.1
CF09K6E-TF5/D	B	8080	2040	2370	2060	8.1/4.7	3.9	1.0	1.2
	C	6080	1530	1780	1530	6.8/3.9	4.0	1.0	1.2
CF12K6E-TF5/D	B	10500	2650	3080	2870	12.3/7.1	3.7	0.9	1.1
	C	8180	2060	2400	2160	10.4/6.0	3.8	1.0	1.1

* Ampere values shown are at 220 volts/380 volts.

RATING CONDITION	RATING STANDARD	EVAPORATING TEMPERATURE °F/°C	CONDENSING TEMPERATURE °F/°C	AMBIENT TEMPERATURE °F/°C	LIQUID TEMPERATURE °F/°C	RETURN GAS TEMPERATURE °F/°C
B	ARI	-10	120	95	120	40
		-23.3	48.9	35.0	48.9	4.4
C	LOW TEMPERATURE	-25	105	95	105	40
		-31.7	40.6	35.0	40.6	4.4

See expanded performance data on pages 30 to 33.

See full operating range on page 73.

Production compressors to meet above nominal performance values within ±5 percent.

50 HERTZ

PERFORMANCE NOMINALS

R22

SINGLE PHASE					220-1-50 (PFJ) 220-1-50 (PFZ)		TEST VOLTAGE		
MODEL	RATING CONDITION	CAPACITY			MOTOR WATTS	AMPERES	ENERGY EFFICIENCY RATING		
		BTU HOUR	KCAL HOUR	WATTS			BTUH MOTOR WATTS	KCALH MOTOR WATTS	WATTS MOTOR WATTS
CS10K6E-PFJ	B	8680	2190	2540	1280	6.1	6.8	1.7	2.0
	C	5490	1380	1610	966	4.8	5.7	1.4	1.7
CS12K6E-PFJ	B	10200	2570	2990	1470	7.5	6.9	1.7	2.0
	C	6270	1580	1840	1070	5.7	5.9	1.5	1.7
CS14K6E-PFJ	B	12120	3050	3550	2046	10.4	5.9	1.5	1.7
	C	7755	1950	2270	1554	7.9	5.0	1.3	1.5
CS18K6E-PFJ	B	15500	3910	4540	2120	11.0	7.3	1.8	2.1
	C	9950	2510	2920	1580	8.4	6.3	1.6	1.8
CS20K6E-PFZ	B C	DATA BEING DEVELOPED							

SINGLE PHASE					200-1-50 (PFV)		TEST VOLTAGE		
MODEL	RATING CONDITION	CAPACITY			MOTOR WATTS	AMPERES	ENERGY EFFICIENCY RATING		
		BTU HOUR	KCAL HOUR	WATTS			BTUH MOTOR WATTS	KCALH MOTOR WATTS	WATTS MOTOR WATTS
CS10K6E-PFV	B	9000	2270	2640	1290	6.7	7.0	1.8	2.0
	C	5700	1440	1670	970	5.3	5.9	1.5	1.7
CS12K6E-PFV	B	10200	2570	2990	1440	8.3	7.1	1.8	2.1
	C	6250	1580	1830	1050	6.3	6.0	1.5	1.7
CS14K6E-PFV	B	11900	3000	3490	2160	11.4	5.5	1.4	1.6
	C	8010	2020	2350	1630	8.7	4.9	1.2	1.4
CS17K6E-PFV	B C	DATA BEING DEVELOPED							
CS18K6E-PFV	B	15500	3910	4540	2080	12.1	7.5	1.9	2.2
	C	9910	2500	2900	1560	9.2	6.4	1.6	1.9
CS20K6E-PFV	B	17200	4330	5040	2330	11.9	7.4	1.9	2.2
	C	11200	2820	3280	1750	8.9	6.4	1.6	1.9

RATING CONDITION	RATING STANDARD	EVAPORATING TEMPERATURE °F/°C	CONDENSING TEMPERATURE °F/°C	AMBIENT TEMPERATURE °F/°C	LIQUID TEMPERATURE °F/°C	RETURN GAS TEMPERATURE °F/°C
B	ARI	20	120	95	120	40
		-6.7	48.9	35.0	48.9	4.4
C	MEDIUM TEMPERATURE	0	110	95	110	40
		-17.8	43.3	35.0	43.3	4.4

See expanded performance data on pages 34 to 71.

See full operating range on page 73 and 74.

Production compressors to meet above nominal performance values within ±5 percent.

50 HERTZ

PERFORMANCE NOMINALS

R22

THREE PHASE					220-3-50 (TF5) 380-3-50 (TFD)		TEST VOLTAGE		
MODEL	RATING CONDITION	CAPACITY			MOTOR WATTS	AMPERES*	ENERGY EFFICIENCY RATING		
		BTU HOUR	KCAL HOUR	WATTS			BTUH MOTOR WATTS	KCALH MOTOR WATTS	WATTS MOTOR WATTS
CS10K6E-TF5/D	B	8530	2150	2500	1450	3.0/1.6	5.9	1.5	1.7
	C	5130	1290	1500	1090	2.3/1.2	4.7	1.2	1.4
CS12K6E-TF5	B	10200	2570	2990	1680	1.9/—	6.1	1.5	1.8
	C	6200	1560	1820	1250	1.4/—	5.0	1.2	1.5
CS14K6E-TF5/D	B	12000	3020	3520	1680	3.6/1.9	7.1	1.8	2.1
	C	8080	2040	2370	1270	2.9/1.5	6.4	1.6	1.9
CS18K6E-TF5/D	B	15200	3830	4450	2420	5.1/2.7	6.3	1.6	1.8
	C	9380	2360	2750	1810	3.8/2.0	5.2	1.3	1.5
CS20K6E-TF5/D	B	16900	4260	4950	2300	15.6/8.2	7.3	1.9	2.2
	C	11000	2770	3220	1730	12.2/6.4	6.4	1.6	1.9

* Ampere values shown are at 220 volts/380 volts.

RATING CONDITION	RATING STANDARD	EVAPORATING TEMPERATURE °F/°C	CONDENSING TEMPERATURE °F/°C	AMBIENT TEMPERATURE °F/°C	LIQUID TEMPERATURE °F/°C	RETURN GAS TEMPERATURE °F/°C
B	ARI	20	120	95	120	40
		-6.7	48.9	35.0	48.9	4.4
C	LOW TEMPERATURE	0	110	95	110	40
		-17.8	43.3	35.0	43.3	4.4

See expanded performance data on pages 34 to 71.

See full operating range on page 73 and 74.

Production compressors to meet above nominal performance values within ±5 percent.

50 HERTZ

PERFORMANCE NOMINALS

R134a

SINGLE PHASE					220-1-50 (PFJ) 220-1-50 (PFZ)		TEST VOLTAGE		
MODEL	RATING CONDITION	CAPACITY			MOTOR WATTS	AMPERES	ENERGY EFFICIENCY RATING		
		BTU HOUR	KCAL HOUR	WATTS			BTUH MOTOR WATTS	KCALH MOTOR WATTS	WATTS MOTOR WATTS
CS10K6E-PFJ	B	9470	2390	2770	1070	5.8	8.9	2.2	2.6
	C	4640	1170	1360	762	4.7	6.1	1.5	1.8
CS12K6E-PFJ	B	11100	2800	3250	1200	7.1	9.3	2.3	2.7
	C	5580	1410	1630	865	6.1	6.5	1.6	1.9
CS14K6E-PFJ	B	12800	3230	3750	1400	8.4	9.1	2.3	2.7
	C	6470	1630	1900	1010	7.1	6.4	1.6	1.9
CS18K6E-PFJ	B	17200	4330	5040	1880	11.3	9.1	2.3	2.7
	C	8690	2190	2550	1360	9.6	6.4	1.6	1.9
CS20K6E-PFZ	B	19600	4940	5740	2000	10.0	9.8	2.5	2.9
	C	9950	2510	2920	1390	7.5	7.2	1.8	2.1
CS24K6E-PFZ	B C	DATA BEING DEVELOPED							
CS27K6E-PFZ	B C	DATA BEING DEVELOPED							

SINGLE PHASE					200-1-50 (PFV)		TEST VOLTAGE		
MODEL	RATING CONDITION	CAPACITY			MOTOR WATTS	AMPERES	ENERGY EFFICIENCY RATING		
		BTU HOUR	KCAL HOUR	WATTS			BTUH MOTOR WATTS	KCALH MOTOR WATTS	WATTS MOTOR WATTS
CS10K6E-PFV	B	9690	2440	2840	1090	6.9	8.9	2.2	2.6
	C	4880	1230	1430	789	5.9	6.2	1.6	1.8
CS12K6E-PFV	B	11300	2850	3310	1210	7.2	9.3	2.4	2.7
	C	5690	1430	1670	872	6.1	6.5	1.6	1.9
CS14K6E-PFV	B	13100	3300	3840	1420	8.6	9.2	2.3	2.7
	C	6600	1660	1930	1020	7.3	6.5	1.6	1.9
CS18K6E-PFV	B	17500	4410	5130	1890	11.3	9.3	2.3	2.7
	C	8800	2220	2580	1360	9.6	6.5	1.6	1.9
CS20K6E-PFV	B	20000	5040	5860	2100	13.8	9.5	2.4	2.8
	C	10100	2550	2960	1520	11.7	6.6	1.7	1.9
CS27K6E-PFV	B	26300	6630	7710	2940	17.8	8.9	2.3	2.6
	C	13900	3500	4070	2090	13.9	6.7	1.7	1.9

RATING CONDITION	RATING STANDARD	EVAPORATING TEMPERATURE °F/°C	CONDENSING TEMPERATURE °F/°C	AMBIENT TEMPERATURE °F/°C	LIQUID TEMPERATURE °F/°C	RETURN GAS TEMPERATURE °F/°C
B	ARI	45	130	95	130	65
		7.2	54.4	35.0	54.4	18.3
C	HIGH TEMPERATURE	20	120	95	120	65
		-6.7	48.9	35.0	48.9	18.3

See expanded performance data on pages 34 to 71.

See full operating range on page 73 and 74.

Production compressors to meet above nominal performance values within ±5 percent.

50 HERTZ

PERFORMANCE NOMINALS

R134a

THREE PHASE					220-3-50 (TF5) 380-3-50 (TFD)		TEST VOLTAGE		
MODEL	RATING CONDITION	CAPACITY			MOTOR WATTS	AMPERES*	ENERGY EFFICIENCY RATING		
		BTU HOUR	KCAL HOUR	WATTS			BTUH MOTOR WATTS	KCALH MOTOR WATTS	WATTS MOTOR WATTS
CS10K6E-TF5/D	B	9410	2370	2760	990	2.1/1.1	9.5	2.4	2.8
	C	5060	1280	1480	686	1.9/1.0	7.4	1.9	2.2
CS12K6E-TF5	B	9950	2510	2920	1070	2.2/—	9.3	2.3	2.7
	C	5330	1340	1560	740	1.9/—	7.2	1.8	2.1
CS14K6E-TF5/D	B	11700	2950	3430	1260	2.7/1.4	9.3	2.3	2.7
	C	6270	1580	1840	868	2.5/1.3	7.2	1.8	2.1
CS18K6E-TF5/D	B	17400	4380	5100	1820	4.0/2.1	9.6	2.4	2.8
	C	9340	2350	2740	1250	3.4/1.8	7.5	1.9	2.2
CS20K6E-TF5/D	B	19600	4940	5740	2020	4.4/2.3	9.7	2.4	2.8
	C	10500	2650	3080	1390	3.8/2.0	7.6	1.9	2.2
CS27K6E-TF5/D	B	25700	6480	7530	2830	12.5/6.6	9.1	2.3	2.7
	C	14000	3530	4100	1990	10.1/5.3	7.0	1.8	2.1

* Ampere values shown are at 220 volts/380 volts.

RATING CONDITION	RATING STANDARD	EVAPORATING TEMPERATURE °F/°C	CONDENSING TEMPERATURE °F/°C	AMBIENT TEMPERATURE °F/°C	LIQUID TEMPERATURE °F/°C	RETURN GAS TEMPERATURE °F/°C
B	ARI	45	130	95	130	65
		7.2	54.4	35.0	54.4	18.3
C	HIGH TEMPERATURE	20	120	95	120	65
		-6.7	48.9	35.0	48.9	18.3

See expanded performance data on pages 34 to 71.

See full operating range on page 73 and 74.

Production compressors to meet above nominal performance values within ±5 percent.

50 HERTZ

PERFORMANCE NOMINALS

R404A

SINGLE PHASE					220-1-50 (PFJ) 220-1-50 (PFZ)		TEST VOLTAGE		
MODEL	RATING CONDITION	CAPACITY			MOTOR WATTS	AMPERES	ENERGY EFFICIENCY RATING		
		BTU HOUR	KCAL HOUR	WATTS			BTUH MOTOR WATTS	KCALH MOTOR WATTS	WATTS MOTOR WATTS
CS08KQE-PFZ	B C	DATA BEING DEVELOPED							
CS10K6E-PFJ	B C	8160 2320	2060 580	2390 680	1380 785	7.1 5.0	5.9 3.0	1.5 0.7	1.7 0.9
CS12K6E-PFJ	B C	9590 2970	2420 750	2810 870	1570 884	7.7 4.9	6.1 3.4	1.5 0.8	1.8 1.0
CS14K6E-PFJ	B C	11800 4550	2970 1150	3460 1330	1870 1160	10.3 6.6	6.3 3.9	1.6 1.0	1.9 1.1
CS18K6E-PFJ	B C	15000 5270	3780 1330	4400 1540	2340 1410	11.2 7.2	6.4 3.7	1.6 0.9	1.9 1.1
CS20K6E-PFZ	B C	16700 5410	4210 1360	4890 1590	2640 1470	12.9 7.8	6.3 3.7	1.6 0.9	1.9 1.1
CS24K6E-PFZ	B C	19200 6930	4840 1750	5630 2030	3080 1940	16.1 11.9	6.2 3.6	1.6 0.9	1.8 1.0
CS27K6E-PFZ	B C	23000 8630	5800 2170	6740 2530	3590 2250	18.3 12.9	6.4 3.8	1.6 1.0	1.9 1.1

RATING CONDITION	RATING STANDARD	EVAPORATING TEMPERATURE °F/°C	CONDENSING TEMPERATURE °F/°C	AMBIENT TEMPERATURE °F/°C	LIQUID TEMPERATURE °F/°C	RETURN GAS TEMPERATURE °F/°C
B	ARI	20	120	95	120	40
		-6.7	48.9	35.0	48.9	4.4
C	EXTENDED MEDIUM TEMPERATURE	-10	120	95	120	40
		-23.3	48.9	35.0	48.9	4.4

See expanded performance data on pages 34 to 71.

See full operating range on page 73 and 74.

Production compressors to meet above nominal performance values within ±5 percent.

50 HERTZ

PERFORMANCE NOMINALS

R404A

SINGLE PHASE					200-1-50 (PFV) TEST VOLTAGE				
MODEL	RATING CONDITION	CAPACITY			MOTOR WATTS	AMPERES	ENERGY EFFICIENCY RATING		
		BTU HOUR	KCAL HOUR	WATTS			BTUH MOTOR WATTS	KCALH MOTOR WATTS	WATTS MOTOR WATTS
CS08KQE-PFV	B C	DATA BEING DEVELOPED							
CS10K6E-PFV	B C	8160 2320	2060 580	2390 680	1380 785	7.9 5.4	5.9 3.0	1.5 0.7	1.7 0.9
CS12K6E-PFV	B C	9590 2970	2420 750	2810 870	1570 884	8.5 5.4	6.1 3.4	1.5 0.8	1.8 1.0
CS14K6E-PFV	B C	11800 4550	2970 1150	3460 1330	1870 1160	11.8 7.6	6.3 3.9	1.6 1.0	1.9 1.1
CS17K6E-PFV	B C	DATA BEING DEVELOPED							
CS18K6E-PFV	B C	15000 5270	3780 1330	4400 1540	2340 1410	12.3 7.9	6.4 3.7	1.6 0.9	1.9 1.1
CS20K6E-PFV	B C	16700 5870	4210 1480	4890 1720	2600 1540	14.2 8.6	6.4 3.8	1.6 1.0	1.9 1.1
CS24K6E-PFV	B C	19200 7070	4840 1780	5630 2070	3100 1920	19.0 14.6	6.2 3.7	1.6 0.9	1.8 1.1
CS27K6E-PFV	B C	23000 8750	5800 2210	6740 2560	3610 2230	20.3 14.2	6.4 3.9	1.6 1.0	1.9 1.1
CS33K6E-PFV	B C	26400 10700	6650 2700	7740 3140	4250 2670	26.0 19.1	6.2 4.0	1.6 1.0	1.8 1.2

RATING CONDITION	RATING STANDARD	EVAPORATING TEMPERATURE °F/°C	CONDENSING TEMPERATURE °F/°C	AMBIENT TEMPERATURE °F/°C	LIQUID TEMPERATURE °F/°C	RETURN GAS TEMPERATURE °F/°C
B	ARI	20 -6.7	120 48.9	95 35.0	120 48.9	40 4.4
C	EXTENDED MEDIUM TEMPERATURE	-10 -23.3	120 48.9	95 35.0	120 48.9	40 4.4

See expanded performance data on pages 34 to 71.

See full operating range on page 73 and 74.

Production compressors to meet above nominal performance values within ±5 percent.

50 HERTZ

PERFORMANCE NOMINALS

R404A

THREE PHASE					220-3-50 (TF5) 380-3-50 (TFD)		TEST VOLTAGE		
MODEL	RATING CONDITION	CAPACITY			MOTOR WATTS	AMPERES*	ENERGY EFFICIENCY RATING		
		BTU HOUR	KCAL HOUR	WATTS			BTUH MOTOR WATTS	KCALH MOTOR WATTS	WATTS MOTOR WATTS
CS10K6E-TF5/D	B	8210	2070	2410	1330	5.1/3.0	6.2	1.6	1.8
	C	2350	590	690	761	3.2/1.8	3.1	0.8	0.9
CS12K6E-TF5	B	9810	2470	2870	1530	6.1/—	6.4	1.6	1.9
	C	3200	810	940	891	3.8/—	3.6	0.9	1.1
CS14K6E-TF5/D	B	11600	2920	3400	1810	7.2/4.2	6.4	1.6	1.9
	C	4450	1120	1300	1130	4.7/2.7	3.9	1.0	1.2
CS18K6E-TF5/D	B	14800	3730	4340	2210	9.1/5.3	6.7	1.7	2.0
	C	5160	1300	1510	1320	5.9/3.4	3.9	1.0	1.1
CS20K6E-TF5/D	B	16400	4130	4810	2480	10.5/6.1	6.6	1.7	1.9
	C	5770	1450	1690	1470	7.0/4.0	3.9	1.0	1.1
CS24K6E-TF5	B	19100	4810	5600	3020	12.6/—	6.3	1.6	1.9
	C	6880	1730	2020	1860	10.8/—	3.7	0.9	1.1
CS27K6E-TF5/D	B	22300	5620	6530	3590	16.7/8.8	6.2	1.6	1.8
	C	8840	2230	2590	2210	11.0/5.8	4.0	1.0	1.2
CS33K6E-TF5/D	B	25700	6480	7530	4100	20.5/10.8	6.3	1.6	1.8
	C	10100	2550	2960	2520	12.5/6.6	4.0	1.0	1.2

* Ampere values shown are at 220 volts/380 volts.

RATING CONDITION	RATING STANDARD	EVAPORATING TEMPERATURE °F/°C	CONDENSING TEMPERATURE °F/°C	AMBIENT TEMPERATURE °F/°C	LIQUID TEMPERATURE °F/°C	RETURN GAS TEMPERATURE °F/°C
B	ARI	20	120	95	120	40
		-6.7	48.9	35.0	48.9	4.4
C	EXTENDED MEDIUM TEMPERATURE	-10	120	95	120	40
		-23.3	48.9	35.0	48.9	4.4

See expanded performance data on pages 34 to 71.

See full operating range on page 73 and 74.

Production compressors to meet above nominal performance values within ±5 percent.

50 HERTZ

PERFORMANCE NOMINALS

R507

SINGLE PHASE					220-1-50 (PFJ) 220-1-50 (PFZ)	TEST VOLTAGE			
MODEL	RATING CONDITION	CAPACITY			MOTOR WATTS	AMPERES	ENERGY EFFICIENCY RATING		
		BTU HOUR	KCAL HOUR	WATTS			BTUH MOTOR WATTS	KCALH MOTOR WATTS	WATTS MOTOR WATTS
CS10K6E-PFJ	B	8410	2120	2460	1390	7.2	6.1	1.5	1.8
	C	2390	600	700	793	5.0	3.0	0.8	0.9
CS12K6E-PFJ	B	9870	2490	2890	1590	7.8	6.2	1.6	1.8
	C	3060	770	900	892	5.0	3.4	0.9	1.0
CS14K6E-PFJ	B	11800	2970	3460	1870	10.3	6.3	1.6	1.9
	C	4550	1150	1330	1160	6.6	3.9	1.0	1.1
CS18K6E-PFJ	B	15600	3930	4570	2320	13.3	6.7	1.7	2.0
	C	5360	1350	1570	1360	8.4	3.9	1.0	1.2
CS20K6E-PFZ	B C	DATA BEING DEVELOPED							

RATING CONDITION	RATING STANDARD	EVAPORATING TEMPERATURE °F/°C	CONDENSING TEMPERATURE °F/°C	AMBIENT TEMPERATURE °F/°C	LIQUID TEMPERATURE °F/°C	RETURN GAS TEMPERATURE °F/°C
B	ARI	20	120	95	120	40
		-6.7	48.9	35.0	48.9	4.4
C	EXTENDED MEDIUM TEMPERATURE	-10	120	95	120	40
		-23.3	48.9	35.0	48.9	4.4

See expanded performance data on pages 34 to 71.

See full operating range on page 73 and 74.

Production compressors to meet above nominal performance values within ±5 percent.

50 HERTZ

PERFORMANCE NOMINALS

R507

SINGLE PHASE					200-1-50 (PFV)		TEST VOLTAGE		
MODEL	RATING CONDITION	CAPACITY			MOTOR WATTS	AMPERES	ENERGY EFFICIENCY RATING		
		BTU HOUR	KCAL HOUR	WATTS			BTUH MOTOR WATTS	KCALH MOTOR WATTS	WATTS MOTOR WATTS
CS10K6E-PFV	B	8410	2120	2460	1390	7.9	6.1	1.5	1.8
	C	2390	600	700	793	5.5	3.0	0.8	0.9
CS12K6E-PFV	B	9870	2490	2890	1590	8.5	6.2	1.6	1.8
	C	3060	770	900	892	5.5	3.4	0.9	1.0
CS14K6E-PFV	B	11800	2970	3460	1870	11.8	6.3	1.6	1.9
	C	4550	1150	1330	1160	7.6	3.9	1.0	1.1
CS17K6E-PFV	B C	DATA BEING DEVELOPED							
CS18K6E-PFV	B	15600	3930	4570	2320	14.6	6.7	1.7	2.0
	C	5360	1350	1570	1360	9.2	3.9	1.0	1.2
CS20K6E-PFV	B	17200	4330	5040	2650	18.9	6.5	1.6	1.9
	C	6050	1520	1770	1570	11.2	3.9	1.0	1.1

RATING CONDITION	RATING STANDARD	EVAPORATING TEMPERATURE °F/°C	CONDENSING TEMPERATURE °F/°C	AMBIENT TEMPERATURE °F/°C	LIQUID TEMPERATURE °F/°C	RETURN GAS TEMPERATURE °F/°C
B	ARI	20	120	95	120	40
		-6.7	48.9	35.0	48.9	4.4
C	EXTENDED MEDIUM TEMPERATURE	-10	120	95	120	40
		-23.3	48.9	35.0	48.9	4.4

See expanded performance data on pages 34 to 71.

See full operating range on page 73 and 74.

Production compressors to meet above nominal performance values within ±5 percent.

50 HERTZ

PERFORMANCE NOMINALS

R507

THREE PHASE					220-3-50 (TF5) 380-3-50 (TFD)		TEST VOLTAGE		
MODEL	RATING CONDITION	CAPACITY			MOTOR WATTS	AMPERES*	ENERGY EFFICIENCY RATING		
		BTU HOUR	KCAL HOUR	WATTS			BTUH MOTOR WATTS	KCALH MOTOR WATTS	WATTS MOTOR WATTS
CS10K6E-TF5/D	B	8430	2120	2470	1340	5.1/2.9	6.3	1.6	1.8
	C	2420	610	710	764	3.1/1.8	3.2	0.8	0.9
CS12K6E-TF5	B	10100	2550	2960	1560	6.0	6.5	1.6	1.9
	C	3290	830	960	909	3.7	3.6	0.9	1.1
CS14K6E-TF5/D	B	11600	2920	3400	1810	7.2/4.2	6.4	1.6	1.9
	C	4450	1120	1300	1130	4.7/2.7	3.9	1.0	1.2
CS18K6E-TF5/D	B	15300	3860	4480	2250	8.6/5.0	6.8	1.7	2.0
	C	5320	1340	1560	1320	5.4/3.1	4.0	1.0	1.2
CS20K6E-TF5/D	B	16900	4260	4950	2520	10.0/5.8	6.7	1.7	2.0
	C	5940	1500	1740	1500	6.6/3.8	4.0	1.0	1.2

* Ampere values shown are at 220 volts/380 volts.

RATING CONDITION	RATING STANDARD	EVAPORATING TEMPERATURE °F/°C	CONDENSING TEMPERATURE °F/°C	AMBIENT TEMPERATURE °F/°C	LIQUID TEMPERATURE °F/°C	RETURN GAS TEMPERATURE °F/°C
B	ARI	20 -6.7	120 48.9	95 35.0	120 48.9	40 4.4
C	EXTENDED MEDIUM TEMPERATURE	-10 -23.3	120 48.9	95 35.0	120 48.9	40 4.4

See expanded performance data on pages 34 to 71.

See full operating range on page 73 and 74.

Production compressors to meet above nominal performance values within ±5 percent.

MECHANICAL SPECIFICATIONS

MODEL	NOMINAL HP KW	IN ³ CM ³ CUBIC INCHES PER REVOLUTION CUBIC CENTIMETERS PER REVOLUTION	CFH M ³ /HR CUBIC FEET PER HOUR CUBIC METERS PER HOUR 50 HERTZ 2900 RPM	NET WEIGHT POUNDS KILOGRAMS	MODEL	NOMINAL HP KW	IN ³ CM ³ CUBIC INCHES PER REVOLUTION CUBIC CENTIMETERS PER REVOLUTION	CFH M ³ /HR CUBIC FEET PER HOUR CUBIC METERS PER HOUR 50 HERTZ 2900 RPM	NET WEIGHT POUNDS KILOGRAMS
CF04K6E-PFV	0.33 0.25	2.227 36.49	224.2 6.35	66 30.0	CS14K6E-PFV	1.17 0.87	2.877 47.14	289.7 8.20	64 29.1
CF04K6E-TF5	0.33 0.25	2.227 36.49	224.2 6.35	64 29.1	CS14K6E-TF5	1.17 0.87	2.877 47.14	289.7 8.20	61 27.7
CF04K6E-TFD	0.33 0.25	2.227 36.49	224.2 6.35	64 29.1	CS14K6E-TFD	1.17 0.87	2.877 47.14	289.7 8.20	61 27.7
CF06K6E-PFV	0.50 0.37	3.028 49.62	306.5 8.68	66 30.0	CS17K6E-PFV	1.42 1.06	3.640 59.65	366.5 10.38	65 29.5
CF06K6E-TF5	0.50 0.37	3.028 49.62	306.5 8.68	64 29.1	CS18K6E-PFJ	1.50 1.12	3.640 59.65	366.5 10.38	65 29.5
CF06K6E-TFD	0.50 0.37	3.028 49.62	306.5 8.68	64 29.1	CS18K6E-PFV	1.50 1.12	3.640 59.65	366.5 10.38	65 29.5
CF09K6E-PFV	0.75 0.56	4.399 72.08	445.2 12.60	69 31.3	CS18K6E-TF5	1.50 1.12	3.640 59.65	366.5 10.38	63 28.6
CF09K6E-TF5	0.75 0.56	4.399 72.08	445.2 12.60	67 30.4	CS18K6E-TFD	1.50 1.12	3.640 59.65	366.5 10.38	63 28.6
CF09K6E-TFD	0.75 0.56	4.399 72.08	445.2 12.60	67 30.4	CS20K6E-PFV	1.67 1.24	4.399 72.08	442.9 12.54	67 30.4
CF12K6E-PFV	1.00 0.75	5.473 89.68	551.0 15.60	71 32.2	CS20K6E-PFZ	1.67 1.24	4.399 72.08	442.9 12.54	67 30.4
CF12K6E-TF5	1.00 0.75	5.473 89.68	551.0 15.60	69 31.3	CS20K6E-TF5	1.67 1.24	4.399 72.08	442.9 12.54	65 29.5
CF12K6E-TFD	1.00 0.75	5.473 89.68	551.0 15.60	69 31.3	CS20K6E-TFD	1.67 1.24	4.399 72.08	442.9 12.54	65 29.5
CS08KQE-PFV	0.67 0.50	2.011 32.95	202.5 5.73	62 28.1	CS24K6E-PFV	2.00 1.49	4.954 81.18	498.8 14.12	71 32.2
CS08KQE-PFZ	0.67 0.50	2.011 32.95	202.5 5.73	61 27.7	CS24K6E-PFZ	2.00 1.49	4.954 81.18	498.8 14.12	71 32.2
CS10K6E-PFJ	0.83 0.62	2.256 36.97	227.2 6.43	62 28.1	CS24K6E-TF5	2.00 1.49	4.954 81.18	498.8 14.12	71 32.2
CS10K6E-PFV	0.83 0.62	2.256 36.97	227.2 6.43	62 28.1	CS27K6E-PFV	2.25 1.68	5.594 91.66	566.2 16.03	72 32.7
CS10K6E-TF5	0.83 0.62	2.256 36.97	227.2 6.43	60 27.2	CS27K6E-PFZ	2.25 1.68	5.594 91.66	566.2 16.03	72 32.7
CS10K6E-TFD	0.83 0.62	2.256 36.97	227.2 6.43	60 27.2	CS27K6E-TF5	2.25 1.68	5.594 91.66	566.2 16.03	71 32.2
CS12K6E-PFJ	1.00 0.75	2.538 41.59	255.5 7.23	62 28.1	CS27K6E-TFD	2.25 1.68	5.594 91.66	566.2 16.03	71 32.2
CS12K6E-PFV	1.00 0.75	2.538 41.59	255.5 7.23	62 28.1	CS33K6E-PFV	2.75 2.05	6.221 101.94	626.3 17.73	72 32.7
CS12K6E-TF5	1.00 0.75	2.538 41.59	255.5 7.23	60 27.2	CS33K6E-TF5	2.75 2.05	6.221 101.94	626.3 17.73	71 32.2
CS14K6E-PFJ	1.17 0.87	2.877 47.14	289.7 8.20	64 29.1	CS33K6E-TFD	2.75 2.05	6.221 101.94	626.3 17.73	71 32.2

ELECTRICAL SPECIFICATIONS

VOLTAGE CODE	PFV		TF5		TFD					
NOMINAL VOLTAGE-	200-1-50		200/220-3-50*		380/420-3-50					
PHASE-HERTZ	208/230-1-60		200/230-3-60		380/460-3-60					
VOLTAGE RANGE										
50 HERTZ	180-220		180-242*		342-462					
60 HERTZ	198-253		180-253		342-506					
MODEL	RATED LOAD AMPS RLA	LOCKED ROTOR AMPS LRA	RATED LOAD AMPS RLA	LOCKED ROTOR AMPS LRA	RATED LOAD AMPS RLA	LOCKED ROTOR AMPS LRA				
CF04K6E	9.6	59.2	6.4	52.0	3.28	26.0				
CF06K6E	11.4	59.2	7.0	52.0	3.7	25.4				
CF09K6E	16.7	87.0	10.2	72.2	5.5	35.8				
CF12K6E	20.5	105.0	12.3	85.0	6.6	42.0				
VOLTAGE CODE	PFJ		PFV		PFZ		TF5		TFD	
NOMINAL VOLTAGE-	220/240-1-50		200-1-50		220/240-1-50		200/220-3-50*		380/420-3-50	
PHASE-HERTZ	265-1-60		208/230-1-60		-		200/230-3-60		460-3-60	
VOLTAGE RANGE										
50 HERTZ	198-264		180-220		198-264		180-242*		342-462	
60 HERTZ	239-292		198-253				180-253		414-506	
MODEL	RATED LOAD AMPS RLA	LOCKED ROTOR AMPS LRA	RATED LOAD AMPS RLA	LOCKED ROTOR AMPS LRA	RATED LOAD AMPS RLA	LOCKED ROTOR AMPS LRA	RATED LOAD AMPS RLA	LOCKED ROTOR AMPS LRA	RATED LOAD AMPS RLA	LOCKED ROTOR AMPS LRA
CS08KQE			10.1	54.0	9.2	44.0				
CS10K6E	10.1	55.0	10.9	56.0			7.5	51.0	3.59	25.0
CS12K6E	10.9	55.0	10.9	56.0			7.5	51.0		
CS14K6E	12.5	58.0	12.4	61.0			9.1	55.0	4.7	28.0
CS17K6E			16.0	82.0						
CS18K6E	13.6	64.0	16.0	82.0			10.4	65.5	4.7	33.0
CS20K6E			18.6	96.0	15.4	75.9	11.4	75.0	5.1	40.0
CS24K6E			23.9	121.0	21.5	111.3	14.5	105.0		
CS27K6E			23.9	121.0	21.5	111.3	15.6	82.0	7.7	52.0
CS33K6E			30.7	125.0			18.7	102.0	9.9	48.0

Rated load and locked rotor amps apply at 50 hertz.

* CF04, CF06, and CS14-TF5 models are rated 200/240-3-50 with a voltage range of 180-264.

50 HERTZ

ELECTRICAL COMPONENTS FOR AIR CONDITIONING AND HEAT PUMP SINGLE PHASE COMPRESSORS (PFJ, PFV, AND PFZ)

PFJ MODELS	RUN CAPACITOR				
	STANDARD			MAXIMUM	
	MFD	VOLTS	PART NUMBER	MFD	VOLTS
CS10K6E	30	370	014-0037-10	35	370
CS12K6E	30	370	014-0037-10	35	370
CS14K6E	35	370	014-0037-28	40	440
CS18K6E	35	370	014-0037-36	45	370

PFV MODELS	RUN CAPACITOR				
	STANDARD			MAXIMUM	
	MFD	VOLTS	PART NUMBER	MFD	VOLTS
CF04K6E	30	370	014-0037-10	35	370
CF06K6E	30	370	014-0037-10	35	370
CF09K6E	40	370	014-0037-12	45	370
CF12K6E	40	440	014-0037-18	45	440
CS08KQE	30	370	014-0037-10	30	370
CS10K6E	30	370	014-0037-10	35	370
CS12K6E	30	370	014-0037-10	35	370
CS14K6E	35	370	014-0037-11	40	370
CS17K6E	35	440	014-0037-17	45	440
CS18K6E	35	370	014-0037-11	40	370
CS20K6E	40	370	014-0037-12	45	370
CS24K6E	40	440	014-0037-18	45	440
CS27K6E	40	440	014-0037-18	45	440
CS33K6E	55	440	014-0037-21	60	440

PFZ MODELS	RUN CAPACITOR				
	STANDARD			MAXIMUM	
	MFD	VOLTS	PART NUMBER	MFD	VOLTS
CS08KQE	30	440	014-0037-16	30	440
CS20K6E	40	370	014-0037-12	40	370
CS24K6E	60	370	014-0037-37	65	370
CS27K6E	60	370	014-0037-37	65	370

50 HERTZ

ELECTRICAL COMPONENTS FOR AIR CONDITIONING AND HEAT PUMP SINGLE PHASE COMPRESSORS (PFJ, PFV, AND PFZ)

HIGH STARTING TORQUE COMPONENTS				LOW STARTING TORQUE COMPONENTS			
START CAPACITOR			START RELAY PART NUMBER	START CAPACITOR			START RELAY PART NUMBER
MFD	VOLTS	PART NUMBER		MFD	VOLTS	PART NUMBER	
130-156	250	014-0036-18	040-0166-14	43-52	330	014-0061-16	040-0166-15
130-156	250	014-0036-18	040-0166-14	43-52	330	014-0061-16	040-0166-15
145-174	220	014-0061-04	040-0166-19				
145-174	250	014-0036-20	040-0166-15	43-52	330	014-0061-16	040-0166-15

HIGH STARTING TORQUE COMPONENTS				LOW STARTING TORQUE COMPONENTS			
START CAPACITOR			START RELAY PART NUMBER	START CAPACITOR			START RELAY PART NUMBER
MFD	VOLTS	PART NUMBER		MFD	VOLTS	PART NUMBER	
145-174	220	014-0061-04	040-0166-15				
145-174	220	014-0061-04	040-0166-15				
145-174	250	014-0036-20	040-0166-15				
189-227	330	014-0006-13	040-0166-19				
145-174	250	014-0036-20	040-0166-15	43-52	220	014-0061-12	040-0166-15
145-174	220	014-0061-04	040-0166-19	43-52	330	014-0061-16	040-0166-19
145-174	220	014-0061-04	040-0166-19	43-52	330	014-0061-16	040-0166-19
145-174	250	014-0036-20	040-0166-15	43-52	330	014-0061-16	040-0166-15
189-227	330	014-0006-13	040-0166-14	43-52	330	014-0061-16	040-0166-14
145-174	250	014-0036-20	040-0166-15	43-52	330	014-0061-16	040-0166-15
189-227	330	014-0006-13	040-0166-15	64-77	330	014-0061-13	040-0166-15
189-227	330	014-0006-13	040-0166-23				
189-227	330	014-0006-13	040-0166-23				
270-324	330	014-0006-15	040-0166-27				

HIGH STARTING TORQUE COMPONENTS				LOW STARTING TORQUE COMPONENTS			
START CAPACITOR			START RELAY PART NUMBER	START CAPACITOR			START RELAY PART NUMBER
MFD	VOLTS	PART NUMBER		MFD	VOLTS	PART NUMBER	
145-174	330	014-0006-16	040-0166-15	72-86	330	014-0061-20	040-0166-15
216-259	330	014-0006-14	040-0166-14	64-77	330	014-0061-13	040-0166-14
189-227	330	014-0006-13	040-0166-19				
189-227	330	014-0006-13	040-0166-19				

“STANDARD” BILLS OF MATERIAL

The bill of material number shown includes items shown by the X.

MODEL	BILL OF MATERIAL NUMBER	STUB TUBE CONNECTIONS STRAIGHT SUCTION AND ELBOW-UP DISCHARGE AND PROCESS	STUB TUBE CONNECTIONS ALL ELBOW-UP	ROTALOCK CONNECTIONS WITH GAGE PORTS AND GAGE PORT BRASS CAPS	CRANKCASE HEATER, HEATER WELL, AND RETAINER	RUN CAPACITOR, HIGH TORQUE START CAPACITOR, AND START RELAY	RUN CAPACITOR, HIGH TORQUE START CAPACITOR AND START RELAY ASSEMBLY	OIL SIGHT GLASS	SERVICE VALVE KIT 510-0331-04	GROUNDING SCREW AND WASHER	PUSH-ON ELECTRICAL TERMINAL CONNECTIONS	CONDUIT-READY TERMINAL COVER
CF04 TO CF12 AND CS08 TO CS27	501	X									X	
	502		X								X	
	503		X		X						X	X
	505			X							X	
	506	X			X						X	
	507			X	X						X	
	509			X	X				X		X	
	518			X			X		X	X	X	
	522	X			X					X	X	
	523			X	X					X	X	
	525		X		X					X	X	
	546	X			X	X					X	
	549			X	X	X			X		X	
	550	X			X			X		X	X	
	551			X	X			X		X	X	
	552			X	X			X	X	X	X	
	553			X	X	X		X	X	X	X	
	579			X	X				X		X	

“STANDARD” BILLS OF MATERIAL

The bill of material number shown includes items shown by the X.

MODEL	BILL OF MATERIAL NUMBER	STUB TUBE CONNECTIONS STRAIGHT SUCTION AND ELBOW-UP DISCHARGE AND PROCESS	STUB TUBE CONNECTIONS ALL ELBOW-UP	ROVALOCK CONNECTIONS WITH GAGE PORTS AND GAGE PORT BRASS CAPS	CRANKCASE HEATER, HEATER WELL, AND RETAINER	RUN CAPACITOR, HIGH TORQUE START CAPACITOR, AND START RELAY	RUN CAPACITOR, HIGH TORQUE START CAPACITOR AND START RELAY ASSEMBLY	OIL SIGHT GLASS	SERVICE VALVE KIT 510-0331-07	GROUNDING SCREW AND WASHER	PUSH-ON ELECTRICAL TERMINAL CONNECTIONS	TERMINAL CONNECTOR BLOCK WITH SCREWS	CONDUIT-READY TERMINAL COVER
CS33	501	X										X	
	502		X									X	
	503		X		X							X	X
	505			X								X	
	506	X			X							X	
	507			X	X							X	
	509			X	X				X			X	
	518			X			X		X	X		X	
	522	X			X					X		X	
	523			X	X					X		X	
	525		X		X					X		X	
	546	X			X	X						X	
	549			X	X	X			X			X	
	550	X			X	X		X		X	X	X	
	551				X	X		X		X	X	X	
	552				X	X		X	X	X		X	
	553				X	X	X	X	X	X		X	
	579				X	X		X		X		X	
597	X				X					X	X		

BILL OF MATERIAL PROVISIONS	ACCESSORY INFORMATION
<p>Copeland is pleased to offer the bills of material shown on the previous page that offer a complete and versatile choice to compressor selection.</p> <p>In addition to the marked features, each compressor will include the following:</p> <ul style="list-style-type: none"> • Internal motor protector • Terminal box and cover complete with gasket and wiring diagram. • Four foot 'A' mounting arrangement. • Refrigeration oil POE <ul style="list-style-type: none"> • Initial oil charge <ul style="list-style-type: none"> • 45 ounces (1.33 liters) • For service use the refill oil charge after compressor has been drained. <ul style="list-style-type: none"> • 41 ounces (1.21 liters) • Rubber grommet mounting parts with sleeves. <ul style="list-style-type: none"> • CF04, 06, 09 527-0044-08 CS10 through CS20 • CF12, CS27, 33 527-0044-00 • Grounding tab located in the compressor terminal box. <p>See outline drawing pages 24 to 27 for stub tube and rotalock connection sizes.</p>	<ul style="list-style-type: none"> • The crankcase heater when provided in the bill of material is part number 018-0031-02 and is rated at 27 watts and 100 to 600 volts. The heater is self regulating providing only the amount of heat required and can only be used when a heater well is factory provided in the lower part of the compressor shell. Retainer part number 032-0463-00 is used to hold the heater in the heater well. • For added isolation of the compressor from other interconnected objects spring mounting part kits are available. They must be ordered separately and are used in place of the rubber grommet mounting parts. The kit part number for a set of four spring mounting parts for CF and CS compressors is 527-0107-00. <p>Note: Series 0107 spring mounting parts add 0.5 inches (12.7 mm), to the compressor height when compared to rubber grommet mounting parts.</p> <ul style="list-style-type: none"> • Information on selecting capacitors, relays and service valves can be found on the following pages. <ul style="list-style-type: none"> • Capacitors Pages 18 and 19 • Relays Pages 18 and 19 • Service Valves Page 23

ROTALOCK SERVICE VALVES

If your CF or CS Rotalock connection compressor bill of material does not include valves or a bill of material does not come with valves you prefer, please order the valves separately by choosing them from the tables below.

Valve Style

Table A illustrates the style for each valve listed in Tables B and C. The drawings in this table will show gage port quantity and location. The gage ports are 1/4 inch flare fittings and include brass caps.

Valve Kits

The kits listed in Table B below include rotalock suction and discharge service valves and seals for the CF/CS models shown. Use of these with your CF/CS rotalock connection compressors will simplify your order and inventory process.

Special Valves

If the kits are not ordered, special valves and seals should be selected from Table C below to fit the rotalock connections supplied on the CF/CS compressor. A suggestion is to select valves having the same line sizes as the connections supplied on compressors with stub tubes. Be sure to match rotalock connection sizes.

TABLE A

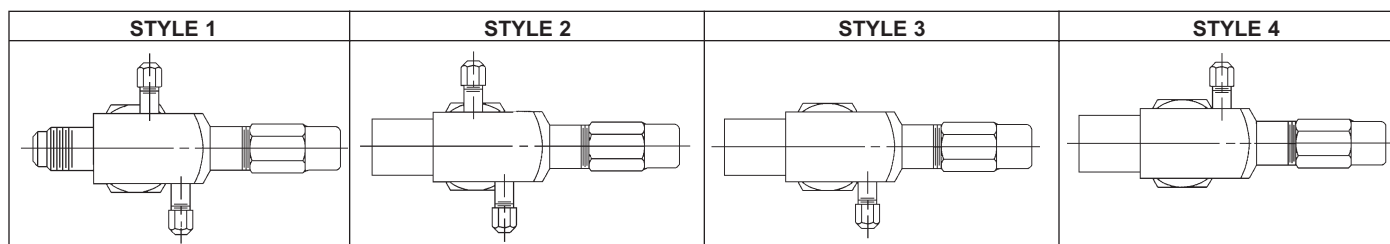


TABLE B

KIT PART NUMBER	SUCTION VALVE			DISCHARGE VALVE			ROTALOCK CONNECTION SIZE IN INCHES AND SEAL PART NUMBER		SUGGESTED USAGE
	SIZE IN INCHES	TYPE AND VALVE PART NUMBER	STYLE	SIZE IN INCHES	TYPE AND VALVE PART NUMBER	STYLE	SUCTION	DISCHARGE	
510-0331-09	3/4	Solder 510-0080-09	3	3/8	Solder 510-0133-08	2	1 1/4-12 020-0028-02	1-14 020-0028-00	CF04 TO CF12, CS08 TO CS27
510-0331-10	7/8	Solder 510-0133-11	2	1/2	Solder 510-0133-09	2			CS33

TABLE C

ROTALOCK CONNECTION SIZE IN INCHES	VALVE PART NUMBER	SIZE IN INCHES	TYPE	STYLE	SEAL PART NUMBER (ONE PER VALVE REQUIRED)
1-14 Discharge	510-0132-05	3/8	Flare	1	020-0028-00
	510-0133-08	3/8	Solder	2	
	510-0132-03	1/2	Flare	1	
	510-0133-09	1/2	Solder	2	
	510-0132-04	5/8	Flare	1	
	510-0133-10	5/8	Solder	2	
1 1/4-12 Suction	510-0133-13	7/8	Solder	2	020-0028-02
	510-0105-05	5/8	Solder	4	
	510-0080-09	3/4	Solder	3	
	510-0080-08	7/8	Solder	3	
	510-0133-11	7/8	Solder	2	
	510-0105-04	7/8	Solder	4	
	510-0080-10	1 1/8	Solder	3	
510-0133-12	1 1/8	Solder	2		

NOTES:

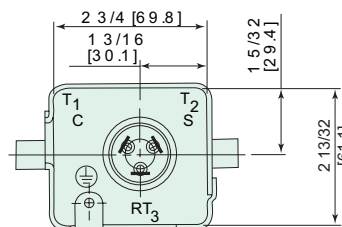
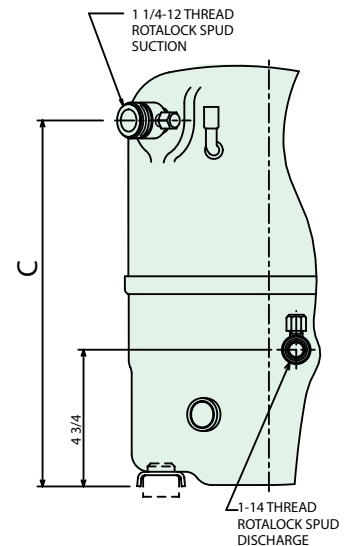
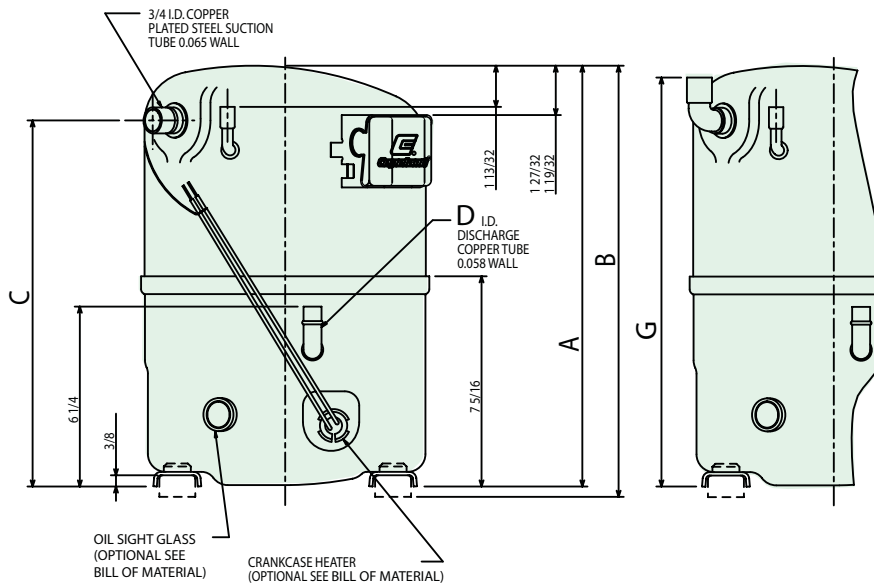
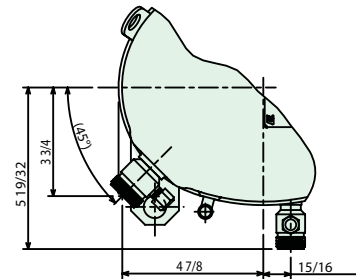
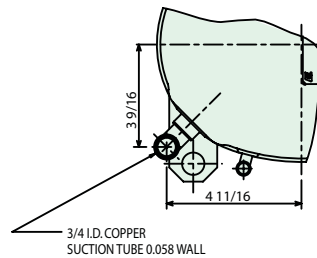
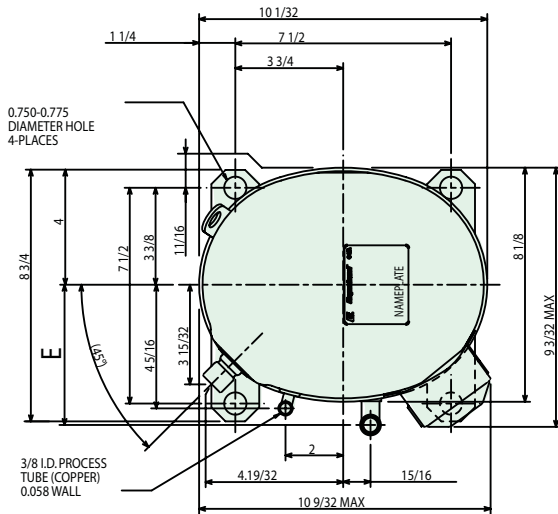
1. NOMINAL DIMENSIONS ARE SHOWN. MAXIMUM OVERALL TOLERANCE RANGE IS $\pm 3/16$ [4.75]. CONTACT COPELAND INTERNATIONAL IF A MORE SPECIFIC TOLERANCE RANGE IS REQUIRED.
2. STUB TUBE AND ROTALOCK FITTINGS ARE SHOWN. BILLS OF MATERIAL PAGES 18 AND 19 SHOW B/M NUMBERS FOR EACH TYPE OF FITTING.

THIRD ANGLE PROJECTION



DIMENSIONAL INFORMATION

MODEL NUMBER	A	B	C	D	E	F
CF04K6E	13 5/16	13 11/16	11 3/8	3/8	4 7/8	12 7/8
CF06K6E	13 5/16	13 11/16	11 3/8	3/8	4 7/8	12 7/8
CF09K6E	13 13/16	14 3/16	11 7/8	1/2	5 3/16	13 3/8
CF12K6E	14 5/16	14 11/16	12 3/8	1/2	5 3/16	13 7/8



TYPICAL TERMINAL BOX LAYOUT

FOR THE INTERNATIONAL MARKET
CF04 TO CF12
 REFRIGERATION MODELS

NOTES:

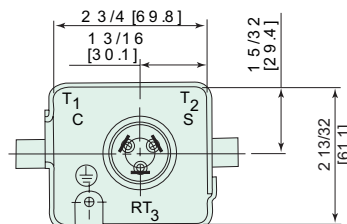
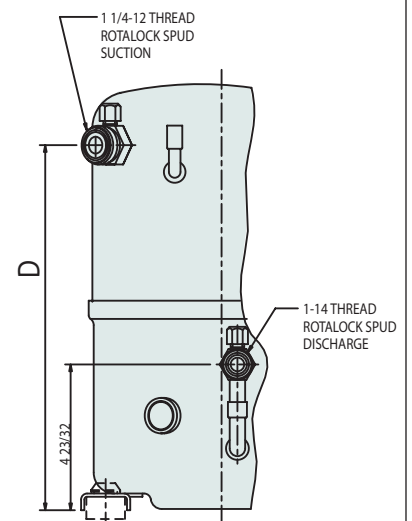
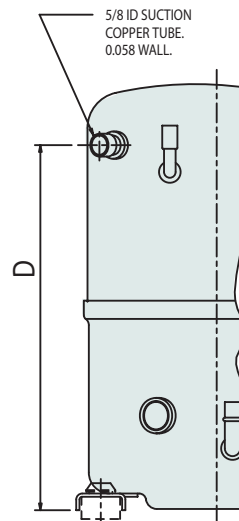
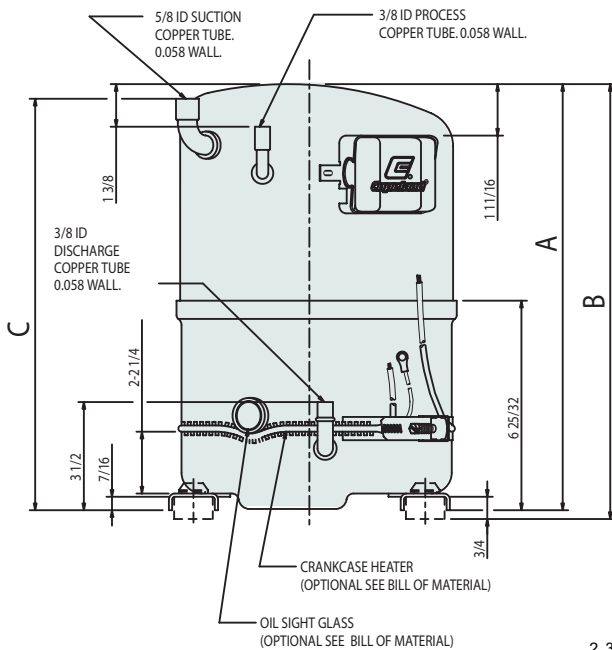
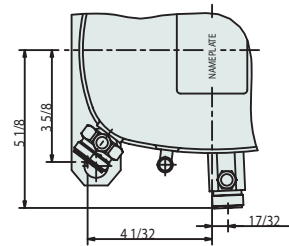
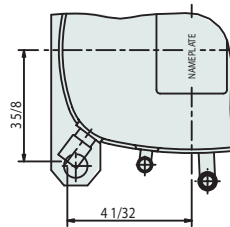
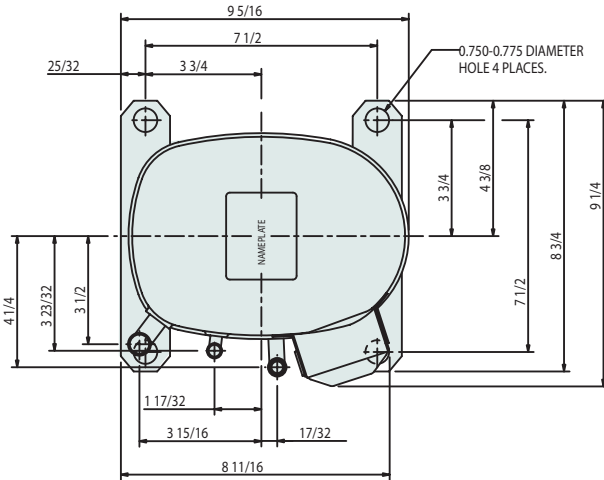
1. NOMINAL DIMENSIONS ARE SHOWN. MAXIMUM OVERALL TOLERANCE RANGE IS $\pm 3/16$ [4.75]. CONTACT COPELAND INTERNATIONAL IF A MORE SPECIFIC TOLERANCE RANGE IS REQUIRED.
2. STUB TUBE AND ROTALOCK FITTINGS ARE SHOWN. BILLS OF MATERIAL PAGES 18 AND 19 SHOW B/M NUMBERS FOR EACH TYPE OF FITTING.

THIRD ANGLE PROJECTION



DIMENSIONAL INFORMATION

MODEL NUMBER	A	B	C	D
CS08KQ-PFV	13 1/2	13 3/4	13	11 1/2
CS08KQ-PFZ	13 1/4	13 7/16	12 3/4	11 1/4



TYPICAL TERMINAL BOX LAYOUT

FOR THE INTERNATIONAL MARKET

CS08
REFRIGERATION MODELS

NOTES:

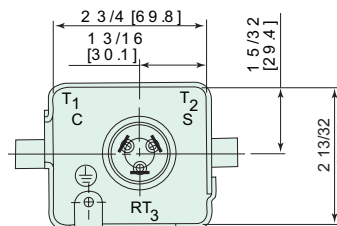
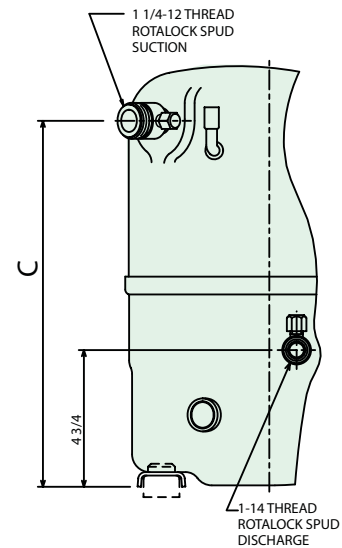
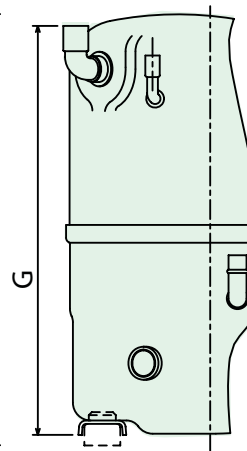
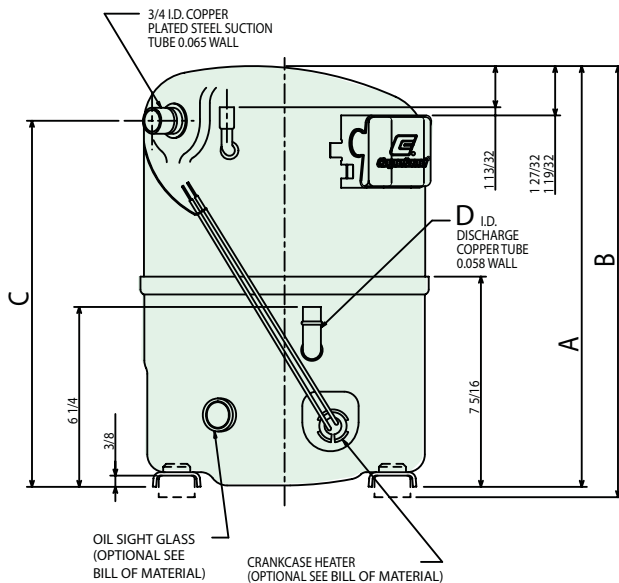
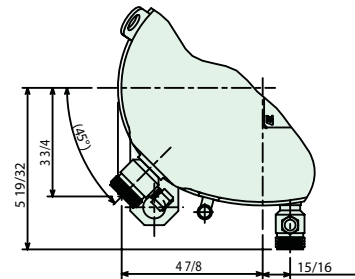
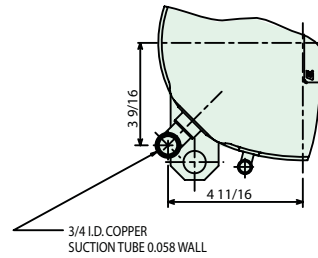
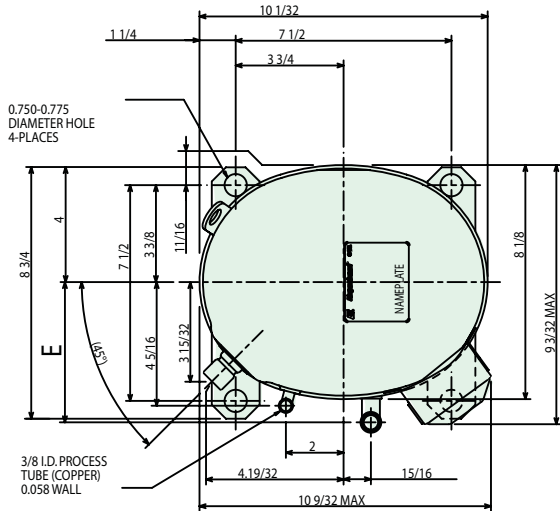
1. NOMINAL DIMENSIONS ARE SHOWN. MAXIMUM OVERALL TOLERANCE RANGE IS $\pm 3/16$ [4.75]. CONTACT COPELAND INTERNATIONAL IF A MORE SPECIFIC TOLERANCE RANGE IS REQUIRED.
2. STUB TUBE AND ROTALOCK FITTINGS ARE SHOWN. BILLS OF MATERIAL PAGES 18 AND 19 SHOW B/M NUMBERS FOR EACH TYPE OF FITTING.

THIRD ANGLE PROJECTION



DIMENSIONAL INFORMATION

MODEL NUMBER	A	B	C	D	E	G
CS10K6E	13 ⁵ / ₁₆	13 ¹¹ / ₁₆	11 ¹ / ₄	³ / ₈	4 ⁷ / ₈	12 ³ / ₄
CS12K6E	13 ⁵ / ₁₆	13 ¹¹ / ₁₆	11 ¹ / ₄	³ / ₈	4 ⁷ / ₈	12 ³ / ₄
CS14K6E	13 ⁷ / ₁₆	13 ¹³ / ₁₆	11 ¹ / ₂	³ / ₈	4 ⁷ / ₈	13
CS17K6E	13 ¹³ / ₁₆	14 ³ / ₁₆	11 ⁷ / ₈	¹ / ₂	5 ³ / ₁₆	13 ³ / ₈
CS18K6E	13 ¹³ / ₁₆	14 ³ / ₁₆	11 ⁷ / ₈	¹ / ₂	5 ³ / ₁₆	13 ³ / ₈
CS20K6E	14 ¹ / ₁₆	14 ⁷ / ₁₆	12 ¹ / ₈	¹ / ₂	5 ³ / ₁₆	13 ⁵ / ₈
CS24K6E	14 ¹³ / ₁₆	15 ³ / ₁₆	12 ⁷ / ₈	¹ / ₂	5 ³ / ₁₆	14 ³ / ₈
CS27K6E	14 ¹³ / ₁₆	15 ³ / ₁₆	12 ⁷ / ₈	¹ / ₂	5 ³ / ₁₆	14 ³ / ₈



TYPICAL TERMINAL BOX LAYOUT

FOR THE INTERNATIONAL MARKET
CS10 TO CS27
 REFRIGERATION MODELS

NOTES:

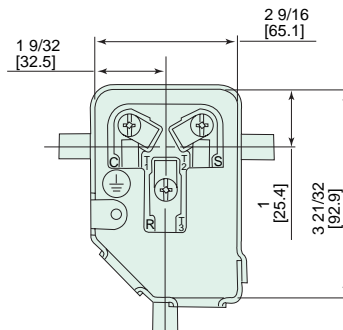
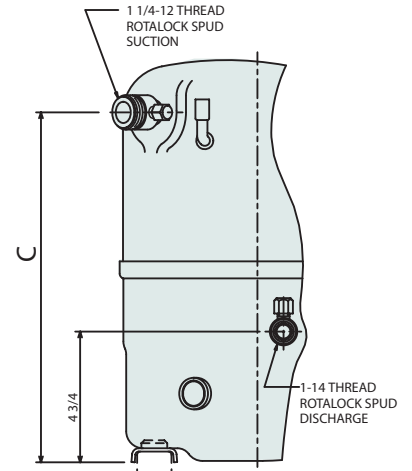
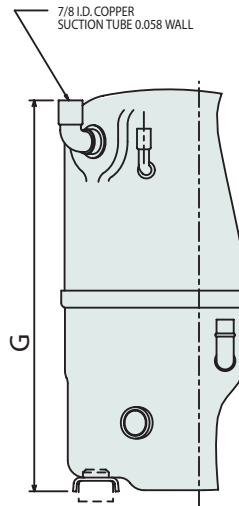
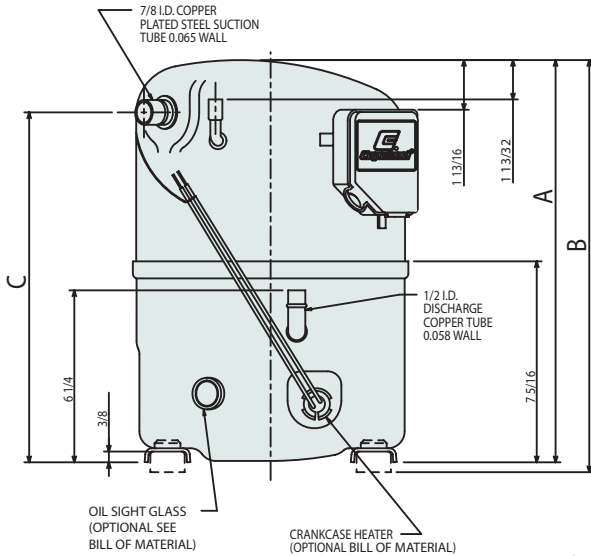
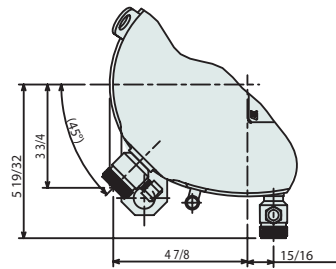
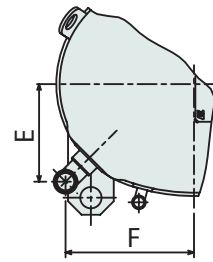
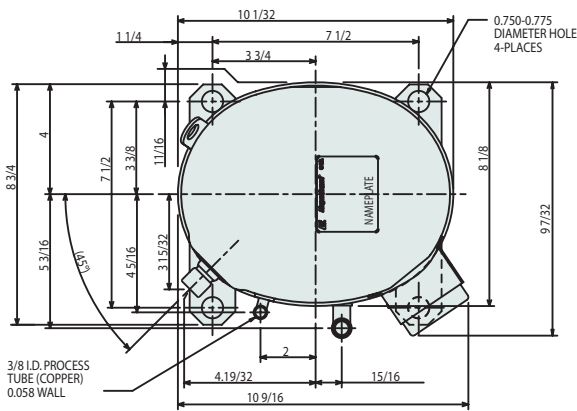
1. NOMINAL DIMENSIONS ARE SHOWN. MAXIMUM OVERALL TOLERANCE RANGE IS $\pm 3/16$ [4.75]. CONTACT COPELAND INTERNATIONAL IF A MORE SPECIFIC TOLERANCE RANGE IS REQUIRED.
2. STUB TUBE AND ROTALOCK FITTINGS ARE SHOWN. BILLS OF MATERIAL PAGES 18 TO 21 SHOW B/M NUMBERS FOR EACH TYPE OF FITTING.

THIRD ANGLE PROJECTION



DIMENSIONAL INFORMATION

MODEL NUMBER	A	B	C	E	F	G
CS33K6E-PFV	14 ¹³ / ₁₆	15 ³ / ₁₆	12 ⁷ / ₈	3 ³ / ₈	4 ¹ / ₂	14 ⁵ / ₈
CS33K6E-TF5	14 ¹³ / ₁₆	15 ³ / ₁₆	12 ⁷ / ₈	3 ³ / ₈	4 ¹ / ₂	14 ⁵ / ₈
CS33K6E-TFD	14 ¹³ / ₁₆	15 ³ / ₁₆	12 ⁷ / ₈	3 ³ / ₈	4 ¹ / ₂	14 ⁵ / ₈



TYPICAL TERMINAL BOX LAYOUT

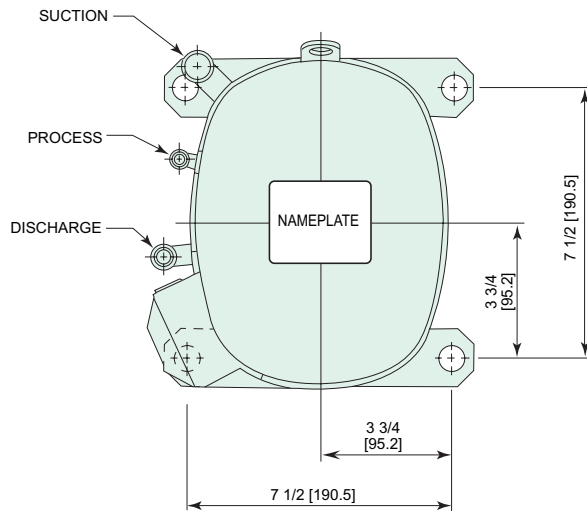
FOR THE INTERNATIONAL MARKET

CS33
REFRIGERATION MODELS

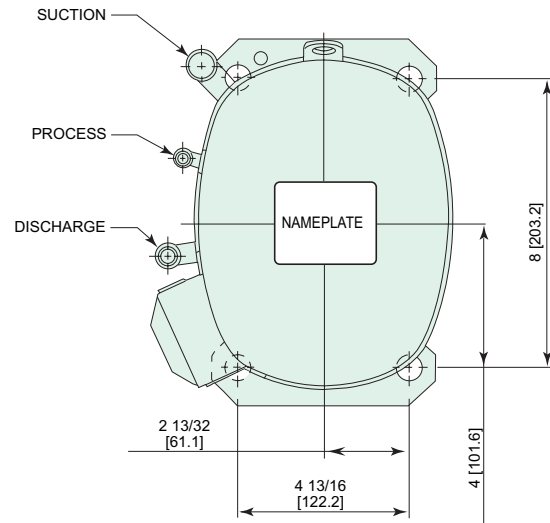
NOTES:

- 1. ALL TOLERANCES ± 0.125 [3.18] UNLESS OTHERWISE SPECIFIED.
- 2. STUB TUBE CONNECTIONS ARE SHOWN.
- 3. LINEAR MEASUREMENTS IN [] ARE MILLIMETER CONVERSIONS.

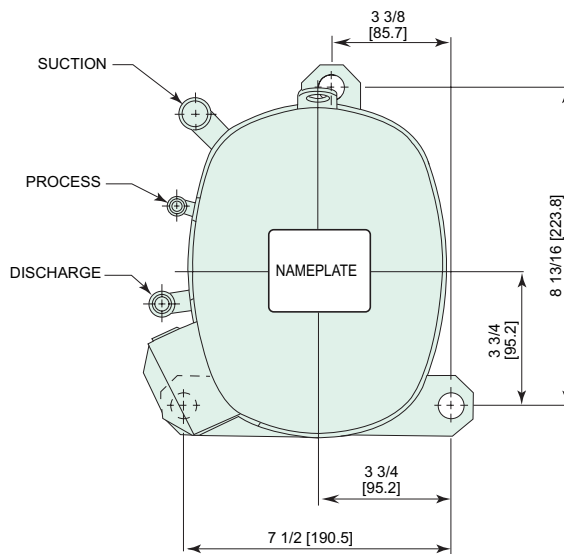
MOUNTING INFORMATION



4 FOOT "A" MOUNTING ARRANGEMENT



4 FOOT "E" MOUNTING ARRANGEMENT



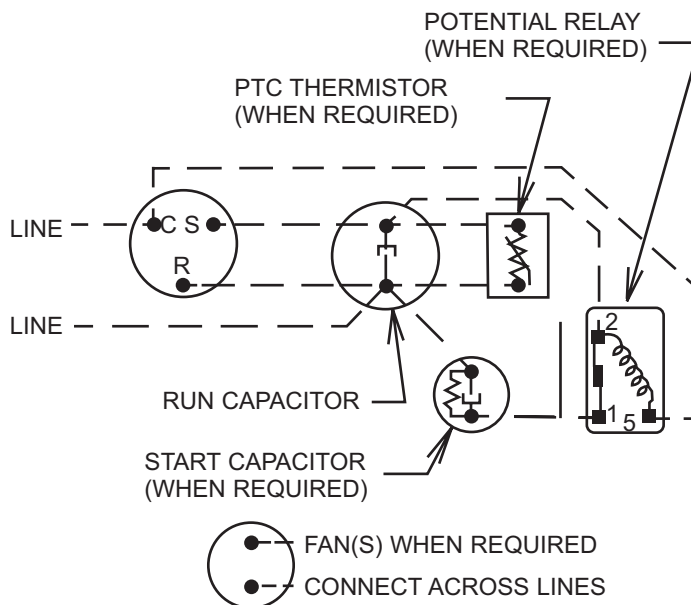
3 FOOT "G" MOUNTING ARRANGEMENT
ALL EXCEPT CS33

FOR THE INTERNATIONAL MARKET

CF/CS
COMPRESSOR MOUNTING OPTIONS

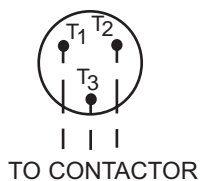
COMPRESSOR WIRING DIAGRAMS

SINGLE PHASE MOTOR



CRANKCASE HEATER, WHEN PROVIDED, MUST BE FIELD CONNECTED TO SEPARATE VOLTAGE SOURCE
 USE THIS EQUIPMENT ON A GROUNDING SYSTEM ONLY
 USE COPPER CONDUCTORS ONLY

THREE PHASE MOTOR



FAN(S) WHEN REQUIRED
 LEADS ARE CONNECTED TO TERMINALS OF DIFFERENT POLARITY ON LOAD SIDE OF CONTACTOR OR THROUGH A SUITABLE TRANSFORMER TO LOAD SIDE OF CONTACTOR

CRANKCASE HEATER, WHEN PROVIDED, MUST BE FIELD CONNECTED TO SEPARATE VOLTAGE SOURCE
 USE THIS EQUIPMENT ON A GROUNDING SYSTEM ONLY
 USE COPPER CONDUCTORS ONLY

50 HERTZ

PERFORMANCE DATA

R404A

40 °F (4.4 °C) Return Gas

0 °F (0 °K) Subcooling

95° F (35° C) Ambient (Air Over)

200-1-50 (PFV) Rated Voltage

200-1-50 (PFV) Test Voltage

CF04K6E-PFV

CAPACITY (BTU/HOUR)

CONDENSING TEMPERATURE °F/°C	EVAPORATING TEMPERATURE °F/°C								
	-30 -34.4	-25 -31.7	-20 -28.9	-15 -26.1	-10 -23.3	-5 -20.6	0 -17.8	5 -15.0	10 -12.2
80 (26.7)	3000	3770	4570	5450	6420	7520	8770	10200	11900
100 (37.8)	2010	2670	3350	4090	4910	5850	6930	8180	9640
120 (48.9)	1020	1490	1970	2500	3090	3790	4630	5620	6810

CAPACITY (KCAL/HOUR)

°F/°C	-30 -34.4	-25 -31.7	-20 -28.9	-15 -26.1	-10 -23.3	-5 -20.6	0 -17.8	5 -15.0	10 -12.2
	80 (26.7)	760	950	1150	1370	1620	1900	2210	2570
100 (37.8)	510	670	840	1030	1240	1470	1750	2060	2430
120 (48.9)	260	380	500	630	780	960	1170	1420	1720

CAPACITY (WATTS)

°F/°C	-30 -34.4	-25 -31.7	-20 -28.9	-15 -26.1	-10 -23.3	-5 -20.6	0 -17.8	5 -15.0	10 -12.2
	80 (26.7)	880	1100	1340	1600	1880	2200	2570	2990
100 (37.8)	590	780	980	1200	1440	1710	2030	2400	2820
120 (48.9)	300	440	580	730	910	1110	1360	1650	2000

POWER (MOTOR WATTS)

°F/°C	-30 -34.4	-25 -31.7	-20 -28.9	-15 -26.1	-10 -23.3	-5 -20.6	0 -17.8	5 -15.0	10 -12.2
	80 (26.7)	614	687	756	819	878	931	979	1020
100 (37.8)	599	683	767	851	933	1020	1100	1180	1250
120 (48.9)	559	646	737	832	931	1030	1140	1250	1360

CF04K6E-TF5/D

200/240-3-50 (TF5) 380/420-3-50 (TFD)	Rated Voltage	220-3-50 (TF5) 380-3-50 (TFD)	Test Voltage
--	---------------	----------------------------------	--------------

CAPACITY (BTU/HOUR)

CONDENSING TEMPERATURE °F/°C	EVAPORATING TEMPERATURE °F/°C								
	-30 -34.4	-25 -31.7	-20 -28.9	-15 -26.1	-10 -23.3	-5 -20.6	0 -17.8	5 -15.0	10 -12.2
80 (26.7)	2810	3470	4220	5060	6000	7060	8250	9580	11100
100 (37.8)	1990	2550	3170	3870	4670	5580	6590	7740	9020
120 (48.9)	1180	1560	2000	2520	3110	3800	4590	5490	6520

CAPACITY (KCAL/HOUR)

°F/°C	-30 -34.4	-25 -31.7	-20 -28.9	-15 -26.1	-10 -23.3	-5 -20.6	0 -17.8	5 -15.0	10 -12.2
	80 (26.7)	710	870	1060	1280	1510	1780	2080	2410
100 (37.8)	500	640	800	980	1180	1410	1660	1950	2270
120 (48.9)	300	390	500	640	780	960	1160	1380	1640

CAPACITY (WATTS)

°F/°C	-30 -34.4	-25 -31.7	-20 -28.9	-15 -26.1	-10 -23.3	-5 -20.6	0 -17.8	5 -15.0	10 -12.2
	80 (26.7)	820	1020	1240	1480	1760	2070	2420	2810
100 (37.8)	580	750	930	1130	1370	1630	1930	2270	2640
120 (48.9)	350	460	590	740	910	1110	1340	1610	1910

POWER (MOTOR WATTS)

°F/°C	-30 -34.4	-25 -31.7	-20 -28.9	-15 -26.1	-10 -23.3	-5 -20.6	0 -17.8	5 -15.0	10 -12.2
	80 (26.7)	585	651	712	771	826	877	925	970
100 (37.8)	570	648	726	804	882	959	1040	1120	1200
120 (48.9)	531	615	702	793	888	986	1090	1190	1300

Production compressors to meet above nominal performance values within ± 5%.

50 HERTZ

PERFORMANCE DATA

R404A

40 °F (4.4 °C) Return Gas

0 °F (0 °K) Subcooling

95° F (35° C) Ambient (Air Over)

200-1-50 (PFV) Rated Voltage

200-1-50 (PFV) Test Voltage

CF06K6E-PFV

CAPACITY (BTU/HOUR)

CONDENSING TEMPERATURE °F/°C	EVAPORATING TEMPERATURE °F/°C								
	-30 -34.4	-25 -31.7	-20 -28.9	-15 -26.1	-10 -23.3	-5 -20.6	0 -17.8	5 -15.0	10 -12.2
80 (26.7)	4940	6000	7180	8460	9810	11200	12700	14200	15800
100 (37.8)	3390	4290	5300	6410	7610	8880	10200	11600	13000
120 (48.9)	2200	2840	3600	4470	5430	6460	7560	8700	9880

CAPACITY (KCAL/HOUR)

°F/°C	EVAPORATING TEMPERATURE °F/°C								
	-30 -34.4	-25 -31.7	-20 -28.9	-15 -26.1	-10 -23.3	-5 -20.6	0 -17.8	5 -15.0	10 -12.2
80 (26.7)	1240	1510	1810	2130	2470	2820	3200	3580	3980
100 (37.8)	850	1080	1340	1620	1920	2240	2570	2920	3280
120 (48.9)	550	720	910	1130	1370	1630	1910	2190	2490

CAPACITY (WATTS)

°F/°C	EVAPORATING TEMPERATURE °F/°C								
	-30 -34.4	-25 -31.7	-20 -28.9	-15 -26.1	-10 -23.3	-5 -20.6	0 -17.8	5 -15.0	10 -12.2
80 (26.7)	2090	2580	3110	3690	4340	4980	5680	6420	7180
100 (37.8)	1500	1890	2330	2810	3340	3900	4480	5100	5770
120 (48.9)	1010	1300	1630	2000	2410	2860	3340	3840	4370

POWER (MOTOR WATTS)

°F/°C	EVAPORATING TEMPERATURE °F/°C								
	-30 -34.4	-25 -31.7	-20 -28.9	-15 -26.1	-10 -23.3	-5 -20.6	0 -17.8	5 -15.0	10 -12.2
80 (26.7)	1030	1130	1230	1320	1410	1490	1540	1570	1570
100 (37.8)	980	1100	1220	1350	1480	1590	1700	1790	1850
120 (60.0)	910	1030	1170	1310	1460	1610	1750	1880	2000

CF06K6E-TF5/D

200/240-3-50 (TF5) 380/420-3-50 (TFD) Rated Voltage	220-3-50 (TF5) 380-3-50 (TFD) Test Voltage
--	---

CAPACITY (BTU/HOUR)

CONDENSING TEMPERATURE °F/°C	EVAPORATING TEMPERATURE °F/°C								
	-30 -34.4	-25 -31.7	-20 -28.9	-15 -26.1	-10 -23.3	-5 -20.6	0 -17.8	5 -15.0	10 -12.2
80 (26.7)	5160	6200	7380	8690	10100	11700	13400	15100	17000
100 (37.8)	3510	4390	5390	6520	7760	9100	10500	12100	13700
120 (48.9)	2200	2840	3600	4470	5440	6500	7650	8880	10200

CAPACITY (KCAL/HOUR)

°F/°C	EVAPORATING TEMPERATURE °F/°C								
	-30 -34.4	-25 -31.7	-20 -28.9	-15 -26.1	-10 -23.3	-5 -20.6	0 -17.8	5 -15.0	10 -12.2
80 (26.7)	1300	1560	1860	2190	2550	2950	3380	3810	4280
100 (37.8)	880	1110	1360	1640	1960	2290	2650	3050	3450
120 (60.0)	550	720	910	1130	1370	1640	1930	2240	2570

CAPACITY (WATTS)

°F/°C	EVAPORATING TEMPERATURE °F/°C								
	-30 -34.4	-25 -31.7	-20 -28.9	-15 -26.1	-10 -23.3	-5 -20.6	0 -17.8	5 -15.0	10 -12.2
80 (26.7)	1510	1820	2160	2550	2960	3430	3930	4420	4980
100 (37.8)	1030	1290	1580	1910	2270	2670	3080	3550	4010
120 (60.0)	640	830	1050	1310	1590	1900	2240	2600	2990

POWER (MOTOR WATTS)

°F/°C	EVAPORATING TEMPERATURE °F/°C								
	-30 -34.4	-25 -31.7	-20 -28.9	-15 -26.1	-10 -23.3	-5 -20.6	0 -17.8	5 -15.0	10 -12.2
80 (26.7)	1010	1120	1230	1330	1430	1520	1600	1660	1690
100 (37.8)	944	1060	1190	1330	1460	1590	1710	1820	1910
120 (60.0)	854	979	1120	1270	1420	1580	1730	1880	2010

Production compressors to meet above nominal performance values within ± 5%.

50 HERTZ

PERFORMANCE DATA

R404A

40 °F (4.4 °C) Return Gas

0 °F (0 °K) Subcooling

95° F (35° C) Ambient (Air Over)

200-1-50 (PFV) Rated Voltage

200-1-50 (PFV) Test Voltage

CF09K6E-PFV

CAPACITY (BTU/HOUR)

CONDENSING TEMPERATURE °F/°C	EVAPORATING TEMPERATURE °F/°C								
	-30 -34.4	-25 -31.7	-20 -28.9	-15 -26.1	-10 -23.3	-5 -20.6	0 -17.8	5 -15.0	10 -12.2
80 (26.7)	7130	8790	10600	12600	14800	17000	19400	21900	24500
100 (37.8)	5120	6450	7940	9590	11400	13300	15300	17400	19700
120 (60.0)	3450	4420	5550	6820	8230	9750	11400	13100	14900

CAPACITY (KCAL/HOUR)

°F/°C	-30 -34.4	-25 -31.7	-20 -28.9	-15 -26.1	-10 -23.3	-5 -20.6	0 -17.8	5 -15.0	10 -12.2
	80 (26.7)	1800	2220	2670	3180	3730	4280	4890	5520
100 (37.8)	1290	1630	2000	2420	2870	3350	3860	4380	4960
120 (60.0)	870	1110	1400	1720	2070	2460	2870	3300	3750

CAPACITY (WATTS)

°F/°C	-30 -34.4	-25 -31.7	-20 -28.9	-15 -26.1	-10 -23.3	-5 -20.6	0 -17.8	5 -15.0	10 -12.2
	80 (26.7)	2090	2580	3110	3690	4340	4980	5680	6420
100 (37.8)	1500	1890	2330	2810	3340	3900	4480	5100	5770
120 (60.0)	1010	1300	1630	2000	2410	2860	3340	3840	4370

POWER (MOTOR WATTS)

°F/°C	-30 -34.4	-25 -31.7	-20 -28.9	-15 -26.1	-10 -23.3	-5 -20.6	0 -17.8	5 -15.0	10 -12.2
	80 (26.7)	1430	1570	1720	1860	1990	2110	2220	2300
100 (37.8)	1410	1570	1730	1900	2070	2230	2380	2520	2630
120 (60.0)	1330	1500	1680	1880	2070	2270	2470	2650	2820

CF09K6E-TF5/D

200/220-3-50 (TF5) 380/420-3-50 (TFD)	Rated Voltage	220-3-50 (TF5) 380-3-50 (TFD)	Test Voltage
--	---------------	----------------------------------	--------------

CAPACITY (BTU/HOUR)

CONDENSING TEMPERATURE °F/°C	EVAPORATING TEMPERATURE °F/°C								
	-30 -34.4	-25 -31.7	-20 -28.9	-15 -26.1	-10 -23.3	-5 -20.6	0 -17.8	5 -15.0	10 -12.2
80 (26.7)	7520	9060	10700	12600	14600	16700	19100	21500	24200
100 (37.8)	5390	6650	8050	9590	11300	13100	15000	17100	19400
120 (60.0)	3470	4450	5540	6750	8080	9530	11100	12800	14600

CAPACITY (KCAL/HOUR)

°F/°C	-30 -34.4	-25 -31.7	-20 -28.9	-15 -26.1	-10 -23.3	-5 -20.6	0 -17.8	5 -15.0	10 -12.2
	80 (26.7)	1900	2280	2700	3180	3680	4210	4810	5420
100 (37.8)	1360	1680	2030	2420	2850	3300	3780	4310	4890
120 (60.0)	870	1120	1400	1700	2040	2400	2800	3230	3680

CAPACITY (WATTS)

°F/°C	-30 -34.4	-25 -31.7	-20 -28.9	-15 -26.1	-10 -23.3	-5 -20.6	0 -17.8	5 -15.0	10 -12.2
	80 (26.7)	2200	2650	3140	3690	4280	4890	5600	6300
100 (37.8)	1580	1950	2360	2810	3310	3840	4400	5010	5680
120 (60.0)	1020	1300	1620	1980	2370	2790	3250	3750	4280

POWER (MOTOR WATTS)

°F/°C	-30 -34.4	-25 -31.7	-20 -28.9	-15 -26.1	-10 -23.3	-5 -20.6	0 -17.8	5 -15.0	10 -12.2
	80 (26.7)	1420	1570	1720	1860	1990	2120	2230	2320
100 (37.8)	1380	1550	1730	1900	2070	2240	2390	2540	2680
120 (60.0)	1260	1450	1650	1850	2060	2260	2470	2670	2860

Production compressors to meet above nominal performance values within ± 5%.

50 HERTZ

PERFORMANCE DATA

R404A

40 °F (4.4 °C) Return Gas

0 °F (0 °K) Subcooling

95° F (35° C) Ambient (Air Over)

200-1-50 (PFV) Rated Voltage

200-1-50 (PFV) Test Voltage

CF12K6E-PFV

CAPACITY (BTU/HOUR)

CONDENSING TEMPERATURE °F/°C	EVAPORATING TEMPERATURE °F/°C								
	-30 -34.4	-25 -31.7	-20 -28.9	-15 -26.1	-10 -23.3	-5 -20.6	0 -17.8	5 -15.0	10 -12.2
80 (26.7)	9780	11800	14000	16300	18700	21400	24300	27400	30700
100 (37.8)	7200	8990	10900	12900	15000	17200	19700	22300	25100
120 (48.9)	4790	6260	7770	9360	11000	12800	14700	16800	19000

CAPACITY (KCAL/HOUR)

°F/°C	°F/°C								
	-30 -34.4	-25 -31.7	-20 -28.9	-15 -26.1	-10 -23.3	-5 -20.6	0 -17.8	5 -15.0	10 -12.2
80 (26.7)	2460	2970	3530	4110	4710	5390	6120	6900	7740
100 (37.8)	1810	2270	2750	3250	3780	4330	4960	5620	6330
120 (48.9)	1210	1580	1960	2360	2770	3230	3700	4230	4790

CAPACITY (WATTS)

°F/°C	°F/°C								
	-30 -34.4	-25 -31.7	-20 -28.9	-15 -26.1	-10 -23.3	-5 -20.6	0 -17.8	5 -15.0	10 -12.2
80 (26.7)	2870	3460	4100	4780	5480	6270	7120	8030	9000
100 (37.8)	2110	2630	3190	3780	4400	5040	5770	6530	7350
120 (48.9)	1400	1830	2280	2740	3220	3750	4310	4920	5570

POWER (MOTOR WATTS)

°F/°C	°F/°C								
	-30 -34.4	-25 -31.7	-20 -28.9	-15 -26.1	-10 -23.3	-5 -20.6	0 -17.8	5 -15.0	10 -12.2
80 (26.7)	2070	2330	2550	2740	2910	3070	3210	3350	3500
100 (37.8)	2040	2350	2630	2880	3110	3320	3530	3730	3940
120 (48.9)	1820	2190	2530	2840	3120	3400	3660	3920	4190

CF12K6E-TF5/D

200/220-3-50 (TF5) 380/420-3-50 (TFD)	Rated Voltage	220-3-50 (TF5) 380-3-50 (TFD)	Test Voltage
--	---------------	----------------------------------	--------------

CAPACITY (BTU/HOUR)

CONDENSING TEMPERATURE °F/°C	EVAPORATING TEMPERATURE °F/°C								
	-30 -34.4	-25 -31.7	-20 -28.9	-15 -26.1	-10 -23.3	-5 -20.6	0 -17.8	5 -15.0	10 -12.2
80 (26.7)	9840	11700	13700	15800	18200	20800	23600	26700	30200
100 (37.8)	7290	8910	10600	12500	14500	16600	19000	21600	24500
120 (48.9)	4680	6040	7450	8930	10500	12200	14100	16200	18500

CAPACITY (KCAL/HOUR)

°F/°C	°F/°C								
	-30 -34.4	-25 -31.7	-20 -28.9	-15 -26.1	-10 -23.3	-5 -20.6	0 -17.8	5 -15.0	10 -12.2
80 (26.7)	2480	2950	3450	3980	4590	5240	5950	6730	7610
100 (37.8)	1840	2250	2670	3150	3650	4180	4790	5440	6170
120 (48.9)	1180	1520	1880	2250	2650	3070	3550	4080	4660

CAPACITY (WATTS)

°F/°C	°F/°C								
	-30 -34.4	-25 -31.7	-20 -28.9	-15 -26.1	-10 -23.3	-5 -20.6	0 -17.8	5 -15.0	10 -12.2
80 (26.7)	2880	3430	4010	4630	5330	6090	6910	7820	8850
100 (37.8)	2140	2610	3110	3660	4250	4860	5570	6330	7180
120 (48.9)	1370	1770	2180	2620	3080	3570	4130	4750	5420

POWER (MOTOR WATTS)

°F/°C	°F/°C								
	-30 -34.4	-25 -31.7	-20 -28.9	-15 -26.1	-10 -23.3	-5 -20.6	0 -17.8	5 -15.0	10 -12.2
80 (26.7)	1970	2160	2340	2520	2700	2880	3060	3240	3420
100 (37.8)	1930	2180	2410	2640	2870	3100	3320	3550	3780
120 (48.9)	1750	2040	2330	2600	2870	3140	3410	3670	3940

Production compressors to meet above nominal performance values within ± 5%.

50 HERTZ

PERFORMANCE DATA

R22

40 °F (4.4 °C) Return Gas

0 °F (0 °K) Subcooling

95° F (35° C) Ambient (Air Over)

220/240-1-50 (PFJ) Rated Voltage

220-1-50 (PFJ) Test Voltage

CS10K6E-PFJ

CAPACITY (BTU/HOUR)

CONDENSING TEMPERATURE °F/°C	EVAPORATING TEMPERATURE °F/°C						
	0 -17.8	5 -15	10 -12.2	15 -9.4	20 -6.7	25 -3.8	30 -1.1
100 (37.8)	6620	7860	9190	10600	12100	13700	15300
120 (48.9)		5350	6400	7510	8680	9910	11200
140 (60.0)				4490	5360	6250	7160

CAPACITY (KCAL/HOUR)

°F/°C	°F/°C						
	0 -17.8	5 -15	10 -12.2	15 -9.4	20 -6.7	25 -3.8	30 -1.1
100 (37.8)	1670	1980	2320	2670	3050	3450	3860
120 (48.9)		1350	1610	1890	2190	2500	2820
140 (60.0)				1130	1350	1580	1800

CAPACITY (WATTS)

°F/°C	°F/°C						
	0 -17.8	5 -15	10 -12.2	15 -9.4	20 -6.7	25 -3.8	30 -1.1
100 (37.8)	1940	2300	2690	3110	3550	4010	4480
120 (48.9)		1570	1880	2200	2540	2900	3280
140 (60.0)				1320	1570	1830	2100

POWER (MOTOR WATTS)

°F/°C	°F/°C						
	0 -17.8	5 -15	10 -12.2	15 -9.4	20 -6.7	25 -3.8	30 -1.1
100 (37.8)	976	1050	1120	1180	1230	1280	1310
120 (48.9)		1030	1120	1210	1280	1350	1410
140 (60.0)				1150	1260	1350	1440

CS10K6E-PFV

200-1-50 (PFV) Rated Voltage

200-1-50 (PFV) Test Voltage

CAPACITY (BTU/HOUR)

CONDENSING TEMPERATURE °F/°C	EVAPORATING TEMPERATURE °F/°C						
	0 -17.8	5 -15	10 -12.2	15 -9.4	20 -6.7	25 -3.8	30 -1.1
100 (37.8)	6860	8160	9500	11000	12600	14200	15900
120 (48.9)		5550	6640	7800	9000	10300	11600
140 (60.0)				4660	5560	6480	7430

CAPACITY (KCAL/HOUR)

°F/°C	°F/°C						
	0 -17.8	5 -15	10 -12.2	15 -9.4	20 -6.7	25 -3.8	30 -1.1
100 (37.8)	1730	2060	2390	2770	3180	3580	4010
120 (48.9)		1400	1670	1970	2270	2600	2920
140 (60.0)				1170	1400	1630	1870

CAPACITY (WATTS)

°F/°C	°F/°C						
	0 -17.8	5 -15	10 -12.2	15 -9.4	20 -6.7	25 -3.8	30 -1.1
100 (37.8)	2010	2390	2780	3220	3690	4160	4660
120 (48.9)		1630	1950	2290	2640	3020	3400
140 (60.0)				1370	1630	1900	2180

POWER (MOTOR WATTS)

°F/°C	°F/°C						
	0 -17.8	5 -15	10 -12.2	15 -9.4	20 -6.7	25 -3.8	30 -1.1
100 (37.8)	980	1060	1130	1190	1240	1290	1320
120 (48.9)		1040	1130	1220	1290	1370	1420
140 (60.0)				1170	1270	1370	1450

Production compressors to meet above nominal performance values within ± 5%.

50 HERTZ

PERFORMANCE DATA

R22

40 °F (4.4 °C) Return Gas

0 °F (0 °K) Subcooling

95° F (35° C) Ambient (Air Over)

200/220-3-50 (TF5)
380/420-3-50 (TFD) **Rated Voltage**

220-3-50 (TF5)
380-3-50 (TFD) **Test Voltage**

CS10K6E-TF5/D

CAPACITY (BTU/HOUR)

CONDENSING TEMPERATURE °F/°C	EVAPORATING TEMPERATURE °F/°C						
	0 -17.8	5 -15	10 -12.2	15 -9.4	20 -6.7	25 -3.8	30 -1.1
100 (37.8)	6750	8010	9330	10800	12300	13900	15700
120 (48.9)		5450	6520	7660	8830	10100	11400
140 (60.0)				4570	5460	6360	7300

CAPACITY (KCAL/HOUR)

°F/°C	°F/°C						
	0 -17.8	5 -15	10 -12.2	15 -9.4	20 -6.7	25 -3.8	30 -1.1
100 (37.8)	1670	1980	2320	2670	3050	3450	3860
120 (48.9)		1350	1610	1890	2190	2500	2820
140 (60.0)				1130	1350	1580	1800

CAPACITY (WATTS)

°F/°C	°F/°C						
	0 -17.8	5 -15	10 -12.2	15 -9.4	20 -6.7	25 -3.8	30 -1.1
100 (37.8)	1980	2350	2730	3160	3600	4070	4600
120 (48.9)		1600	1910	2240	2590	2960	3340
140 (60.0)				1340	1600	1860	2140

POWER (MOTOR WATTS)

°F/°C	°F/°C						
	0 -17.8	5 -15	10 -12.2	15 -9.4	20 -6.7	25 -3.8	30 -1.1
100 (37.8)	950	1030	1090	1150	1210	1250	1280
120 (48.9)		1010	1090	1180	1250	1320	1380
140 (60.0)				1130	1230	1330	1400

CS12K6E-PFJ

220/240-1-50 (PFJ) Rated Voltage

220-1-50 (PFJ) Test Voltage

CAPACITY (BTU/HOUR)

CONDENSING TEMPERATURE °F/°C	EVAPORATING TEMPERATURE °F/°C						
	0 -17.8	5 -15	10 -12.2	15 -9.4	20 -6.7	25 -3.8	30 -1.1
100 (37.8)	7470	8940	10500	12200	13800	15500	17200
120 (48.9)		6260	7510	8840	10200	11600	12900
140 (60.0)				5470	6500	7540	8560

CAPACITY (KCAL/HOUR)

°F/°C	°F/°C						
	0 -17.8	5 -15	10 -12.2	15 -9.4	20 -6.7	25 -3.8	30 -1.1
100 (37.8)	1880	2250	2650	3070	3480	3910	4330
120 (48.9)		1580	1890	2230	2570	2920	3250
140 (60.0)				1380	1640	1900	2160

CAPACITY (WATTS)

°F/°C	°F/°C						
	0 -17.8	5 -15	10 -12.2	15 -9.4	20 -6.7	25 -3.8	30 -1.1
100 (37.8)	2190	2620	3080	3570	4040	4540	5040
120 (48.9)		1830	2200	2590	2990	3400	3780
140 (60.0)				1600	1900	2210	2510

POWER (MOTOR WATTS)

°F/°C	°F/°C						
	0 -17.8	5 -15	10 -12.2	15 -9.4	20 -6.7	25 -3.8	30 -1.1
100 (37.8)	1070	1170	1250	1330	1390	1430	1440
120 (48.9)		1160	1270	1380	1470	1550	1600
140 (60.0)				1340	1470	1580	1690

Production compressors to meet above nominal performance values within ± 5%.

50 HERTZ

PERFORMANCE DATA

R22

40 °F (4.4 °C) Return Gas

0 °F (0 °K) Subcooling

95° F (35° C) Ambient (Air Over)

200-1-50 (PFV) Rated Voltage

200-1-50 (PFV) Test Voltage

CS12K6E-PFV

CAPACITY (BTU/HOUR)

CONDENSING TEMPERATURE °F/°C	EVAPORATING TEMPERATURE °F/°C						
	0 -17.8	5 -15	10 -12.2	15 -9.4	20 -6.7	25 -3.8	30 -1.1
100 (37.8)	7440	8910	10500	12100	13700	15500	17200
120 (48.9)		6240	7490	8830	10200	11500	12800
140 (60.0)				5450	6480	7510	8500

CAPACITY (KCAL/HOUR)

°F/°C	0	5	10	15	20	25	30
	-17.8	-15	-12.2	-9.4	-6.7	-3.8	-1.1
100 (37.8)	1870	2250	2650	3050	3450	3910	4330
120 (48.9)		1570	1890	2230	2570	2900	3230
140 (60.0)				1370	1630	1890	2140

CAPACITY (WATTS)

°F/°C	0	5	10	15	20	25	30
	-17.8	-15	-12.2	-9.4	-6.7	-3.8	-1.1
100 (37.8)	2180	2610	3080	3550	4010	4540	5040
120 (48.9)		1830	2190	2590	2990	3370	3750
140 (60.0)				1600	1900	2200	2490

POWER (MOTOR WATTS)

°F/°C	0	5	10	15	20	25	30
	-17.8	-15	-12.2	-9.4	-6.7	-3.8	-1.1
100 (37.8)	1060	1150	1230	1310	1370	1400	1420
120 (48.9)		1140	1250	1360	1440	1520	1570
140 (60.0)				1320	1440	1560	1660

CS12K6E-TF5

200/220-3-50 (TF5) Rated Voltage

220-3-50 (TF5) Test Voltage

CAPACITY (BTU/HOUR)

CONDENSING TEMPERATURE °F/°C	EVAPORATING TEMPERATURE °F/°C						
	0 -17.8	5 -15	10 -12.2	15 -9.4	20 -6.7	25 -3.8	30 -1.1
100 (37.8)	7770	9170	10600	12200	13800	15700	17500
120 (48.9)		6330	7510	8750	10100	11500	13100
140 (60.0)				5410	6430	7520	8660

CAPACITY (KCAL/HOUR)

°F/°C	0	5	10	15	20	25	30
	-17.8	-15	-12.2	-9.4	-6.7	-3.8	-1.1
100 (37.8)	1960	2310	2670	3070	3480	3960	4410
120 (48.9)		1600	1890	2210	2550	2900	3300
140 (60.0)				1360	1620	1900	2180

CAPACITY (WATTS)

°F/°C	0	5	10	15	20	25	30
	-17.8	-15	-12.2	-9.4	-6.7	-3.8	-1.1
100 (37.8)	2280	2690	3110	3570	4040	4600	5130
120 (48.9)		1850	2200	2560	2960	3370	3840
140 (60.0)				1590	1880	2200	2540

POWER (MOTOR WATTS)

°F/°C	0	5	10	15	20	25	30
	-17.8	-15	-12.2	-9.4	-6.7	-3.8	-1.1
100 (37.8)	1050	1130	1210	1270	1330	1370	1420
120 (48.9)		1120	1220	1310	1400	1470	1550
140 (60.0)				1270	1380	1500	1610

Production compressors to meet above nominal performance values within ± 5%.

50 HERTZ

PERFORMANCE DATA

R22

40 °F (4.4 °C) Return Gas

0 °F (0 °K) Subcooling

95° F (35° C) Ambient (Air Over)

220/240-1-50 (PFJ) Rated Voltage

220-1-50 (PFJ) Test Voltage

CS14K6E-PFJ

CAPACITY (BTU/HOUR)

CONDENSING TEMPERATURE °F/°C	EVAPORATING TEMPERATURE °F/°C						
	0 -17.8	5 -15	10 -12.2	15 -9.4	20 -6.7	25 -3.8	30 -1.1
100 (37.8)	9330	10800	12500	14000	16000	17900	19900
120 (48.9)		7880	9160	10500	11900	13300	14800
140 (60.0)				6740	7710	8750	9750

CAPACITY (KCAL/HOUR)

°F/°C	EVAPORATING TEMPERATURE °F/°C						
	0 -17.8	5 -15	10 -12.2	15 -9.4	20 -6.7	25 -3.8	30 -1.1
100 (37.8)	2350	2720	3150	3530	4030	4510	5010
120 (48.9)		1990	2310	2650	3000	3350	3730
140 (60.0)				1700	1940	2210	2460

CAPACITY (WATTS)

°F/°C	EVAPORATING TEMPERATURE °F/°C						
	0 -17.8	5 -15	10 -12.2	15 -9.4	20 -6.7	25 -3.8	30 -1.1
100 (37.8)	2730	3160	3660	4100	4690	5240	5830
120 (48.9)		2310	2680	3080	3490	3900	4340
140 (60.0)				1970	2260	2560	2860

POWER (MOTOR WATTS)

°F/°C	EVAPORATING TEMPERATURE °F/°C						
	0 -17.8	5 -15	10 -12.2	15 -9.4	20 -6.7	25 -3.8	30 -1.1
100 (37.8)	1620	1730	1840	1930	2020	2100	2160
120 (48.9)		1770	1900	2030	2160	2270	2370
140 (60.0)				2000	2160	2300	2430

CS14K6E-PFV

200-1-50 (PFV) Rated Voltage

200-1-50 (PFV) Test Voltage

CAPACITY (BTU/HOUR)

CONDENSING TEMPERATURE °F/°C	EVAPORATING TEMPERATURE °F/°C						
	0 -17.8	5 -15	10 -12.2	15 -9.4	20 -6.7	25 -3.8	30 -1.1
100 (37.8)	9330	10800	12500	14000	16000	17900	19900
120 (48.9)		7880	9160	10500	11900	13300	14800
140 (60.0)				6740	7710	8750	9750

CAPACITY (KCAL/HOUR)

°F/°C	EVAPORATING TEMPERATURE °F/°C						
	0 -17.8	5 -15	10 -12.2	15 -9.4	20 -6.7	25 -3.8	30 -1.1
100 (37.8)	2350	2720	3150	3530	4030	4510	5010
120 (48.9)		1990	2310	2650	3000	3350	3730
140 (60.0)				1700	1940	2210	2460

CAPACITY (WATTS)

°F/°C	EVAPORATING TEMPERATURE °F/°C						
	0 -17.8	5 -15	10 -12.2	15 -9.4	20 -6.7	25 -3.8	30 -1.1
100 (37.8)	2730	3160	3660	4100	4690	5240	5830
120 (48.9)		2310	2680	3080	3490	3900	4340
140 (60.0)				1970	2260	2560	2860

POWER (MOTOR WATTS)

°F/°C	EVAPORATING TEMPERATURE °F/°C						
	0 -17.8	5 -15	10 -12.2	15 -9.4	20 -6.7	25 -3.8	30 -1.1
100 (37.8)	1620	1730	1840	1930	2020	2100	2160
120 (48.9)		1770	1900	2030	2160	2270	2370
140 (60.0)				2000	2160	2300	2430

Production compressors to meet above nominal performance values within ± 5%.

50 HERTZ

PERFORMANCE DATA

R22

40 °F (4.4 °C) Return Gas

0 °F (0 °K) Subcooling

95° F (35° C) Ambient (Air Over)

200/220-3-50 (TF5)
380/420-3-50 (TFD) **Rated Voltage**

220-3-50 (TF5)
380-3-50 (TFD) **Test Voltage**

CS14K6E-TF5/D

CAPACITY (BTU/HOUR)

CONDENSING TEMPERATURE °F/°C	EVAPORATING TEMPERATURE °F/°C						
	0 -17.8	5 -15	10 -12.2	15 -9.4	20 -6.7	25 -3.8	30 -1.1
100 (37.8)	9400	10900	12600	14300	16200	18100	20100
120 (48.9)		7960	9240	10600	12000	13500	15000
140 (60.0)				6800	7790	8800	9830

CAPACITY (KCAL/HOUR)

CONDENSING TEMPERATURE °F/°C	EVAPORATING TEMPERATURE °F/°C						
	0 -17.8	5 -15	10 -12.2	15 -9.4	20 -6.7	25 -3.8	30 -1.1
100 (37.8)	2370	2750	3180	3600	4080	4560	5070
120 (48.9)		2010	2330	2670	3020	3400	3780
140 (60.0)				1710	1960	2220	2480

CAPACITY (WATTS)

CONDENSING TEMPERATURE °F/°C	EVAPORATING TEMPERATURE °F/°C						
	0 -17.8	5 -15	10 -12.2	15 -9.4	20 -6.7	25 -3.8	30 -1.1
100 (37.8)	2750	3190	3690	4190	4750	5300	5890
120 (48.9)		2330	2710	3110	3520	3960	4400
140 (60.0)				1990	2280	2580	2880

POWER (MOTOR WATTS)

CONDENSING TEMPERATURE °F/°C	EVAPORATING TEMPERATURE °F/°C						
	0 -17.8	5 -15	10 -12.2	15 -9.4	20 -6.7	25 -3.8	30 -1.1
100 (37.8)	1260	1350	1430	1510	1580	1640	1680
120 (48.9)		1380	1480	1580	1680	1770	1850
140 (60.0)				1560	1680	1790	1900

CS17K6E-PFV

200-1-50 (PFV) Rated Voltage

200-1-50 (PFV) Test Voltage

CAPACITY (BTU/HOUR)

CONDENSING TEMPERATURE °F/°C	EVAPORATING TEMPERATURE °F/°C						
	0 -17.8	5 -15	10 -12.2	15 -9.4	20 -6.7	25 -3.8	30 -1.1
100 (37.8)							
120 (48.9)							
140 (60.0)							

CAPACITY (KCAL/HOUR)

CONDENSING TEMPERATURE °F/°C	EVAPORATING TEMPERATURE °F/°C						
	0 -17.8	5 -15	10 -12.2	15 -9.4	20 -6.7	25 -3.8	30 -1.1
100 (37.8)							
120 (48.9)							
140 (60.0)							

CAPACITY (WATTS)

CONDENSING TEMPERATURE °F/°C	EVAPORATING TEMPERATURE °F/°C						
	0 -17.8	5 -15	10 -12.2	15 -9.4	20 -6.7	25 -3.8	30 -1.1
100 (37.8)							
120 (48.9)							
140 (60.0)							

POWER (MOTOR WATTS)

CONDENSING TEMPERATURE °F/°C	EVAPORATING TEMPERATURE °F/°C						
	0 -17.8	5 -15	10 -12.2	15 -9.4	20 -6.7	25 -3.8	30 -1.1
100 (37.8)							
120 (48.9)							
140 (60.0)							

Production compressors to meet above nominal performance values within ± 5%.

50 HERTZ

PERFORMANCE DATA

R22

40 °F (4.4 °C) Return Gas

0 °F (0 °K) Subcooling

95° F (35° C) Ambient (Air Over)

220/240-1-50 (PFJ) Rated Voltage

220-1-50 (PFJ) Test Voltage

CS18K6E-PFJ

CAPACITY (BTU/HOUR)

CONDENSING TEMPERATURE °F/°C	EVAPORATING TEMPERATURE °F/°C						
	0 -17.8	5 -15	10 -12.2	15 -9.4	20 -6.7	25 -3.8	30 -1.1
100 (37.8)	11800	13900	16200	18500	21100	23700	26400
120 (48.9)		9760	11500	13400	15500	17600	19900
140 (60.0)				8590	10100	11700	13400

CAPACITY (KCAL/HOUR)

°F/°C	0 -17.8	5 -15	10 -12.2	15 -9.4	20 -6.7	25 -3.8	30 -1.1
	100 (37.8)	2970	3500	4080	4660	5320	5970
120 (48.9)		2460	2900	3380	3910	4440	5010
140 (60.0)				2160	2550	2950	3380

CAPACITY (WATTS)

°F/°C	0 -17.8	5 -15	10 -12.2	15 -9.4	20 -6.7	25 -3.8	30 -1.1
	100 (37.8)	3460	4070	4750	5420	6180	6940
120 (48.9)		2860	3370	3930	4540	5160	5830
140 (60.0)				2520	2960	3430	3930

POWER (MOTOR WATTS)

°F/°C	0 -17.8	5 -15	10 -12.2	15 -9.4	20 -6.7	25 -3.8	30 -1.1
	100 (37.8)	1580	1690	1800	1900	1990	2060
120 (48.9)		1710	1850	1990	2120	2240	2350
140 (60.0)				1990	2160	2330	2490

CS18K6E-PFV

200-1-50 (PFV) Rated Voltage

200-1-50 (PFV) Test Voltage

CAPACITY (BTU/HOUR)

CONDENSING TEMPERATURE °F/°C	EVAPORATING TEMPERATURE °F/°C						
	0 -17.8	5 -15	10 -12.2	15 -9.4	20 -6.7	25 -3.8	30 -1.1
100 (37.8)	11800	13900	16200	18600	21100	23700	26000
120 (48.9)		9750	11500	13400	15500	17700	19900
140 (60.0)				8580	10100	11700	13400

CAPACITY (KCAL/HOUR)

°F/°C	0 -17.8	5 -15	10 -12.2	15 -9.4	20 -6.7	25 -3.8	30 -1.1
	100 (37.8)	2970	3500	4080	4690	5320	5970
120 (48.9)		2460	2900	3380	3910	4460	5010
140 (60.0)				2160	2550	2950	3380

CAPACITY (WATTS)

°F/°C	0 -17.8	5 -15	10 -12.2	15 -9.4	20 -6.7	25 -3.8	30 -1.1
	100 (37.8)	3460	4070	4750	5450	6180	6940
120 (48.9)		2860	3370	3930	4540	5190	5830
140 (60.0)				2510	2960	3430	3930

POWER (MOTOR WATTS)

°F/°C	0 -17.8	5 -15	10 -12.2	15 -9.4	20 -6.7	25 -3.8	30 -1.1
	100 (37.8)	1550	1670	1780	1870	1950	2020
120 (48.9)		1680	1820	19600	2080	2210	2320
140 (60.0)				1960	2120	2290	2440

Production compressors to meet above nominal performance values within ± 5%.

50 HERTZ

PERFORMANCE DATA

R22

40 °F (4.4 °C) Return Gas

0 °F (0 °K) Subcooling

95° F (35° C) Ambient (Air Over)

200/220-3-50 (TF5)
380/420-3-50 (TFD) **Rated Voltage**

220-3-50 (TF5)
380-3-50 (TFD) **Test Voltage**

CS18K6E-TF5/D

CAPACITY (BTU/HOUR)

CONDENSING TEMPERATURE °F/°C	EVAPORATING TEMPERATURE °F/°C						
	0 -17.8	5 -15	10 -12.2	15 -9.4	20 -6.7	25 -3.8	30 -1.1
100 (37.8)	11700	13700	15900	18200	20700	23000	26000
120 (48.9)		9580	11300	13200	15200	17300	19600
140 (60.0)				8410	9910	11500	13200

CAPACITY (KCAL/HOUR)

°F/°C	EVAPORATING TEMPERATURE °F/°C						
	0 -17.8	5 -15	10 -12.2	15 -9.4	20 -6.7	25 -3.8	30 -1.1
100 (37.8)	2950	3450	4010	4590	5220	5800	6550
120 (48.9)		2410	2850	3330	3830	4360	4940
140 (60.0)				2120	2500	2900	3330

CAPACITY (WATTS)

°F/°C	EVAPORATING TEMPERATURE °F/°C						
	0 -17.8	5 -15	10 -12.2	15 -9.4	20 -6.7	25 -3.8	30 -1.1
100 (37.8)	3430	4010	4660	5330	6070	6740	7620
120 (48.9)		2810	3310	3870	4450	5070	5740
140 (60.0)				2460	2900	3370	3870

POWER (MOTOR WATTS)

°F/°C	EVAPORATING TEMPERATURE °F/°C						
	0 -17.8	5 -15	10 -12.2	15 -9.4	20 -6.7	25 -3.8	30 -1.1
100 (37.8)	1500	1610	1720	1810	1890	1960	2010
120 (48.9)		1620	1760	1890	2020	2130	2240
140 (60.0)				1890	2060	2220	2370

CS20K6E-PFZ

220/240-1-50 (PFZ) Rated Voltage

220-1-50 (PFZ) Test Voltage

CAPACITY (BTU/HOUR)

CONDENSING TEMPERATURE °F/°C	EVAPORATING TEMPERATURE °F/°C						
	0 -17.8	5 -15	10 -12.2	15 -9.4	20 -6.7	25 -3.8	30 -1.1
100 (37.8)	13400	15700	18100	20800	24000	27600	31700
120 (48.9)		10700	12600	14700	17200	19900	23200
140 (60.0)				9250	11000	13100	15600

CAPACITY (KCAL/HOUR)

°F/°C	EVAPORATING TEMPERATURE °F/°C						
	0 -17.8	5 -15	10 -12.2	15 -9.4	20 -6.7	25 -3.8	30 -1.1
100 (37.8)	3380	3960	4560	5240	6050	6960	7990
120 (48.9)		2700	3180	3700	4330	5010	5850
140 (60.0)				2330	2770	3300	3930

CAPACITY (WATTS)

°F/°C	EVAPORATING TEMPERATURE °F/°C						
	0 -17.8	5 -15	10 -12.2	15 -9.4	20 -6.7	25 -3.8	30 -1.1
100 (37.8)	3930	4600	5300	6090	7030	8090	9290
120 (48.9)		3140	3690	4310	5040	5830	6800
140 (60.0)				2710	3220	3840	4570

POWER (MOTOR WATTS)

°F/°C	EVAPORATING TEMPERATURE °F/°C						
	0 -17.8	5 -15	10 -12.2	15 -9.4	20 -6.7	25 -3.8	30 -1.1
100 (37.8)	1770	1880	1990	2120	2230	2370	2520
120 (48.9)		1870	2020	2170	2330	2500	2670
140 (60.0)				2130	2340	2550	2770

Production compressors to meet above nominal performance values within ± 5%.

50 HERTZ

PERFORMANCE DATA

R22

40 °F (4.4 °C) Return Gas

0 °F (0 °K) Subcooling

95° F (35° C) Ambient (Air Over)

200-1-50 (PFV) Rated Voltage

200-1-50 (PFV) Test Voltage

CS20K6E-PFV

CAPACITY (BTU/HOUR)

CONDENSING TEMPERATURE °F/°C	EVAPORATING TEMPERATURE °F/°C						
	0 -17.8	5 -15	10 -12.2	15 -9.4	20 -6.7	25 -3.8	30 -1.1
100 (37.8)	13400	15700	18100	20800	24000	27600	31700
120 (48.9)		10700	12600	14700	17200	19900	23200
140 (60.0)				9250	11000	13100	15600

CAPACITY (KCAL/HOUR)

°F/°C	0	5	10	15	20	25	30
	-17.8	-15	-12.2	-9.4	-6.7	-3.8	-1.1
100 (37.8)	3380	3960	4560	5240	6050	6960	7990
120 (48.9)		2700	3180	3700	4330	5010	5850
140 (60.0)				2330	2770	3300	3930

CAPACITY (WATTS)

°F/°C	0	5	10	15	20	25	30
	-17.8	-15	-12.2	-9.4	-6.7	-3.8	-1.1
100 (37.8)	3930	4600	5300	6090	7030	8090	9290
120 (48.9)		3140	3690	4310	5040	5830	6800
140 (60.0)				2710	3220	3840	4570

POWER (MOTOR WATTS)

°F/°C	0	5	10	15	20	25	30
	-17.8	-15	-12.2	-9.4	-6.7	-3.8	-1.1
100 (37.8)	1770	1880	1990	2120	2230	2370	2520
120 (48.9)		1870	2020	2170	2330	2500	2670
140 (60.0)				2130	2340	2550	2770

CS20K6E-TF5/D

200/220-3-50 (TF5) 380/420-3-50 (TFD)	Rated Voltage	220-3-50 (TF5) 380-3-50 (TFD)	Test Voltage
--	---------------	----------------------------------	--------------

CAPACITY (BTU/HOUR)

CONDENSING TEMPERATURE °F/°C	EVAPORATING TEMPERATURE °F/°C						
	0 -17.8	5 -15	10 -12.2	15 -9.4	20 -6.7	25 -3.8	30 -1.1
100 (37.8)	13200	15400	17800	20500	23600	27200	31200
120 (48.9)		10500	12400	14500	16900	19600	22800
140 (60.0)				9090	10900	12900	15300

CAPACITY (KCAL/HOUR)

°F/°C	0	5	10	15	20	25	30
	-17.8	-15	-12.2	-9.4	-6.7	-3.8	-1.1
100 (37.8)	3330	3880	4490	5170	5950	6850	7860
120 (48.9)		2650	3120	3650	4260	4940	5750
140 (60.0)				2290	2750	3250	3860

CAPACITY (WATTS)

°F/°C	0	5	10	15	20	25	30
	-17.8	-15	-12.2	-9.4	-6.7	-3.8	-1.1
100 (37.8)	3870	4510	5220	6010	6910	7970	9140
120 (48.9)		3080	3630	4250	4950	5740	6680
140 (60.0)				2660	3190	3780	4480

POWER (MOTOR WATTS)

°F/°C	0	5	10	15	20	25	30
	-17.8	-15	-12.2	-9.4	-6.7	-3.8	-1.1
100 (37.8)	1740	1850	1970	2080	2200	2340	2480
120 (48.9)		1840	1990	2140	2300	2460	2640
140 (60.0)				2100	2310	2510	2730

Production compressors to meet above nominal performance values within ± 5%.

50 HERTZ

PERFORMANCE DATA

R134a

65 °F (18.3 °C) Return Gas

0 °F (0 °K) Subcooling

95° F (35° C) Ambient (Air Over)

220/240-1-50 (PFJ) Rated Voltage

220-1-50 (PFJ) Test Voltage

CS10K6E-PFJ

CAPACITY (BTU/HOUR)

CONDENSING TEMPERATURE °F/°C	EVAPORATING TEMPERATURE °F/°C											
	-10 23.3	0 -17.8	5 -15	10 -12.2	15 -9.4	20 -6.7	25 -3.9	30 -1.1	35 1.7	40 4.4	45 7.2	55 12.8
100 (37.8)	1630	2730	3440	4280	5240	6320	7530	8870	10300	12000	13700	17600
120 (48.9)			2250	2940	3740	4640	5650	6780	8010	9360	10800	14100
140 (60.0)					2500	3210	4010	4910	5900	6980	8170	10900

CAPACITY (KCAL/HOUR)

CONDENSING TEMPERATURE °F/°C	EVAPORATING TEMPERATURE °F/°C											
	-10 23.3	0 -17.8	5 -15	10 -12.2	15 -9.4	20 -6.7	25 -3.9	30 -1.1	35 1.7	40 4.4	45 7.2	55 12.8
100 (37.8)	410	690	870	1080	1320	1590	1900	2240	2600	3020	3450	4440
120 (48.9)			570	740	940	1170	1420	1710	2020	2360	2720	3550
140 (60.0)					630	810	1010	1240	1490	1760	2060	2750

CAPACITY (WATTS)

CONDENSING TEMPERATURE °F/°C	EVAPORATING TEMPERATURE °F/°C											
	-10 23.3	0 -17.8	5 -15	10 -12.2	15 -9.4	20 -6.7	25 -3.9	30 -1.1	35 1.7	40 4.4	45 7.2	55 12.8
100 (37.8)	480	800	1010	1250	1540	1850	2210	2600	3020	3520	4010	5160
120 (48.9)			660	860	1100	1360	1660	1990	2350	2740	3160	4130
140 (60.0)					730	940	1170	1440	1730	2050	2390	3190

POWER (MOTOR WATTS)

CONDENSING TEMPERATURE °F/°C	EVAPORATING TEMPERATURE °F/°C											
	-10 23.3	0 -17.8	5 -15	10 -12.2	15 -9.4	20 -6.7	25 -3.9	30 -1.1	35 1.7	40 4.4	45 7.2	55 12.8
100 (37.8)	479	563	609	657	705	751	796	836	872	902	924	943
120 (48.9)			582	641	701	762	822	881	936	986	1030	1100
140 (60.0)					670	743	817	890	962	1030	1100	1210

CS10K6E-PFV

200-1-50 (PFV) Rated Voltage

200-1-50 (PFV) Test Voltage

CAPACITY (BTU/HOUR)

CONDENSING TEMPERATURE °F/°C	EVAPORATING TEMPERATURE °F/°C											
	-10 23.3	0 -17.8	5 -15	10 -12.2	15 -9.4	20 -6.7	25 -3.9	30 -1.1	35 1.7	40 4.4	45 7.2	55 12.8
100 (37.8)	1630	2930	3680	4520	5460	6510	7680	8990	10400	12100	13800	18000
120 (48.9)			2420	3160	3980	4880	5880	6980	8210	9560	11100	14500
140 (60.0)					2570	3330	4150	5050	6040	7140	8350	11200

CAPACITY (KCAL/HOUR)

CONDENSING TEMPERATURE °F/°C	EVAPORATING TEMPERATURE °F/°C											
	-10 23.3	0 -17.8	5 -15	10 -12.2	15 -9.4	20 -6.7	25 -3.9	30 -1.1	35 1.7	40 4.4	45 7.2	55 12.8
100 (37.8)	410	740	930	1140	1380	1640	1940	2270	2620	3050	3480	4540
120 (48.9)			610	800	1000	1230	1480	1760	2070	2410	2800	3650
140 (60.0)					650	840	1050	1270	1520	1800	2100	2820

CAPACITY (WATTS)

CONDENSING TEMPERATURE °F/°C	EVAPORATING TEMPERATURE °F/°C											
	-10 23.3	0 -17.8	5 -15	10 -12.2	15 -9.4	20 -6.7	25 -3.9	30 -1.1	35 1.7	40 4.4	45 7.2	55 12.8
100 (37.8)	480	860	1080	1320	1600	1910	2250	2630	3050	3550	4040	5270
120 (48.9)			710	930	1170	1430	1720	2050	2410	2800	3250	4250
140 (60.0)					750	980	1220	1480	1770	2090	2450	3280

POWER (MOTOR WATTS)

CONDENSING TEMPERATURE °F/°C	EVAPORATING TEMPERATURE °F/°C											
	-10 23.3	0 -17.8	5 -15	10 -12.2	15 -9.4	20 -6.7	25 -3.9	30 -1.1	35 1.7	40 4.4	45 7.2	55 12.8
100 (37.8)	483	588	638	686	732	776	816	852	884	912	935	963
120 (48.9)			594	661	726	789	848	905	958	1010	1050	1120
140 (60.0)					676	757	836	913	986	1060	1120	1240

Production compressors to meet above nominal performance values within ± 5%.

50 HERTZ

PERFORMANCE DATA

R134a

65 °F (18.3 °C) Return Gas			0 °F (0 °K) Subcooling				95° F (35° C) Ambient (Air Over)				
200/220-3-50 (TF5) 380/420-3-50 (TFD)		Rated Voltage	220-3-50 (TF5) 380-3-50 (TFD)		Test Voltage						

CS10K6E-TF5/D

CAPACITY (BTU/HOUR)

CONDENSING TEMPERATURE °F/°C	EVAPORATING TEMPERATURE °F/°C											
	-10 23.3	0 -17.8	5 -15	10 -12.2	15 -9.4	20 -6.7	25 -3.9	30 -1.1	35 1.7	40 4.4	45 7.2	55 12.8
100 (37.8)	2650	3370	3950	4670	5520	6490	7560	8750	10000	11200	12700	15500
120 (48.9)			2940	3524	4240	5060	5990	7010	8100	9250	10500	13000
140 (60.0)					3010	3710	4520	5410	6370	7400	8500	10800

CAPACITY (KCAL/HOUR)

CONDENSING TEMPERATURE °F/°C	EVAPORATING TEMPERATURE °F/°C											
	-10 23.3	0 -17.8	5 -15	10 -12.2	15 -9.4	20 -6.7	25 -3.9	30 -1.1	35 1.7	40 4.4	45 7.2	55 12.8
100 (37.8)	670	850	1000	1180	1390	1640	1910	2210	2520	2820	3200	3910
120 (48.9)			740	890	1070	1280	1510	1770	2040	2330	2650	3280
140 (60.0)					760	930	1140	1360	1610	1860	2140	2720

CAPACITY (WATTS)

CONDENSING TEMPERATURE °F/°C	EVAPORATING TEMPERATURE °F/°C											
	-10 23.3	0 -17.8	5 -15	10 -12.2	15 -9.4	20 -6.7	25 -3.9	30 -1.1	35 1.7	40 4.4	45 7.2	55 12.8
100 (37.8)	780	990	1160	1370	1620	1900	2220	2560	2930	3280	3720	4540
120 (48.9)			860	1030	1240	1480	1760	2050	2370	2710	3080	3810
140 (60.0)					880	1090	1320	1590	1870	2170	2490	3160

POWER (MOTOR WATTS)

CONDENSING TEMPERATURE °F/°C	EVAPORATING TEMPERATURE °F/°C											
	-10 23.3	0 -17.8	5 -15	10 -12.2	15 -9.4	20 -6.7	25 -3.9	30 -1.1	35 1.7	40 4.4	45 7.2	55 12.8
100 (37.8)	441	494	531	572	616	662	707	751	791	826	858	891
120 (48.9)			523	574	628	686	743	800	858	908	950	1020
140 (60.0)					606	677	751	824	891	966	1033	1141

CS12K6E-PFJ

220/240-1-50 (PFJ) Rated Voltage

220-1-50 (PFJ) Test Voltage

CAPACITY (BTU/HOUR)

CONDENSING TEMPERATURE °F/°C	EVAPORATING TEMPERATURE °F/°C											
	-10 23.3	0 -17.8	5 -15	10 -12.2	15 -9.4	20 -6.7	25 -3.9	30 -1.1	35 1.7	40 4.4	45 7.2	55 12.8
100 (37.8)	1860	3340	4210	5170	6240	7440	8780	10300	11900	13800	15800	20500
120 (48.9)			2760	3610	4550	5580	6720	7980	9380	10900	12600	16600
140 (60.0)					2940	3800	4740	5770	6900	8150	9540	12800

CAPACITY (KCAL/HOUR)

CONDENSING TEMPERATURE °F/°C	EVAPORATING TEMPERATURE °F/°C											
	-10 23.3	0 -17.8	5 -15	10 -12.2	15 -9.4	20 -6.7	25 -3.9	30 -1.1	35 1.7	40 4.4	45 7.2	55 12.8
100 (37.8)	470	840	1060	1300	1570	1870	2210	2600	3000	3480	3980	5170
120 (48.9)			700	910	1150	1410	1690	2010	2360	2750	3180	4180
140 (60.0)					740	960	1190	1450	1740	2050	2400	3230

CAPACITY (WATTS)

CONDENSING TEMPERATURE °F/°C	EVAPORATING TEMPERATURE °F/°C											
	-10 23.3	0 -17.8	5 -15	10 -12.2	15 -9.4	20 -6.7	25 -3.9	30 -1.1	35 1.7	40 4.4	45 7.2	55 12.8
100 (37.8)	540	980	1230	1510	1830	2180	2570	3020	3490	4040	4630	6010
120 (48.9)			810	1060	1330	1630	1970	2340	2750	3190	3690	4860
140 (60.0)					860	1110	1390	1690	2020	2390	2800	3750

POWER (MOTOR WATTS)

CONDENSING TEMPERATURE °F/°C	EVAPORATING TEMPERATURE °F/°C											
	-10 23.3	0 -17.8	5 -15	10 -12.2	15 -9.4	20 -6.7	25 -3.9	30 -1.1	35 1.7	40 4.4	45 7.2	55 12.8
100 (37.8)	529	644	699	753	803	851	894	934	970	1000	1020	1060
120 (48.9)			651	725	796	865	930	992	1050	1100	1150	1230
140 (60.0)					741	830	917	1000	1080	1160	1230	1360

Production compressors to meet above nominal performance values within ± 5%.

50 HERTZ

PERFORMANCE DATA

R134a

65 °F (18.3 °C) Return Gas

0 °F (0 °K) Subcooling

95° F (35° C) Ambient (Air Over)

200-1-50 (PFV) Rated Voltage

200-1-50 (PFV) Test Voltage

CS12K6E-PFV

CAPACITY (BTU/HOUR)

CONDENSING TEMPERATURE °F/°C	EVAPORATING TEMPERATURE °F/°C											
	-10 23.3	0 -17.8	5 -15	10 -12.2	15 -9.4	20 -6.7	25 -3.9	30 -1.1	35 1.7	40 4.4	45 7.2	55 12.8
100 (37.8)	1900	3410	4290	5270	6360	7590	8950	10500	12200	14000	16100	20900
120 (48.9)			2820	3690	4640	5690	6850	8140	9560	11100	12900	16900
140 (60.0)					3000	3880	4830	5880	7040	8320	9730	13000

CAPACITY (KCAL/HOUR)

CONDENSING TEMPERATURE °F/°C	EVAPORATING TEMPERATURE °F/°C											
	-10 23.3	0 -17.8	5 -15	10 -12.2	15 -9.4	20 -6.7	25 -3.9	30 -1.1	35 1.7	40 4.4	45 7.2	55 12.8
100 (37.8)	480	860	1080	1330	1600	1910	2260	2650	3070	3530	4060	5270
120 (48.9)			710	930	1170	1430	1730	2050	2410	2800	3250	4260
140 (60.0)					760	980	1220	1480	1770	2100	2450	3280

CAPACITY (WATTS)

CONDENSING TEMPERATURE °F/°C	EVAPORATING TEMPERATURE °F/°C											
	-10 23.3	0 -17.8	5 -15	10 -12.2	15 -9.4	20 -6.7	25 -3.9	30 -1.1	35 1.7	40 4.4	45 7.2	55 12.8
100 (37.8)	560	1000	1260	1540	1860	2220	2620	3080	3570	4100	4720	6120
120 (48.9)			830	1080	1360	1670	2010	2390	2800	3250	3780	4950
140 (60.0)					880	1140	1420	1720	2060	2440	2850	3810

POWER (MOTOR WATTS)

CONDENSING TEMPERATURE °F/°C	EVAPORATING TEMPERATURE °F/°C											
	-10 23.3	0 -17.8	5 -15	10 -12.2	15 -9.4	20 -6.7	25 -3.9	30 -1.1	35 1.7	40 4.4	45 7.2	55 12.8
100 (37.8)	534	650	705	759	810	858	902	942	978	1010	1030	1060
120 (48.9)			657	731	803	872	938	1000	1060	1110	1160	1240
140 (60.0)					747	837	925	1010	1090	1170	1240	1370

CS12K6E-TF5

200/220-3-50 (TF5) Rated Voltage

220-3-50 (TF5) Test Voltage

CAPACITY (BTU/HOUR)

CONDENSING TEMPERATURE °F/°C	EVAPORATING TEMPERATURE °F/°C											
	-10 23.3	0 -17.8	5 -15	10 -12.2	15 -9.4	20 -6.7	25 -3.9	30 -1.1	35 1.7	40 4.4	45 7.2	55 12.8
100 (37.8)	2790	3540	4160	4920	5820	6830	7960	9180	10500	11900	13300	16300
120 (48.9)			3090	3710	4460	5330	6310	7370	8520	9740	11000	13700
140 (60.0)					3160	3910	4750	5690	6710	7790	8930	11300

CAPACITY (KCAL/HOUR)

CONDENSING TEMPERATURE °F/°C	EVAPORATING TEMPERATURE °F/°C											
	-10 23.3	0 -17.8	5 -15	10 -12.2	15 -9.4	20 -6.7	25 -3.9	30 -1.1	35 1.7	40 4.4	45 7.2	55 12.8
100 (37.8)	700	890	1050	1240	1470	1720	2010	2310	2650	3000	3350	4110
120 (48.9)			780	930	1120	1340	1590	1860	2150	2450	2770	3450
140 (60.0)					800	990	1200	1430	1690	1960	2250	2850

CAPACITY (WATTS)

CONDENSING TEMPERATURE °F/°C	EVAPORATING TEMPERATURE °F/°C											
	-10 23.3	0 -17.8	5 -15	10 -12.2	15 -9.4	20 -6.7	25 -3.9	30 -1.1	35 1.7	40 4.4	45 7.2	55 12.8
100 (37.8)	820	1040	1220	1440	1710	2000	2330	2690	3080	3490	3900	4780
120 (48.9)			910	1090	1310	1560	1850	2160	2500	2850	3220	4010
140 (60.0)					930	1150	1390	1670	1970	2280	2620	3310

POWER (MOTOR WATTS)

CONDENSING TEMPERATURE °F/°C	EVAPORATING TEMPERATURE °F/°C											
	-10 23.3	0 -17.8	5 -15	10 -12.2	15 -9.4	20 -6.7	25 -3.9	30 -1.1	35 1.7	40 4.4	45 7.2	55 12.8
100 (37.8)	475	534	573	618	665	715	763	810	854	892	923	958
120 (48.9)			565	619	678	740	802	863	922	977	1030	1100
140 (60.0)					654	731	810	889	966	1040	1110	1230

Production compressors to meet above nominal performance values within ± 5%.

50 HERTZ

PERFORMANCE DATA

R134a

65 °F (18.3 °C) Return Gas

0 °F (0 °K) Subcooling

95° F (35° C) Ambient (Air Over)

220/240-1-50 (PFJ) Rated Voltage

220-1-50 (PFJ) Test Voltage

CS14K6E-PFJ

CAPACITY (BTU/HOUR)

°F/°C	CONDENSING TEMPERATURE					EVAPORATING TEMPERATURE °F/°C						
	-10 23.3	0 -17.8	5 -15	10 -12.2	15 -9.4	20 -6.7	25 -3.9	30 -1.1	35 1.7	40 4.4	45 7.2	55 12.8
100 (37.8)	2160	3880	4880	5990	7240	8630	10200	11900	13800	16000	18300	23800
120 (48.9)			3200	4190	5280	6470	7790	9260	10900	12700	14700	19300
140 (60.0)					3410	4410	5500	6690	8010	9460	11100	14800

CAPACITY (KCAL/HOUR)

°F/°C	CONDENSING TEMPERATURE					EVAPORATING TEMPERATURE °F/°C						
	-10 23.3	0 -17.8	5 -15	10 -12.2	15 -9.4	20 -6.7	25 -3.9	30 -1.1	35 1.7	40 4.4	45 7.2	55 12.8
100 (37.8)	540	980	1230	1510	1820	2170	2570	3000	3480	4030	4610	6000
120 (48.9)			810	1060	1330	1630	1960	2330	2750	3200	3700	4860
140 (60.0)					860	1110	1390	1690	2020	2380	2800	3730

CAPACITY (WATTS)

°F/°C	CONDENSING TEMPERATURE					EVAPORATING TEMPERATURE °F/°C						
	-10 23.3	0 -17.8	5 -15	10 -12.2	15 -9.4	20 -6.7	25 -3.9	30 -1.1	35 1.7	40 4.4	45 7.2	55 12.8
100 (37.8)	630	1140	1430	1760	2120	2530	2990	3490	4040	4690	5360	6970
120 (48.9)			940	1230	1550	1900	2280	2710	3190	3720	4310	5650
140 (60.0)					1000	1290	1610	1960	2350	2770	3250	4340

POWER (MOTOR WATTS)

°F/°C	CONDENSING TEMPERATURE					EVAPORATING TEMPERATURE °F/°C						
	-10 23.3	0 -17.8	5 -15	10 -12.2	15 -9.4	20 -6.7	25 -3.9	30 -1.1	35 1.7	40 4.4	45 7.2	55 12.8
100 (37.8)	621	755	820	883	942	997	1050	1100	1140	1170	1200	1240
120 (48.9)			764	850	933	1010	1090	1160	1230	1290	1350	1440
140 (60.0)					869	974	1080	1170	1270	1360	1440	1590

CS14K6E-PFV

200-1-50 (PFV) Rated Voltage

200-1-50 (PFV) Test Voltage

CAPACITY (BTU/HOUR)

°F/°C	CONDENSING TEMPERATURE					EVAPORATING TEMPERATURE °F/°C						
	-10 23.3	0 -17.8	5 -15	10 -12.2	15 -9.4	20 -6.7	25 -3.9	30 -1.1	35 1.7	40 4.4	45 7.2	55 12.8
100 (37.8)	2200	3960	4980	6110	7380	8800	10400	12200	14100	16300	18700	24300
120 (48.9)			3270	4280	5380	6600	7950	9440	11100	12900	15000	19600
140 (60.0)					3480	4500	5610	6830	8170	9650	11300	15100

CAPACITY (KCAL/HOUR)

°F/°C	CONDENSING TEMPERATURE					EVAPORATING TEMPERATURE °F/°C						
	-10 23.3	0 -17.8	5 -15	10 -12.2	15 -9.4	20 -6.7	25 -3.9	30 -1.1	35 1.7	40 4.4	45 7.2	55 12.8
100 (37.8)	550	1000	1250	1540	1860	2220	2620	3070	3550	4110	4710	6120
120 (48.9)			820	1080	1360	1660	2000	2380	2800	3250	3780	4940
140 (60.0)					880	1130	1410	1720	2060	2430	2850	3810

CAPACITY (WATTS)

°F/°C	CONDENSING TEMPERATURE					EVAPORATING TEMPERATURE °F/°C						
	-10 23.3	0 -17.8	5 -15	10 -12.2	15 -9.4	20 -6.7	25 -3.9	30 -1.1	35 1.7	40 4.4	45 7.2	55 12.8
100 (37.8)	640	1160	1460	1790	2160	2580	3050	3570	4130	4780	5480	7120
120 (48.9)			960	1250	1580	1930	2330	2770	3250	3780	4400	5740
140 (60.0)					1020	1320	1640	2000	2390	2830	3310	4420

POWER (MOTOR WATTS)

°F/°C	CONDENSING TEMPERATURE					EVAPORATING TEMPERATURE °F/°C						
	-10 23.3	0 -17.8	5 -15	10 -12.2	15 -9.4	20 -6.7	25 -3.9	30 -1.1	35 1.7	40 4.4	45 7.2	55 12.8
100 (37.8)	627	763	828	891	951	1010	1060	1110	1150	1180	1210	1250
120 (48.9)			771	858	942	1020	1100	1170	1240	1310	1360	1460
140 (60.0)					878	983	1090	1180	1280	1370	1450	1610

Production compressors to meet above nominal performance values within ± 5%.

50 HERTZ

PERFORMANCE DATA

R134a

65 °F (18.3 °C) Return Gas		0 °F (0 °K) Subcooling				95° F (35° C) Ambient (Air Over)					
200/220-3-50 (TF5) 380/420-3-50 (TFD)		Rated Voltage				220-3-50 (TF5) 380-3-50 (TFD)		Test Voltage			

CS14K6E-TF5/D

CAPACITY (BTU/HOUR)

CONDENSING TEMPERATURE °F/°C	EVAPORATING TEMPERATURE °F/°C											
	-10 23.3	0 -17.8	5 -15	10 -12.2	15 -9.4	20 -6.7	25 -3.9	30 -1.1	35 1.7	40 4.4	45 7.2	55 12.8
100 (37.8)	3280	4160	4890	5790	6840	8040	9370	10800	12300	14000	15600	19200
120 (48.9)			3640	4370	5250	6270	7420	8680	10000	11500	13000	16100
140 (60.0)					3720	4600	5590	6690	7890	9160	10500	13300

CAPACITY (KCAL/HOUR)

CONDENSING TEMPERATURE °F/°C	EVAPORATING TEMPERATURE °F/°C											
	-10 23.3	0 -17.8	5 -15	10 -12.2	15 -9.4	20 -6.7	25 -3.9	30 -1.1	35 1.7	40 4.4	45 7.2	55 12.8
100 (37.8)	830	1050	1230	1460	1720	2030	2360	2720	3100	3530	3930	4840
120 (48.9)			920	1100	1320	1580	1870	2190	2520	2900	3280	4060
140 (60.0)					940	1160	1410	1690	1990	2310	2650	3350

CAPACITY (WATTS)

CONDENSING TEMPERATURE °F/°C	EVAPORATING TEMPERATURE °F/°C											
	-10 23.3	0 -17.8	5 -15	10 -12.2	15 -9.4	20 -6.7	25 -3.9	30 -1.1	35 1.7	40 4.4	45 7.2	55 12.8
100 (37.8)	960	1220	1430	1700	2000	2360	2750	3160	3600	4100	4570	5630
120 (48.9)			1070	1280	1540	1840	2170	2540	2930	3370	3810	4720
140 (60.0)					1090	1350	1640	1960	2310	2680	3080	3900

POWER (MOTOR WATTS)

CONDENSING TEMPERATURE °F/°C	EVAPORATING TEMPERATURE °F/°C											
	-10 23.3	0 -17.8	5 -15	10 -12.2	15 -9.4	20 -6.7	25 -3.9	30 -1.1	35 1.7	40 4.4	45 7.2	55 12.8
100 (37.8)	558	626	672	725	781	838	896	951	1000	1050	1080	1120
120 (48.9)			662	726	796	868	941	1010	1080	1150	1200	1290
140 (60.0)					768	858	950	1040	1130	1220	1300	1440

CS18K6E-PFJ

220/240-1-50 (PFJ) Rated Voltage

220-1-50 (PFJ) Test Voltage

CAPACITY (BTU/HOUR)

CONDENSING TEMPERATURE °F/°C	EVAPORATING TEMPERATURE °F/°C											
	-10 23.3	0 -17.8	5 -15	10 -12.2	15 -9.4	20 -6.7	25 -3.9	30 -1.1	35 1.7	40 4.4	45 7.2	55 12.8
100 (37.8)	2900	5210	6550	8050	9720	11600	13700	16000	18600	21500	24600	32000
120 (48.9)			4300	5630	7090	8690	10500	12400	14600	17000	19700	25900
140 (60.0)					4580	5920	7380	8980	10800	12700	14900	19900

CAPACITY (KCAL/HOUR)

CONDENSING TEMPERATURE °F/°C	EVAPORATING TEMPERATURE °F/°C											
	-10 23.3	0 -17.8	5 -15	10 -12.2	15 -9.4	20 -6.7	25 -3.9	30 -1.1	35 1.7	40 4.4	45 7.2	55 12.8
100 (37.8)	730	1310	1650	2030	2450	2920	3450	4030	4690	5420	6200	8060
120 (48.9)			1080	1420	1790	2190	2650	3120	3680	4280	4960	6530
140 (60.0)					1150	1490	1860	2260	2720	3200	3750	5010

CAPACITY (WATTS)

CONDENSING TEMPERATURE °F/°C	EVAPORATING TEMPERATURE °F/°C											
	-10 23.3	0 -17.8	5 -15	10 -12.2	15 -9.4	20 -6.7	25 -3.9	30 -1.1	35 1.7	40 4.4	45 7.2	55 12.8
100 (37.8)	850	1530	1920	2360	2850	3400	4010	4690	5450	6300	7210	9380
120 (48.9)			1260	1650	2080	2550	3080	3630	4280	4980	5770	7590
140 (60.0)					1340	1730	2160	2630	3160	3720	4370	5830

POWER (MOTOR WATTS)

CONDENSING TEMPERATURE °F/°C	EVAPORATING TEMPERATURE °F/°C											
	-10 23.3	0 -17.8	5 -15	10 -12.2	15 -9.4	20 -6.7	25 -3.9	30 -1.1	35 1.7	40 4.4	45 7.2	55 12.8
100 (37.8)	830	1010	1100	1180	1260	1330	1400	1470	1520	1570	1610	1660
120 (48.9)			1020	1140	1250	1360	1460	1560	1650	1730	1810	1930
140 (60.0)					1160	1300	1440	1570	1700	1710	1930	2130

Production compressors to meet above nominal performance values within ± 5%.

50 HERTZ

PERFORMANCE DATA

R134a

65 °F (18.3 °C) Return Gas

0 °F (0 °K) Subcooling

95° F (35° C) Ambient (Air Over)

200-1-50 (PFV) Rated Voltage

200-1-50 (PFV) Test Voltage

CS18K6E-PFV

CAPACITY (BTU/HOUR)

CONDENSING TEMPERATURE °F/°C	EVAPORATING TEMPERATURE °F/°C											
	-10 23.3	0 -17.8	5 -15	10 -12.2	15 -9.4	20 -6.7	25 -3.9	30 -1.1	35 1.7	40 4.4	45 7.2	55 12.8
100 (37.8)	2940	5270	6630	8150	9840	11700	13800	16200	18800	21700	24900	32400
120 (48.9)			4350	5700	7170	8800	10600	12600	14800	17200	19900	26200
140 (60.0)				4640	5990	7470	9090	10900	12900	15000	20100	

CAPACITY (KCAL/HOUR)

CONDENSING TEMPERATURE °F/°C	EVAPORATING TEMPERATURE °F/°C											
	-10 23.3	0 -17.8	5 -15	10 -12.2	15 -9.4	20 -6.7	25 -3.9	30 -1.1	35 1.7	40 4.4	45 7.2	55 12.8
100 (37.8)	740	1330	1670	2050	2480	2950	3480	4080	4740	5470	6270	8160
120 (48.9)			1100	1440	1810	2220	2670	3180	3730	4330	5010	6600
140 (60.0)				1170	1510	1880	2290	2750	3250	3780	4400	5070

CAPACITY (WATTS)

CONDENSING TEMPERATURE °F/°C	EVAPORATING TEMPERATURE °F/°C											
	-10 23.3	0 -17.8	5 -15	10 -12.2	15 -9.4	20 -6.7	25 -3.9	30 -1.1	35 1.7	40 4.4	45 7.2	55 12.8
100 (37.8)	860	1540	1940	2390	2880	3430	4040	4750	5510	6360	7300	9490
120 (48.9)			1270	1670	2100	2580	3110	3690	4340	5040	5830	7680
140 (60.0)				1360	1760	2190	2660	3190	3780	4400	5070	5890

POWER (MOTOR WATTS)

CONDENSING TEMPERATURE °F/°C	EVAPORATING TEMPERATURE °F/°C											
	-10 23.3	0 -17.8	5 -15	10 -12.2	15 -9.4	20 -6.7	25 -3.9	30 -1.1	35 1.7	40 4.4	45 7.2	55 12.8
100 (37.8)	835	1020	1100	1190	1270	1340	1410	1470	1530	1580	1620	1670
120 (48.9)			1030	1140	1260	1360	1470	1560	1660	1740	1820	1940
140 (60.0)				1170	1310	1450	1580	1700	1820	1940	2140	

CS18K6E-TF5/D

200/220-3-50 (TF5) 380/420-3-50 (TFD)	Rated Voltage	220-3-50 (TF5) 380-3-50 (TFD)	Test Voltage
--	---------------	----------------------------------	--------------

CAPACITY (BTU/HOUR)

CONDENSING TEMPERATURE °F/°C	EVAPORATING TEMPERATURE °F/°C											
	-10 23.3	0 -17.8	5 -15	10 -12.2	15 -9.4	20 -6.7	25 -3.9	30 -1.1	35 1.7	40 4.4	45 7.2	55 12.8
100 (37.8)	4880	6200	7280	8620	10200	12000	13900	16100	18400	20800	23300	28500
120 (48.9)			5410	6500	7810	9340	11000	12900	14900	17100	19300	24000
140 (60.0)				5540	6840	8320	9960	11700	13600	15600	18000	19800

CAPACITY (KCAL/HOUR)

CONDENSING TEMPERATURE °F/°C	EVAPORATING TEMPERATURE °F/°C											
	-10 23.3	0 -17.8	5 -15	10 -12.2	15 -9.4	20 -6.7	25 -3.9	30 -1.1	35 1.7	40 4.4	45 7.2	55 12.8
100 (37.8)	1230	1560	1830	2170	2570	3020	3500	4060	4640	5240	5870	7180
120 (48.9)			1360	1640	1970	2350	2770	3250	3750	4310	4860	6050
140 (60.0)				1400	1720	2100	2510	2950	3430	3930	4490	4990

CAPACITY (WATTS)

CONDENSING TEMPERATURE °F/°C	EVAPORATING TEMPERATURE °F/°C											
	-10 23.3	0 -17.8	5 -15	10 -12.2	15 -9.4	20 -6.7	25 -3.9	30 -1.1	35 1.7	40 4.4	45 7.2	55 12.8
100 (37.8)	1430	1820	2130	2530	2990	3520	4070	4720	5390	6090	6830	8350
120 (48.9)			1590	1900	2290	2740	3220	3780	4370	5010	5650	7030
140 (60.0)				1620	2000	2440	2920	3430	3980	4570	5170	5800

POWER (MOTOR WATTS)

CONDENSING TEMPERATURE °F/°C	EVAPORATING TEMPERATURE °F/°C											
	-10 23.3	0 -17.8	5 -15	10 -12.2	15 -9.4	20 -6.7	25 -3.9	30 -1.1	35 1.7	40 4.4	45 7.2	55 12.8
100 (37.8)	806	905	973	1050	1130	1210	1300	1370	1450	1510	1570	1620
120 (48.9)			958	1050	1150	1250	1360	1460	1560	1660	1740	1870
140 (60.0)				1110	1240	1370	1510	1640	1770	1880	2080	

Production compressors to meet above nominal performance values within ± 5%.

50 HERTZ

PERFORMANCE DATA

R134a

65 °F (18.3 °C) Return Gas

0 °F (0 °K) Subcooling

95° F (35° C) Ambient (Air Over)

200-1-50 (PFV) Rated Voltage

200-1-50 (PFV) Test Voltage

CS20K6E-PFV

CAPACITY (BTU/HOUR)

CONDENSING TEMPERATURE °F/°C	EVAPORATING TEMPERATURE °F/°C											
	-10 23.3	0 -17.8	5 -15	10 -12.2	15 -9.4	20 -6.7	25 -3.9	30 -1.1	35 1.7	40 4.4	45 7.2	55 12.8
100 (37.8)	3370	6040	7600	9330	11300	13400	15900	18600	21600	24900	28600	37100
120 (48.9)			4990	6530	8220	10100	12100	14400	16900	19700	22800	30000
140 (60.0)					5310	6870	8560	10400	12500	14700	17200	23100

CAPACITY (KCAL/HOUR)

CONDENSING TEMPERATURE °F/°C	EVAPORATING TEMPERATURE °F/°C											
	-10 23.3	0 -17.8	5 -15	10 -12.2	15 -9.4	20 -6.7	25 -3.9	30 -1.1	35 1.7	40 4.4	45 7.2	55 12.8
100 (37.8)	850	1520	1920	2350	2850	3380	4010	4690	5440	6270	7210	9350
120 (48.9)			1260	1650	2070	2550	3050	3630	4260	4960	5750	7560
140 (60.0)					1340	1730	2160	2620	3150	3700	4330	5820

CAPACITY (WATTS)

CONDENSING TEMPERATURE °F/°C	EVAPORATING TEMPERATURE °F/°C											
	-10 23.3	0 -17.8	5 -15	10 -12.2	15 -9.4	20 -6.7	25 -3.9	30 -1.1	35 1.7	40 4.4	45 7.2	55 12.8
100 (37.8)	990	1770	2230	2730	3310	3930	4660	5450	6330	7300	8380	10870
120 (48.9)			1460	1910	2410	2960	3550	4220	4950	5770	6680	8790
140 (60.0)					1560	2010	2510	3050	3660	4310	5040	6770

POWER (MOTOR WATTS)

CONDENSING TEMPERATURE °F/°C	EVAPORATING TEMPERATURE °F/°C											
	-10 23.3	0 -17.8	5 -15	10 -12.2	15 -9.4	20 -6.7	25 -3.9	30 -1.1	35 1.7	40 4.4	45 7.2	55 12.8
100 (37.8)	930	1130	1230	1320	1410	1490	1570	1640	1700	1760	1800	1860
120 (48.9)			1140	1270	1400	1520	1630	1740	1850	1940	2020	2160
140 (60.0)					1300	1460	1610	1760	1900	2030	2160	2380

CS20K6E-PFZ

220/240-1-50 (PFZ) Rated Voltage

220-1-50 (PFZ) Test Voltage

CAPACITY (BTU/HOUR)

CONDENSING TEMPERATURE °F/°C	EVAPORATING TEMPERATURE °F/°C											
	-10 23.3	0 -17.8	5 -15	10 -12.2	15 -9.4	20 -6.7	25 -3.9	30 -1.1	35 1.7	40 4.4	45 7.2	55 12.8
100 (37.8)	3330	5870	7360	9030	10900	13000	15300	18000	20800	24100	27600	35800
120 (48.9)			5170	6590	8180	9950	11900	14100	16600	19300	22300	29300
140 (60.0)					5630	7010	8550	10300	12200	14400	16800	22400

CAPACITY (KCAL/HOUR)

CONDENSING TEMPERATURE °F/°C	EVAPORATING TEMPERATURE °F/°C											
	-10 23.3	0 -17.8	5 -15	10 -12.2	15 -9.4	20 -6.7	25 -3.9	30 -1.1	35 1.7	40 4.4	45 7.2	55 12.8
100 (37.8)	840	1480	1850	2280	2750	3280	3860	4540	5240	6070	6960	9020
120 (48.9)			1300	1660	2060	2510	3000	3550	4180	4860	5620	7380
140 (60.0)					1420	1770	2150	2600	3070	3630	4230	5640

CAPACITY (WATTS)

CONDENSING TEMPERATURE °F/°C	EVAPORATING TEMPERATURE °F/°C											
	-10 23.3	0 -17.8	5 -15	10 -12.2	15 -9.4	20 -6.7	25 -3.9	30 -1.1	35 1.7	40 4.4	45 7.2	55 12.8
100 (37.8)	980	1720	2160	2650	3190	3810	4480	5270	6090	7060	8090	10490
120 (48.9)			1510	1930	2400	2920	3490	4130	4860	5650	6530	8580
140 (60.0)					1650	2050	2510	3020	3570	4220	4920	6560

POWER (MOTOR WATTS)

CONDENSING TEMPERATURE °F/°C	EVAPORATING TEMPERATURE °F/°C											
	-10 23.3	0 -17.8	5 -15	10 -12.2	15 -9.4	20 -6.7	25 -3.9	30 -1.1	35 1.7	40 4.4	45 7.2	55 12.8
100 (37.8)	775	970	1070	1160	1250	1340	1430	1510	1580	1640	1700	1780
120 (48.9)			1030	1150	1270	1390	1500	1620	1730	1830	1930	2110
140 (60.0)					1200	1350	1490	1630	1770	1910	2040	2300

Production compressors to meet above nominal performance values within ± 5%.

50 HERTZ

PERFORMANCE DATA

R134a

65 °F (18.3 °C) Return Gas

0 °F (0 °K) Subcooling

95° F (35° C) Ambient (Air Over)

200/220-3-50 (TF5)
380/420-3-50 (TFD)

Rated Voltage

220-3-50 (TF5)
380-3-50 (TFD)

Test Voltage

CS20K6E-TF5/D

CAPACITY (BTU/HOUR)

CONDENSING TEMPERATURE °F/°C	EVAPORATING TEMPERATURE °F/°C											
	-10 23.3	0 -17.8	5 -15	10 -12.2	15 -9.4	20 -6.7	25 -3.9	30 -1.1	35 1.7	40 4.4	45 7.2	55 12.8
100 (37.8)	5480	6960	8170	9680	11400	13400	15700	18100	20600	23300	26100	32000
120 (48.9)			6080	7300	8770	10500	12400	14500	16800	19200	21700	26900
140 (60.0)					6220	7680	9340	11200	13200	15300	17600	22200

CAPACITY (KCAL/HOUR)

CONDENSING TEMPERATURE °F/°C	EVAPORATING TEMPERATURE °F/°C											
	-10 23.3	0 -17.8	5 -15	10 -12.2	15 -9.4	20 -6.7	25 -3.9	30 -1.1	35 1.7	40 4.4	45 7.2	55 12.8
100 (37.8)	1380	1750	2060	2440	2870	3380	3960	4560	5190	5870	6580	8060
120 (48.9)			1530	1840	2210	2650	3120	3650	4230	4840	5470	6780
140 (60.0)					1570	1940	2350	2820	3330	3860	4440	5590

CAPACITY (WATTS)

CONDENSING TEMPERATURE °F/°C	EVAPORATING TEMPERATURE °F/°C											
	-10 23.3	0 -17.8	5 -15	10 -12.2	15 -9.4	20 -6.7	25 -3.9	30 -1.1	35 1.7	40 4.4	45 7.2	55 12.8
100 (37.8)	1610	2040	2390	2840	3340	3930	4600	5300	6040	6830	7650	9380
120 (48.9)			1780	2140	2570	3080	3630	4250	4920	5630	6360	7880
140 (60.0)					1820	2250	2740	3280	3870	4480	5160	6500

POWER (MOTOR WATTS)

CONDENSING TEMPERATURE °F/°C	EVAPORATING TEMPERATURE °F/°C											
	-10 23.3	0 -17.8	5 -15	10 -12.2	15 -9.4	20 -6.7	25 -3.9	30 -1.1	35 1.7	40 4.4	45 7.2	55 12.8
100 (37.8)	895	1000	1080	1160	1250	1350	1440	1530	1610	1680	1740	1800
120 (48.9)			1060	1170	1280	1390	1510	1630	1740	1840	1930	2070
140 (60.0)					1230	1380	1520	1670	1820	1960	2090	2310

CS24K6E-PFZ

CAPACITY (BTU/HOUR)

220/240-1-50 (PFZ) Rated Voltage

220-1-50 (PFZ) Test Voltage

CONDENSING TEMPERATURE °F/°C	EVAPORATING TEMPERATURE °F/°C											
	-10 23.3	0 -17.8	5 -15	10 -12.2	15 -9.4	20 -6.7	25 -3.9	30 -1.1	35 1.7	40 4.4	45 7.2	55 12.8
100 (37.8)												
120 (48.9)												
140 (60.0)												

CAPACITY (KCAL/HOUR)

CONDENSING TEMPERATURE °F/°C	EVAPORATING TEMPERATURE °F/°C											
	-10 23.3	0 -17.8	5 -15	10 -12.2	15 -9.4	20 -6.7	25 -3.9	30 -1.1	35 1.7	40 4.4	45 7.2	55 12.8
100 (37.8)												
120 (48.9)												
140 (60.0)												

CAPACITY (WATTS)

CONDENSING TEMPERATURE °F/°C	EVAPORATING TEMPERATURE °F/°C											
	-10 23.3	0 -17.8	5 -15	10 -12.2	15 -9.4	20 -6.7	25 -3.9	30 -1.1	35 1.7	40 4.4	45 7.2	55 12.8
100 (37.8)												
120 (48.9)												
140 (60.0)												

POWER (MOTOR WATTS)

CONDENSING TEMPERATURE °F/°C	EVAPORATING TEMPERATURE °F/°C											
	-10 23.3	0 -17.8	5 -15	10 -12.2	15 -9.4	20 -6.7	25 -3.9	30 -1.1	35 1.7	40 4.4	45 7.2	55 12.8
100 (37.8)												
120 (48.9)												
140 (60.0)												

Production compressors to meet above nominal performance values within ± 5%.

50 HERTZ

PERFORMANCE DATA

R134a

65 °F (18.3 °C) Return Gas

0 °F (0 °K) Subcooling

95° F (35° C) Ambient (Air Over)

200-1-50 (PFV) Rated Voltage

200-1-50 (PFV) Test Voltage

CS27K6E-PFV

CAPACITY (BTU/HOUR)

CONDENSING TEMPERATURE °F/°C	EVAPORATING TEMPERATURE °F/°C											
	-10 23.3	0 -17.8	5 -15	10 -12.2	15 -9.4	20 -6.7	25 -3.9	30 -1.1	35 1.7	40 4.4	45 7.2	55 12.8
100 (37.8)	5710	8940	10700	12600	14700	17100	19800	23000	26600	30800	35600	47200
120 (48.9)			8260	9970	11800	13900	16200	18900	22000	25500	29600	39500
140 (60.0)					8810	10500	12300	14400	16900	19700	23000	31100

CAPACITY (KCAL/HOUR)

°F/°C	EVAPORATING TEMPERATURE °F/°C											
	-10 23.3	0 -17.8	5 -15	10 -12.2	15 -9.4	20 -6.7	25 -3.9	30 -1.1	35 1.7	40 4.4	45 7.2	55 12.8
100 (37.8)	1440	2250	2700	3180	3700	4310	4990	5800	6700	7760	8970	11890
120 (48.9)			2080	2510	2970	3500	4080	4760	5540	6430	7460	9950
140 (60.0)					2220	2650	3100	3630	4260	4960	5800	7840

CAPACITY (WATTS)

°F/°C	EVAPORATING TEMPERATURE °F/°C											
	-10 23.3	0 -17.8	5 -15	10 -12.2	15 -9.4	20 -6.7	25 -3.9	30 -1.1	35 1.7	40 4.4	45 7.2	55 12.8
100 (37.8)	1670	2620	3140	3690	4310	5010	5800	6740	7790	9020	10430	13830
120 (48.9)			2420	2920	3460	4070	4750	5540	6450	7470	8670	11570
140 (60.0)					2580	3080	3600	4220	4950	5770	6740	9110

POWER (MOTOR WATTS)

°F/°C	EVAPORATING TEMPERATURE °F/°C											
	-10 23.3	0 -17.8	5 -15	10 -12.2	15 -9.4	20 -6.7	25 -3.9	30 -1.1	35 1.7	40 4.4	45 7.2	55 12.8
100 (37.8)	1280	1520	1630	1740	1850	1960	2070	2180	2290	2400	2520	2770
120 (48.9)			1650	1800	1940	2090	2230	2380	2520	2680	2830	3160
140 (60.0)					1930	2100	2280	2450	2630	2820	3010	3400

CS27K6E-PFZ

220/240-1-50 (PFZ) Rated Voltage

220-1-50 (PFZ) Test Voltage

CAPACITY (BTU/HOUR)

CONDENSING TEMPERATURE °F/°C	EVAPORATING TEMPERATURE °F/°C											
	-10 23.3	0 -17.8	5 -15	10 -12.2	15 -9.4	20 -6.7	25 -3.9	30 -1.1	35 1.7	40 4.4	45 7.2	55 12.8
100 (37.8)												
120 (48.9)												
140 (60.0)												

CAPACITY (KCAL/HOUR)

°F/°C	EVAPORATING TEMPERATURE °F/°C											
	-10 23.3	0 -17.8	5 -15	10 -12.2	15 -9.4	20 -6.7	25 -3.9	30 -1.1	35 1.7	40 4.4	45 7.2	55 12.8
100 (37.8)												
120 (48.9)												
140 (60.0)												

CAPACITY (WATTS)

°F/°C	EVAPORATING TEMPERATURE °F/°C											
	-10 23.3	0 -17.8	5 -15	10 -12.2	15 -9.4	20 -6.7	25 -3.9	30 -1.1	35 1.7	40 4.4	45 7.2	55 12.8
100 (37.8)												
120 (48.9)												
140 (60.0)												

POWER (MOTOR WATTS)

°F/°C	EVAPORATING TEMPERATURE °F/°C											
	-10 23.3	0 -17.8	5 -15	10 -12.2	15 -9.4	20 -6.7	25 -3.9	30 -1.1	35 1.7	40 4.4	45 7.2	55 12.8
100 (37.8)												
120 (48.9)												
140 (60.0)												

Production compressors to meet above nominal performance values within ± 5%.

50 HERTZ

PERFORMANCE DATA

R134a

65 °F (18.3 °C) Return Gas

0 °F (0 °K) Subcooling

95° F (35° C) Ambient (Air Over)

200/220-3-50 (TF5)
380/420-3-50 (TFD)

Rated Voltage

220-3-50 (TF5)
380-3-50 (TFD)

Test Voltage

CS27K6E-TF5/D

CAPACITY (BTU/HOUR)

CONDENSING TEMPERATURE °F/°C	EVAPORATING TEMPERATURE °F/°C											
	-10 23.3	0 -17.8	5 -15	10 -12.2	15 -9.4	20 -6.7	25 -3.9	30 -1.1	35 1.7	40 4.4	45 7.2	55 12.8
100 (37.8)	4480	9010	11000	13000	15100	17400	19900	22900	26400	30500	35300	47600
120 (48.9)			8480	10300	12100	14000	16200	18700	21600	25000	29100	39700
140 (60.0)					8670	10200	11800	13700	16000	18700	22000	30700

CAPACITY (KCAL/HOUR)

CONDENSING TEMPERATURE °F/°C	EVAPORATING TEMPERATURE °F/°C											
	-10 23.3	0 -17.8	5 -15	10 -12.2	15 -9.4	20 -6.7	25 -3.9	30 -1.1	35 1.7	40 4.4	45 7.2	55 12.8
100 (37.8)	1130	2270	2770	3280	3810	4380	5010	5770	6650	7690	8900	12000
120 (48.9)			2140	2600	3050	3530	4080	4710	5440	6300	7330	10000
140 (60.0)					2180	2570	2970	3450	4030	4710	5540	7740

CAPACITY (WATTS)

CONDENSING TEMPERATURE °F/°C	EVAPORATING TEMPERATURE °F/°C											
	-10 23.3	0 -17.8	5 -15	10 -12.2	15 -9.4	20 -6.7	25 -3.9	30 -1.1	35 1.7	40 4.4	45 7.2	55 12.8
100 (37.8)	1310	2640	3220	3810	4420	5100	5830	6710	7740	8940	10340	13950
120 (48.9)			2480	3020	3550	4100	4750	5480	6330	7330	8530	11630
140 (60.0)					2540	2990	3460	4010	4690	5480	6450	9000

POWER (MOTOR WATTS)

CONDENSING TEMPERATURE °F/°C	EVAPORATING TEMPERATURE °F/°C											
	-10 23.3	0 -17.8	5 -15	10 -12.2	15 -9.4	20 -6.7	25 -3.9	30 -1.1	35 1.7	40 4.4	45 7.2	55 12.8
100 (37.8)	1050	1380	1530	1660	1780	1890	2000	2100	2210	2320	2440	2700
120 (48.9)			1510	1680	1840	1990	2130	2280	2430	2580	2740	3090
140 (60.0)					1780	1960	2140	2320	2500	2690	2880	3310

Production compressors to meet above nominal performance values within ± 5%.

50 HERTZ

PERFORMANCE DATA

R404A

40 °F (4.4 °C) Return Gas

0 F° (0 °K) Subcooling

95° F (35° C) Ambient (Air Over)

200-1-50 (PFV) Rated Voltage

200-1-50 (PFV) Test Voltage

CS08KQE-PFV

CAPACITY (BTU/HOUR)

CONDENSING TEMPERATURE °F/°C	EVAPORATING TEMPERATURE °F/°C										
	-25 -31.7	-15 -26.1	-10 -23.3	-5 -20.6	0 -17.8	5 -15	10 -12.2	15 -9.4	20 -6.7	25 -3.8	30 -1.1
80 (26.7)											
100 (37.8)											
120 (48.9)											

CAPACITY (KCAL/HOUR)

°F/°C	EVAPORATING TEMPERATURE °F/°C										
	-25 -31.7	-15 -26.1	-10 -23.3	-5 -20.6	0 -17.8	5 -15	10 -12.2	15 -9.4	20 -6.7	25 -3.8	30 -1.1
80 (26.7)											
100 (37.8)											
120 (48.9)											

CAPACITY (WATTS)

°F/°C	EVAPORATING TEMPERATURE °F/°C										
	-25 -31.7	-15 -26.1	-10 -23.3	-5 -20.6	0 -17.8	5 -15	10 -12.2	15 -9.4	20 -6.7	25 -3.8	30 -1.1
80 (26.7)											
100 (37.8)											
120 (48.9)											

POWER (MOTOR WATTS)

°F/°C	EVAPORATING TEMPERATURE °F/°C										
	-25 -31.7	-15 -26.1	-10 -23.3	-5 -20.6	0 -17.8	5 -15	10 -12.2	15 -9.4	20 -6.7	25 -3.8	30 -1.1
80 (26.7)											
100 (37.8)											
120 (48.9)											

CS08KQE-PFZ

220/240-1-50 (PFZ) Rated Voltage

220-1-50 (PFZ) Test Voltage

CAPACITY (BTU/HOUR)

CONDENSING TEMPERATURE °F/°C	EVAPORATING TEMPERATURE °F/°C										
	-25 -31.7	-15 -26.1	-10 -23.3	-5 -20.6	0 -17.8	5 -15	10 -12.2	15 -9.4	20 -6.7	25 -3.8	30 -1.1
80 (26.7)											
100 (37.8)											
120 (48.9)											

CAPACITY (KCAL/HOUR)

°F/°C	EVAPORATING TEMPERATURE °F/°C										
	-25 -31.7	-15 -26.1	-10 -23.3	-5 -20.6	0 -17.8	5 -15	10 -12.2	15 -9.4	20 -6.7	25 -3.8	30 -1.1
80 (26.7)											
100 (37.8)											
120 (48.9)											

CAPACITY (WATTS)

°F/°C	EVAPORATING TEMPERATURE °F/°C										
	-25 -31.7	-15 -26.1	-10 -23.3	-5 -20.6	0 -17.8	5 -15	10 -12.2	15 -9.4	20 -6.7	25 -3.8	30 -1.1
80 (26.7)											
100 (37.8)											
120 (48.9)											

POWER (MOTOR WATTS)

°F/°C	EVAPORATING TEMPERATURE °F/°C										
	-25 -31.7	-15 -26.1	-10 -23.3	-5 -20.6	0 -17.8	5 -15	10 -12.2	15 -9.4	20 -6.7	25 -3.8	30 -1.1
80 (26.7)											
100 (37.8)											
120 (48.9)											

Production compressors to meet above nominal performance values within ± 5%.

50 HERTZ

PERFORMANCE DATA

R404A

40 °F (4.4 °C) Return Gas

0 °F (0 °K) Subcooling

95° F (35° C) Ambient (Air Over)

220/240-1-50 (PFJ) Rated Voltage

220-1-50 (PFJ) Test Voltage

CS10K6E-PFJ

CAPACITY (BTU/HOUR)

CONDENSING TEMPERATURE °F/°C	EVAPORATING TEMPERATURE °F/°C										
	-25 -31.7	-15 -26.1	-10 -23.3	-5 -20.6	0 -17.8	5 -15	10 -12.2	15 -9.4	20 -6.7	25 -3.8	30 -1.1
80 (26.7)	3010	4970	6070	7270	8580	10000	11600	13300	15100	17100	19300
100 (37.8)	1550	3320	4270	5270	6350	7500	8750	10100	11600	13100	14900
120 (48.9)	700	1480	2320	3180	4080	5010	5990	7040	8160	9370	10700

CAPACITY (KCAL/HOUR)

CONDENSING TEMPERATURE °F/°C	EVAPORATING TEMPERATURE °F/°C										
	-25 -31.7	-15 -26.1	-10 -23.3	-5 -20.6	0 -17.8	5 -15	10 -12.2	15 -9.4	20 -6.7	25 -3.8	30 -1.1
80 (26.7)	760	1250	1530	1830	2160	2520	2920	3350	3810	4310	4860
100 (37.8)	390	840	1080	1330	1600	1890	2210	2550	2920	3300	3750
120 (48.9)	180	370	580	800	1030	1260	1510	1770	2060	2360	2700

CAPACITY (WATTS)

CONDENSING TEMPERATURE °F/°C	EVAPORATING TEMPERATURE °F/°C										
	-25 -31.7	-15 -26.1	-10 -23.3	-5 -20.6	0 -17.8	5 -15	10 -12.2	15 -9.4	20 -6.7	25 -3.8	30 -1.1
80 (26.7)	880	1460	1780	2130	2510	2930	3400	3900	4420	5010	5650
100 (37.8)	450	970	1250	1540	1860	2200	2560	2960	3400	3840	4370
120 (48.9)	210	430	680	930	1200	1470	1760	2060	2390	2750	3140

POWER (MOTOR WATTS)

CONDENSING TEMPERATURE °F/°C	EVAPORATING TEMPERATURE °F/°C										
	-25 -31.7	-15 -26.1	-10 -23.3	-5 -20.6	0 -17.8	5 -15	10 -12.2	15 -9.4	20 -6.7	25 -3.8	30 -1.1
80 (26.7)	680	837	907	972	1030	1080	1130	1170	1200	1230	1260
100 (37.8)	595	803	896	983	1060	1140	1200	1260	1320	1360	1400
120 (48.9)	386	659	785	903	1010	1120	1210	1300	1380	1450	1520

CS10K6E-PFV

200-1-50 (PFV) Rated Voltage

200-1-50 (PFV) Test Voltage

CAPACITY (BTU/HOUR)

CONDENSING TEMPERATURE °F/°C	EVAPORATING TEMPERATURE °F/°C										
	-25 -31.7	-15 -26.1	-10 -23.3	-5 -20.6	0 -17.8	5 -15	10 -12.2	15 -9.4	20 -6.7	25 -3.8	30 -1.1
80 (26.7)	3010	4970	6070	7270	8580	10000	11600	13300	15100	17100	19300
100 (37.8)	1550	3320	4270	5270	6350	7500	8750	10100	11600	13100	14900
120 (48.9)	700	1480	2320	3180	4080	5010	5990	7040	8160	9370	10700

CAPACITY (KCAL/HOUR)

CONDENSING TEMPERATURE °F/°C	EVAPORATING TEMPERATURE °F/°C										
	-25 -31.7	-15 -26.1	-10 -23.3	-5 -20.6	0 -17.8	5 -15	10 -12.2	15 -9.4	20 -6.7	25 -3.8	30 -1.1
80 (26.7)	760	1250	1530	1830	2160	2520	2920	3350	3810	4310	4860
100 (37.8)	390	840	1080	1330	1600	1890	2210	2550	2920	3300	3750
120 (48.9)	180	370	580	800	1030	1260	1510	1770	2060	2360	2700

CAPACITY (WATTS)

CONDENSING TEMPERATURE °F/°C	EVAPORATING TEMPERATURE °F/°C										
	-25 -31.7	-15 -26.1	-10 -23.3	-5 -20.6	0 -17.8	5 -15	10 -12.2	15 -9.4	20 -6.7	25 -3.8	30 -1.1
80 (26.7)	880	1460	1780	2130	2510	2930	3400	3900	4420	5010	5650
100 (37.8)	450	970	1250	1540	1860	2200	2560	2960	3400	3840	4370
120 (48.9)	210	430	680	930	1200	1470	1760	2060	2390	2750	3140

POWER (MOTOR WATTS)

CONDENSING TEMPERATURE °F/°C	EVAPORATING TEMPERATURE °F/°C										
	-25 -31.7	-15 -26.1	-10 -23.3	-5 -20.6	0 -17.8	5 -15	10 -12.2	15 -9.4	20 -6.7	25 -3.8	30 -1.1
80 (26.7)	680	837	907	972	1030	1080	1130	1170	1200	1230	1260
100 (37.8)	595	803	896	983	1060	1140	1200	1260	1320	1360	1400
120 (48.9)	386	659	785	903	1010	1120	1210	1300	1380	1450	1520

Production compressors to meet above nominal performance values within ± 5%.

50 HERTZ

PERFORMANCE DATA

R404A

40 °F (4.4 °C) Return Gas

0 °F (0 °K) Subcooling

95° F (35° C) Ambient (Air Over)

200/220-3-50 (TF5)
380/420-3-50 (TFD)

Rated Voltage

220-3-50 (TF5)
380-3-50 (TFD)

Test Voltage

CS10K6E-TF5/D

CAPACITY (BTU/HOUR)

CONDENSING TEMPERATURE °F/°C	EVAPORATING TEMPERATURE °F/°C										
	-25 -31.7	-15 -26.1	-10 -23.3	-5 -20.6	0 -17.8	5 -15	10 -12.2	15 -9.4	20 -6.7	25 -3.8	30 -1.1
80 (26.7)	2940	4990	6030	7130	8320	9620	11100	12700	14500	16600	18900
100 (37.8)	1320	3220	4150	5120	6140	7250	8480	9860	11400	13200	15200
120 (48.9)	700	1560	2350	3140	3960	4860	5840	6950	8210	9650	11300

CAPACITY (KCAL/HOUR)

CONDENSING TEMPERATURE °F/°C	EVAPORATING TEMPERATURE °F/°C										
	-25 -31.7	-15 -26.1	-10 -23.3	-5 -20.6	0 -17.8	5 -15	10 -12.2	15 -9.4	20 -6.7	25 -3.8	30 -1.1
80 (26.7)	740	1260	1520	1800	2100	2420	2800	3200	3650	4180	4760
100 (37.8)	330	810	1050	1290	1550	1830	2140	2480	2870	3330	3830
120 (48.9)	180	390	590	790	1000	1220	1470	1750	2070	2430	2850

CAPACITY (WATTS)

CONDENSING TEMPERATURE °F/°C	EVAPORATING TEMPERATURE °F/°C										
	-25 -31.7	-15 -26.1	-10 -23.3	-5 -20.6	0 -17.8	5 -15	10 -12.2	15 -9.4	20 -6.7	25 -3.8	30 -1.1
80 (26.7)	860	1460	1770	2090	2440	2820	3250	3720	4250	4860	5540
100 (37.8)	390	940	1220	1500	1800	2120	2480	2890	3340	3870	4450
120 (48.9)	210	460	690	920	1160	1420	1710	2040	2410	2830	3310

POWER (MOTOR WATTS)

CONDENSING TEMPERATURE °F/°C	EVAPORATING TEMPERATURE °F/°C										
	-25 -31.7	-15 -26.1	-10 -23.3	-5 -20.6	0 -17.8	5 -15	10 -12.2	15 -9.4	20 -6.7	25 -3.8	30 -1.1
80 (26.7)	635	803	872	933	985	1030	1070	1110	1140	1160	1190
100 (37.8)	548	757	849	933	1010	1080	1150	1210	1270	1330	1390
120 (48.9)	404	649	761	866	965	1060	1150	1240	1330	1420	1500

CS12K6E-PFJ

CAPACITY (BTU/HOUR)

220/240-1-50 (PFJ) Rated Voltage

220-1-50 (PFJ) Test Voltage

CONDENSING TEMPERATURE °F/°C	EVAPORATING TEMPERATURE °F/°C										
	-25 -31.7	-15 -26.1	-10 -23.3	-5 -20.6	0 -17.8	5 -15	10 -12.2	15 -9.4	20 -6.7	25 -3.8	30 -1.1
80 (26.7)	3420	5270	6500	7910	9470	11100	12900	14800	16600	18500	20400
100 (37.8)	2370	3670	4630	5750	7020	8410	9890	11400	13000	14600	16200
120 (48.9)	1550	2290	2970	3810	4790	5880	7070	8310	9590	10900	12100

CAPACITY (KCAL/HOUR)

CONDENSING TEMPERATURE °F/°C	EVAPORATING TEMPERATURE °F/°C										
	-25 -31.7	-15 -26.1	-10 -23.3	-5 -20.6	0 -17.8	5 -15	10 -12.2	15 -9.4	20 -6.7	25 -3.8	30 -1.1
80 (26.7)	860	1330	1640	1990	2390	2800	3250	3730	4180	4660	5140
100 (37.8)	600	920	1170	1450	1770	2120	2490	2870	3280	3680	4080
120 (48.9)	390	580	750	960	1210	1480	1780	2090	2420	2750	3050

CAPACITY (WATTS)

CONDENSING TEMPERATURE °F/°C	EVAPORATING TEMPERATURE °F/°C										
	-25 -31.7	-15 -26.1	-10 -23.3	-5 -20.6	0 -17.8	5 -15	10 -12.2	15 -9.4	20 -6.7	25 -3.8	30 -1.1
80 (26.7)	1000	1540	1900	2320	2770	3250	3780	4340	4860	5420	5980
100 (37.8)	690	1080	1360	1680	2060	2460	2900	3340	3810	4280	4750
120 (48.9)	450	670	870	1120	1400	1720	2070	2430	2810	3190	3550

POWER (MOTOR WATTS)

CONDENSING TEMPERATURE °F/°C	EVAPORATING TEMPERATURE °F/°C										
	-25 -31.7	-15 -26.1	-10 -23.3	-5 -20.6	0 -17.8	5 -15	10 -12.2	15 -9.4	20 -6.7	25 -3.8	30 -1.1
80 (26.7)	729	862	944	1030	1110	1190	1260	1310	1340	1350	1330
100 (37.8)	721	860	950	1050	1150	1250	1340	1420	1480	1520	1540
120 (48.9)	629	781	884	997	1120	1240	1360	1470	1570	1650	1710

Production compressors to meet above nominal performance values within ± 5%.

50 HERTZ

PERFORMANCE DATA

R404A

40 °F (4.4 °C) Return Gas

0 °F (0 °K) Subcooling

95° F (35° C) Ambient (Air Over)

200-1-50 (PFV) Rated Voltage

200-1-50 (PFV) Test Voltage

CS12K6E-PFV

CAPACITY (BTU/HOUR)

CONDENSING TEMPERATURE °F/°C	EVAPORATING TEMPERATURE °F/°C										
	-25 -31.7	-15 -26.1	-10 -23.3	-5 -20.6	0 -17.8	5 -15	10 -12.2	15 -9.4	20 -6.7	25 -3.8	30 -1.1
80 (26.7)	3420	5270	6500	7910	9470	11100	12900	14800	16600	18500	20400
100 (37.8)	2370	3670	4630	5750	7020	8410	9890	11400	13000	14600	16200
120 (48.9)	1550	2290	2970	3810	4790	5880	7070	8310	9590	10900	12100

CAPACITY (KCAL/HOUR)

CONDENSING TEMPERATURE °F/°C	EVAPORATING TEMPERATURE °F/°C										
	-25 -31.7	-15 -26.1	-10 -23.3	-5 -20.6	0 -17.8	5 -15	10 -12.2	15 -9.4	20 -6.7	25 -3.8	30 -1.1
80 (26.7)	860	1330	1640	1990	2390	2800	3250	3730	4180	4660	5140
100 (37.8)	600	920	1170	1450	1770	2120	2490	2870	3280	3680	4080
120 (48.9)	390	580	750	960	1210	1480	1780	2090	2420	2750	3050

CAPACITY (WATTS)

CONDENSING TEMPERATURE °F/°C	EVAPORATING TEMPERATURE °F/°C										
	-25 -31.7	-15 -26.1	-10 -23.3	-5 -20.6	0 -17.8	5 -15	10 -12.2	15 -9.4	20 -6.7	25 -3.8	30 -1.1
80 (26.7)	1000	1540	1900	2320	2770	3250	3780	4340	4860	5420	5980
100 (37.8)	690	1080	1360	1680	2060	2460	2900	3340	3810	4280	4750
120 (48.9)	450	670	870	1120	1400	1720	2070	2430	2810	3190	3550

POWER (MOTOR WATTS)

CONDENSING TEMPERATURE °F/°C	EVAPORATING TEMPERATURE °F/°C										
	-25 -31.7	-15 -26.1	-10 -23.3	-5 -20.6	0 -17.8	5 -15	10 -12.2	15 -9.4	20 -6.7	25 -3.8	30 -1.1
80 (26.7)	729	862	944	1030	1110	1190	1260	1310	1340	1350	1330
100 (37.8)	721	860	950	1050	1150	1250	1340	1420	1480	1520	1540
120 (48.9)	629	781	884	997	1120	1240	1360	1470	1570	1650	1710

CS12K6E-TF5

200/220-3-50 (TF5) Rated Voltage

220-3-50 (TF5) Test Voltage

CAPACITY (BTU/HOUR)

CONDENSING TEMPERATURE °F/°C	EVAPORATING TEMPERATURE °F/°C										
	-25 -31.7	-15 -26.1	-10 -23.3	-5 -20.6	0 -17.8	5 -15	10 -12.2	15 -9.4	20 -6.7	25 -3.8	30 -1.1
80 (26.7)	3840	6100	7330	8660	10100	11600	13300	15100	17100	19200	21600
100 (37.8)	2130	4060	5100	6220	7430	8740	10200	11700	13400	15300	17300
120 (48.9)	852	2370	3200	4070	5020	6060	7190	8440	9810	11300	13000

CAPACITY (KCAL/HOUR)

CONDENSING TEMPERATURE °F/°C	EVAPORATING TEMPERATURE °F/°C										
	-25 -31.7	-15 -26.1	-10 -23.3	-5 -20.6	0 -17.8	5 -15	10 -12.2	15 -9.4	20 -6.7	25 -3.8	30 -1.1
80 (26.7)	970	1540	1850	2180	2550	2920	3350	3810	4310	4840	5440
100 (37.8)	540	1020	1290	1570	1870	2200	2570	2950	3380	3860	4360
120 (48.9)	210	600	810	1030	1270	1530	1810	2130	2470	2850	3280

CAPACITY (WATTS)

CONDENSING TEMPERATURE °F/°C	EVAPORATING TEMPERATURE °F/°C										
	-25 -31.7	-15 -26.1	-10 -23.3	-5 -20.6	0 -17.8	5 -15	10 -12.2	15 -9.4	20 -6.7	25 -3.8	30 -1.1
80 (26.7)	1130	1790	2150	2540	2960	3400	3900	4420	5010	5630	6330
100 (37.8)	620	1190	1490	1820	2180	2560	2990	3430	3930	4480	5070
120 (48.9)	250	690	940	1190	1470	1780	2110	2470	2870	3310	3810

POWER (MOTOR WATTS)

CONDENSING TEMPERATURE °F/°C	EVAPORATING TEMPERATURE °F/°C										
	-25 -31.7	-15 -26.1	-10 -23.3	-5 -20.6	0 -17.8	5 -15	10 -12.2	15 -9.4	20 -6.7	25 -3.8	30 -1.1
80 (26.7)	719	909	989	1060	1120	1170	1220	1250	1280	1300	1320
100 (37.8)	632	855	956	1050	1140	1220	1300	1370	1440	1500	1560
120 (48.9)	533	776	891	1000	1110	1220	1320	1430	1530	1630	1730

Production compressors to meet above nominal performance values within ± 5%.

50 HERTZ

PERFORMANCE DATA

R404A

40 °F (4.4 °C) Return Gas

0 °F (0 °K) Subcooling

95° F (35° C) Ambient (Air Over)

220/240-1-50 (PFJ) Rated Voltage

220-1-50 (PFJ) Test Voltage

CS14K6E-PFJ

CAPACITY (BTU/HOUR)

CONDENSING TEMPERATURE °F/°C	EVAPORATING TEMPERATURE °F/°C										
	-25 -31.7	-15 -26.1	-10 -23.3	-5 -20.6	0 -17.8	5 -15	10 -12.2	15 -9.4	20 -6.7	25 -3.8	30 -1.1
80 (26.7)	5010	7270	8650	10200	11900	13700	15600	17700	19900	22200	24700
100 (37.8)	3550	5430	6570	7850	9240	10700	12400	14100	15900	17800	19700
120 (48.9)	2170	3640	4550	5550	6640	7820	9070	10400	11800	13200	14700

CAPACITY (KCAL/HOUR)

CONDENSING TEMPERATURE °F/°C	EVAPORATING TEMPERATURE °F/°C										
	-25 -31.7	-15 -26.1	-10 -23.3	-5 -20.6	0 -17.8	5 -15	10 -12.2	15 -9.4	20 -6.7	25 -3.8	30 -1.1
80 (26.7)	1260	1830	2180	2570	3000	3450	3930	4460	5010	5590	6220
100 (37.8)	890	1370	1660	1980	2330	2700	3120	3550	4010	4490	4960
120 (48.9)	550	920	1150	1400	1670	1970	2290	2620	2970	3330	3700

CAPACITY (WATTS)

CONDENSING TEMPERATURE °F/°C	EVAPORATING TEMPERATURE °F/°C										
	-25 -31.7	-15 -26.1	-10 -23.3	-5 -20.6	0 -17.8	5 -15	10 -12.2	15 -9.4	20 -6.7	25 -3.8	30 -1.1
80 (26.7)	1470	2130	2530	2990	3490	4010	4570	5190	5830	6500	7240
100 (37.8)	1040	1590	1930	2300	2710	3140	3630	4130	4660	5220	5770
120 (48.9)	640	1070	1330	1630	1950	2290	2660	3050	3460	3870	4310

POWER (MOTOR WATTS)

CONDENSING TEMPERATURE °F/°C	EVAPORATING TEMPERATURE °F/°C										
	-25 -31.7	-15 -26.1	-10 -23.3	-5 -20.6	0 -17.8	5 -15	10 -12.2	15 -9.4	20 -6.7	25 -3.8	30 -1.1
80 (26.7)	929	1090	1170	1250	1330	1390	1460	1510	1550	1570	1580
100 (37.8)	895	1090	1200	1300	1400	1500	1590	1680	1750	1820	1870
120 (48.9)	815	1040	1160	1280	1410	1530	1650	1760	1870	1960	2050

CS14K6E-PFV

200-1-50 (PFV) Rated Voltage

200-1-50 (PFV) Test Voltage

CAPACITY (BTU/HOUR)

CONDENSING TEMPERATURE °F/°C	EVAPORATING TEMPERATURE °F/°C										
	-25 -31.7	-15 -26.1	-10 -23.3	-5 -20.6	0 -17.8	5 -15	10 -12.2	15 -9.4	20 -6.7	25 -3.8	30 -1.1
80 (26.7)	5010	7270	8650	10200	11900	13700	15600	17700	19900	22200	24700
100 (37.8)	3550	5430	6570	7850	9240	10700	12400	14100	15900	17800	19700
120 (48.9)	2170	3640	4550	5550	6640	7820	9070	10400	11800	13200	14700

CAPACITY (KCAL/HOUR)

CONDENSING TEMPERATURE °F/°C	EVAPORATING TEMPERATURE °F/°C										
	-25 -31.7	-15 -26.1	-10 -23.3	-5 -20.6	0 -17.8	5 -15	10 -12.2	15 -9.4	20 -6.7	25 -3.8	30 -1.1
80 (26.7)	1260	1830	2180	2570	3000	3450	3930	4460	5010	5590	6220
100 (37.8)	890	1370	1660	1980	2330	2700	3120	3550	4010	4490	4960
120 (48.9)	550	920	1150	1400	1670	1970	2290	2620	2970	3330	3700

CAPACITY (WATTS)

CONDENSING TEMPERATURE °F/°C	EVAPORATING TEMPERATURE °F/°C										
	-25 -31.7	-15 -26.1	-10 -23.3	-5 -20.6	0 -17.8	5 -15	10 -12.2	15 -9.4	20 -6.7	25 -3.8	30 -1.1
8 (26.7)	1470	2130	2530	2990	3490	4010	4570	5190	5830	6500	7240
100 (37.8)	1040	1590	1930	2300	2710	3140	3630	4130	4660	5220	5770
120 (48.9)	640	1070	1330	1630	1950	2290	2660	3050	3460	3870	4310

POWER (MOTOR WATTS)

CONDENSING TEMPERATURE °F/°C	EVAPORATING TEMPERATURE °F/°C										
	-25 -31.7	-15 -26.1	-10 -23.3	-5 -20.6	0 -17.8	5 -15	10 -12.2	15 -9.4	20 -6.7	25 -3.8	30 -1.1
80 (26.7)	929	1090	1170	1250	1330	1390	1460	1510	1550	1570	1580
100 (37.8)	895	1090	1200	1300	1400	1500	1590	1680	1750	1820	1870
120 (48.9)	815	1040	1160	1280	1410	1530	1650	1760	1870	1960	2050

Production compressors to meet above nominal performance values within ± 5%.

50 HERTZ

PERFORMANCE DATA

R404A

40 °F (4.4 °C) Return Gas		0 °F (0 °K) Subcooling			95° F (35° C) Ambient (Air Over)		
200/240-3-50 (TF5) 380/420-3-50 (TFD)		Rated Voltage			220-3-50 (TF5) 380-3-50 (TFD)		Test Voltage

CS14K6E-TF5/D

CAPACITY (BTU/HOUR)

CONDENSING TEMPERATURE °F/°C	EVAPORATING TEMPERATURE °F/°C										
	-25 -31.7	-15 -26.1	-10 -23.3	-5 -20.6	0 -17.8	5 -15	10 -12.2	15 -9.4	20 -6.7	25 -3.8	30 -1.1
80 (26.7)	4910	7120	8470	9970	11600	13400	15300	17400	19500	21800	24200
100 (37.8)	3480	5320	6440	7690	9050	10500	12100	13800	15600	17400	19300
120 (48.9)	2130	3570	4450	5440	6510	7660	8890	10200	11600	13000	14400

CAPACITY (KCAL/HOUR)

CONDENSING TEMPERATURE °F/°C	EVAPORATING TEMPERATURE °F/°C										
	-25 -31.7	-15 -26.1	-10 -23.3	-5 -20.6	0 -17.8	5 -15	10 -12.2	15 -9.4	20 -6.7	25 -3.8	30 -1.1
80 (26.7)	1240	1790	2130	2510	2920	3380	3860	4380	4910	5490	6100
100 (37.8)	880	1340	1620	1940	2280	2650	3050	3480	3930	4380	4860
120 (48.9)	540	900	1120	1370	1640	1930	2240	2570	2920	3280	3630

CAPACITY (WATTS)

CONDENSING TEMPERATURE °F/°C	EVAPORATING TEMPERATURE °F/°C										
	-25 -31.7	-15 -26.1	-10 -23.3	-5 -20.6	0 -17.8	5 -15	10 -12.2	15 -9.4	20 -6.7	25 -3.8	30 -1.1
80 (26.7)	1440	2090	2480	2920	3400	3930	4480	5100	5710	6390	7090
100 (37.8)	1020	1560	1890	2250	2650	3080	3550	4040	4570	5100	5650
120 (48.9)	620	1050	1300	1590	1910	2240	2600	2990	3400	3810	4220

POWER (MOTOR WATTS)

CONDENSING TEMPERATURE °F/°C	EVAPORATING TEMPERATURE °F/°C										
	-25 -31.7	-15 -26.1	-10 -23.3	-5 -20.6	0 -17.8	5 -15	10 -12.2	15 -9.4	20 -6.7	25 -3.8	30 -1.1
80 (26.7)	901	1060	1140	1210	1290	1350	1410	1460	1500	1520	1530
100 (37.8)	868	1060	1160	1260	1360	1460	1550	1630	1700	1760	1810
120 (48.9)	791	1010	1130	1240	1360	1480	1600	1710	1810	1910	1990

CS18K6E-PFJ

220/240-1-50 (PFJ) Rated Voltage	220-1-50 (PFJ) Test Voltage
----------------------------------	-----------------------------

CAPACITY (BTU/HOUR)

CONDENSING TEMPERATURE °F/°C	EVAPORATING TEMPERATURE °F/°C										
	-25 -31.7	-15 -26.1	-10 -23.3	-5 -20.6	0 -17.8	5 -15	10 -12.2	15 -9.4	20 -6.7	25 -3.8	30 -1.1
80 (26.7)	5850	9060	11000	13000	15300	17700	20300	22900	25800	28700	31700
100 (37.8)	3990	6400	7910	9600	11500	13500	15600	18000	20400	22900	25600
120 (48.9)	2770	4230	5270	6490	7880	9440	11200	13000	15000	17100	19300

CAPACITY (KCAL/HOUR)

CONDENSING TEMPERATURE °F/°C	EVAPORATING TEMPERATURE °F/°C										
	-25 -31.7	-15 -26.1	-10 -23.3	-5 -20.6	0 -17.8	5 -15	10 -12.2	15 -9.4	20 -6.7	25 -3.8	30 -1.1
80 (26.7)	1470	2280	2770	3280	3860	4460	5120	5770	6500	7230	7990
100 (37.8)	1010	1610	1990	2420	2900	3400	3930	4540	5140	5770	6450
120 (48.9)	700	1070	1330	1640	1990	2380	2820	3280	3780	4310	4860

CAPACITY (WATTS)

CONDENSING TEMPERATURE °F/°C	EVAPORATING TEMPERATURE °F/°C										
	-25 -31.7	-15 -26.1	-10 -23.3	-5 -20.6	0 -17.8	5 -15	10 -12.2	15 -9.4	20 -6.7	25 -3.8	30 -1.1
80 (26.7)	1710	2650	3220	3810	4480	5190	5950	6710	7560	8410	9290
100 (37.8)	1170	1880	2320	2810	3370	3960	4570	5270	5980	6710	7500
120 (48.9)	810	1240	1540	1900	2310	2770	3280	3810	4400	5010	5650

POWER (MOTOR WATTS)

CONDENSING TEMPERATURE °F/°C	EVAPORATING TEMPERATURE °F/°C										
	-25 -31.7	-15 -26.1	-10 -23.3	-5 -20.6	0 -17.8	5 -15	10 -12.2	15 -9.4	20 -6.7	25 -3.8	30 -1.1
80 (26.7)	1140	1360	1470	1570	1670	1760	1830	1890	1930	1950	1940
100 (37.8)	1100	1350	1480	1610	1740	1870	1990	2100	2190	2270	2330
120 (48.9)	993	1260	1410	1570	1730	1890	2040	2200	2340	2480	2600

Production compressors to meet above nominal performance values within ± 5%.

50 HERTZ

PERFORMANCE DATA

R404A

40 °F (4.4 °C) Return Gas

0 °F (0 °K) Subcooling

95° F (35° C) Ambient (Air Over)

200-1-50 (PFV) Rated Voltage

200-1-50 (PFV) Test Voltage

CS18K6E-PFV

CAPACITY (BTU/HOUR)

CONDENSING TEMPERATURE °F/°C	EVAPORATING TEMPERATURE °F/°C										
	-25 -31.7	-15 -26.1	-10 -23.3	-5 -20.6	0 -17.8	5 -15	10 -12.2	15 -9.4	20 -6.7	25 -3.8	30 -1.1
80 (26.7)	5850	9060	11000	13000	15300	17700	20300	22900	25800	28700	31700
100 (37.8)	3990	6400	7910	9600	11500	13500	15600	18000	20400	22900	25600
120 (48.9)	2770	4230	5270	6490	7880	9440	11200	13000	15000	17100	19300

CAPACITY (KCAL/HOUR)

CONDENSING TEMPERATURE °F/°C	EVAPORATING TEMPERATURE °F/°C										
	-25 -31.7	-15 -26.1	-10 -23.3	-5 -20.6	0 -17.8	5 -15	10 -12.2	15 -9.4	20 -6.7	25 -3.8	30 -1.1
80 (26.7)	1470	2280	2770	3280	3860	4460	5120	5770	6500	7230	7990
100 (37.8)	1010	1610	1990	2420	2900	3400	3930	4540	5140	5770	6450
120 (48.9)	700	1070	1330	1640	1990	2380	2820	3280	3780	4310	4860

CAPACITY (WATTS)

CONDENSING TEMPERATURE °F/°C	EVAPORATING TEMPERATURE °F/°C										
	-25 -31.7	-15 -26.1	-10 -23.3	-5 -20.6	0 -17.8	5 -15	10 -12.2	15 -9.4	20 -6.7	25 -3.8	30 -1.1
80 (26.7)	1710	2650	3220	3810	4480	5190	5950	6710	7560	8410	9290
100 (37.8)	1170	1880	2320	2810	3370	3960	4570	5270	5980	6710	7500
120 (48.9)	810	1240	1540	1900	2310	2770	3280	3810	4400	5010	5650

POWER (MOTOR WATTS)

CONDENSING TEMPERATURE °F/°C	EVAPORATING TEMPERATURE °F/°C										
	-25 -31.7	-15 -26.1	-10 -23.3	-5 -20.6	0 -17.8	5 -15	10 -12.2	15 -9.4	20 -6.7	25 -3.8	30 -1.1
80 (26.7)	1140	1360	1470	1570	1670	1760	1830	1890	1930	1950	1940
100 (37.8)	1100	1350	1480	1610	1740	1870	1990	2100	2190	2270	2330
120 (48.9)	993	1260	1410	1570	1730	1890	2040	2200	2340	2480	2600

CS18K6E-TF5/D

200/220-3-50 (TF5) 380/420-3-50 (TFD)	Rated Voltage	220-3-50 (TF5) 380-3-50 (TFD)	Test Voltage
--	---------------	----------------------------------	--------------

CAPACITY (BTU/HOUR)

CONDENSING TEMPERATURE °F/°C	EVAPORATING TEMPERATURE °F/°C										
	-25 -31.7	-15 -26.1	-10 -23.3	-5 -20.6	0 -17.8	5 -15	10 -12.2	15 -9.4	20 -6.7	25 -3.8	30 -1.1
80 (26.7)	5960	8870	10700	12800	15000	17500	20100	22800	25600	28500	31400
100 (37.8)	4180	6390	7870	9570	11400	13500	15700	18000	20400	22800	25300
120 (48.9)	2750	4120	5160	6410	7840	9410	11100	12900	14800	16700	18700

CAPACITY (KCAL/HOUR)

CONDENSING TEMPERATURE °F/°C	EVAPORATING TEMPERATURE °F/°C										
	-25 -31.7	-15 -26.1	-10 -23.3	-5 -20.6	0 -17.8	5 -15	10 -12.2	15 -9.4	20 -6.7	25 -3.8	30 -1.1
80 (26.7)	1500	2240	2700	3230	3780	4410	5070	5750	6450	7180	7910
100 (37.8)	1050	1610	1980	2410	2870	3400	3960	4540	5140	5750	6380
120 (48.9)	690	1040	1300	1620	1980	2370	2800	3250	3730	4210	4710

CAPACITY (WATTS)

CONDENSING TEMPERATURE °F/°C	EVAPORATING TEMPERATURE °F/°C										
	-25 -31.7	-15 -26.1	-10 -23.3	-5 -20.6	0 -17.8	5 -15	10 -12.2	15 -9.4	20 -6.7	25 -3.8	30 -1.1
80 (26.7)	1750	2600	3140	3750	4400	5130	5890	6680	7500	8350	9200
100 (37.8)	1220	1870	2310	2800	3340	3960	4600	5270	5980	6680	7410
120 (48.9)	810	1210	1510	1880	2300	2760	3250	3780	4340	4890	5480

POWER (MOTOR WATTS)

CONDENSING TEMPERATURE °F/°C	EVAPORATING TEMPERATURE °F/°C										
	-25 -31.7	-15 -26.1	-10 -23.3	-5 -20.6	0 -17.8	5 -15	10 -12.2	15 -9.4	20 -6.7	25 -3.8	30 -1.1
80 (26.7)	1060	1260	1370	1480	1580	1670	1750	1810	1840	1850	1830
100 (37.8)	1030	1260	1390	1520	1660	1780	1900	2000	2090	2150	2190
120 (48.9)	939	1180	1320	1480	1630	1790	1940	2080	2210	2320	2410

Production compressors to meet above nominal performance values within ± 5%.

50 HERTZ

PERFORMANCE DATA

R404A

40 °F (4.4 °C) Return Gas

0 °F (0 °K) Subcooling

95° F (35° C) Ambient (Air Over)

200-1-50 (PFV) Rated Voltage

200-1-50 (PFV) Test Voltage

CS20K6E-PFV

CAPACITY (BTU/HOUR)

CONDENSING TEMPERATURE °F/°C	EVAPORATING TEMPERATURE °F/°C										
	-25 -31.7	-15 -26.1	-10 -23.3	-5 -20.6	0 -17.8	5 -15	10 -12.2	15 -9.4	20 -6.7	25 -3.8	30 -1.1
80 (26.7)	7270	11000	13000	15200	17600	20200	23200	26700	30500	34800	39700
100 (37.8)	4590	7790	9410	11200	13100	15200	17700	20300	23400	26900	30800
120 (48.9)	1640	4500	5870	7290	8750	10420	12250	14300	16700	19400	22600

CAPACITY (KCAL/HOUR)

CONDENSING TEMPERATURE °F/°C	EVAPORATING TEMPERATURE °F/°C										
	-25 -31.7	-15 -26.1	-10 -23.3	-5 -20.6	0 -17.8	5 -15	10 -12.2	15 -9.4	20 -6.7	25 -3.8	30 -1.1
80 (26.7)	1830	2770	3280	3830	4440	5090	5850	6730	7690	8770	10000
100 (37.8)	1160	1960	2370	2820	3300	3830	4460	5120	5900	6780	7760
120 (48.9)	410	1130	1480	1840	2210	2630	3090	3600	4210	4890	5700

CAPACITY (WATTS)

CONDENSING TEMPERATURE °F/°C	EVAPORATING TEMPERATURE °F/°C										
	-25 -31.7	-15 -26.1	-10 -23.3	-5 -20.6	0 -17.8	5 -15	10 -12.2	15 -9.4	20 -6.7	25 -3.8	30 -1.1
80 (26.7)	2130	3220	3810	4450	5160	5920	6800	7820	8940	10200	11630
100 (37.8)	1340	2280	2760	3280	3840	4450	5190	5950	6860	7880	9020
120 (48.9)	480	1320	1720	2140	2560	3050	3590	4190	4890	5680	6620

POWER (MOTOR WATTS)

CONDENSING TEMPERATURE °F/°C	EVAPORATING TEMPERATURE °F/°C										
	-25 -31.7	-15 -26.1	-10 -23.3	-5 -20.6	0 -17.8	5 -15	10 -12.2	15 -9.4	20 -6.7	25 -3.8	30 -1.1
80 (26.7)	1290	1570	1680	1790	1890	1990	2090	2190	2300	2400	2560
100 (37.8)	1200	1540	1690	1830	1970	2100	2220	2360	2490	2640	2800
120 (48.9)	910	1350	1540	1730	1910	2080	2250	2420	2600	2780	2980

CS20K6E-PFZ

220/240-1-50 (PFZ) Rated Voltage

220-1-50 (PFZ) Test Voltage

CAPACITY (BTU/HOUR)

CONDENSING TEMPERATURE °F/°C	EVAPORATING TEMPERATURE °F/°C										
	-25 -31.7	-15 -26.1	-10 -23.3	-5 -20.6	0 -17.8	5 -15	10 -12.2	15 -9.4	20 -6.7	25 -3.8	30 -1.1
80 (26.7)	6750	10100	12200	14500	17100	19900	23000	26400	30100	34000	38300
100 (37.8)	4150	6990	8700	10600	12700	15000	17500	20300	23200	26400	29900
120 (48.9)	1710	4050	5410	6910	8550	10300	12300	14400	16700	19200	21800

CAPACITY (KCAL/HOUR)

CONDENSING TEMPERATURE °F/°C	EVAPORATING TEMPERATURE °F/°C										
	-25 -31.7	-15 -26.1	-10 -23.3	-5 -20.6	0 -17.8	5 -15	10 -12.2	15 -9.4	20 -6.7	25 -3.8	30 -1.1
80 (26.7)	1700	2550	3070	3650	4310	5010	5800	6650	7590	8570	9650
100 (37.8)	1050	1760	2190	2670	3200	3780	4410	5120	5850	6650	7530
120 (48.9)	430	1020	1360	1740	2150	2600	3100	3630	4210	4840	5490

CAPACITY (WATTS)

CONDENSING TEMPERATURE °F/°C	EVAPORATING TEMPERATURE °F/°C										
	-25 -31.7	-15 -26.1	-10 -23.3	-5 -20.6	0 -17.8	5 -15	10 -12.2	15 -9.4	20 -6.7	25 -3.8	30 -1.1
80 (26.7)	1980	2960	3570	4250	5010	5830	6740	7740	8820	9960	11220
100 (37.8)	1220	2050	2550	3110	3720	4400	5130	5950	6800	7740	8760
120 (48.9)	500	1190	1590	2020	2510	3020	3600	4220	4890	5630	6390

POWER (MOTOR WATTS)

CONDENSING TEMPERATURE °F/°C	EVAPORATING TEMPERATURE °F/°C										
	-25 -31.7	-15 -26.1	-10 -23.3	-5 -20.6	0 -17.8	5 -15	10 -12.2	15 -9.4	20 -6.7	25 -3.8	30 -1.1
80 (26.7)	1210	1460	1590	1720	1840	1950	2040	2120	2190	2230	2250
100 (37.8)	1120	1430	1590	1760	1920	2070	2220	2360	2480	2580	2670
120 (48.9)	908	1270	1470	1670	1870	2070	2270	2460	2640	2800	2960

Production compressors to meet above nominal performance values within ± 5%.

50 HERTZ

PERFORMANCE DATA

R404A

40 °F (4.4 °C) Return Gas		0 °F (0 °K) Subcooling			95° F (35° C) Ambient (Air Over)		
200/220-3-50 (TF5) 380/420-3-50 (TFD)		Rated Voltage			220-3-50 (TF5) 380-3-50 (TFD) Test Voltage		

CS20K6E-TF5/D

CAPACITY (BTU/HOUR)

CONDENSING TEMPERATURE °F/°C	EVAPORATING TEMPERATURE °F/°C										
	-25 -31.7	-15 -26.1	-10 -23.3	-5 -20.6	0 -17.8	5 -15	10 -12.2	15 -9.4	20 -6.7	25 -3.8	30 -1.1
80 (26.7)	7140	10800	12700	14900	17300	19900	22900	26200	30000	34200	39000
100 (37.8)	4510	7650	9270	11000	12900	15000	17300	20000	23000	26400	30300
120 (48.9)	1610	4420	5770	7160	8630	10200	12000	14100	16400	19100	22100

CAPACITY (KCAL/HOUR)

CONDENSING TEMPERATURE °F/°C	EVAPORATING TEMPERATURE °F/°C										
	-25 -31.7	-15 -26.1	-10 -23.3	-5 -20.6	0 -17.8	5 -15	10 -12.2	15 -9.4	20 -6.7	25 -3.8	30 -1.1
80 (26.7)	1800	2720	3200	3750	4360	5010	5770	6600	7560	8620	9830
100 (37.8)	1140	1930	2340	2770	3250	3780	4360	5040	5800	6650	7640
120 (48.9)	410	1110	1450	1800	2170	2570	3020	3550	4130	4810	5570

CAPACITY (WATTS)

CONDENSING TEMPERATURE °F/°C	EVAPORATING TEMPERATURE °F/°C										
	-25 -31.7	-15 -26.1	-10 -23.3	-5 -20.6	0 -17.8	5 -15	10 -12.2	15 -9.4	20 -6.7	25 -3.8	30 -1.1
80 (26.7)	2090	3160	3720	4370	5070	5830	6710	7680	8790	10020	11430
100 (37.8)	1320	2240	2720	3220	3780	4400	5070	5860	6740	7740	8880
120 (48.9)	470	1300	1690	2100	2530	2990	3520	4130	4810	5600	6480

POWER (MOTOR WATTS)

CONDENSING TEMPERATURE °F/°C	EVAPORATING TEMPERATURE °F/°C										
	-25 -31.7	-15 -26.1	-10 -23.3	-5 -20.6	0 -17.8	5 -15	10 -12.2	15 -9.4	20 -6.7	25 -3.8	30 -1.1
80 (26.7)	1230	1490	1600	1710	1800	1900	1990	2090	2200	2310	2440
100 (37.8)	1150	1470	1620	1750	1880	2000	2120	2250	2380	2520	2670
120 (48.9)	867	1290	1470	1650	1820	1980	2150	2310	2480	2660	2850

CS24K6E-PFV

200-1-50 (PFV) Rated Voltage

200-1-50 (PFV) Test Voltage

CAPACITY (BTU/HOUR)

CONDENSING TEMPERATURE °F/°C	EVAPORATING TEMPERATURE °F/°C										
	-25 -31.7	-15 -26.1	-10 -23.3	-5 -20.6	0 -17.8	5 -15	10 -12.2	15 -9.4	20 -6.7	25 -3.8	30 -1.1
80 (26.7)	8020	11900	14200	16700	19500	22500	25900	29700	33800	38400	43300
100 (37.8)	5470	8630	10400	12400	14700	17200	19900	23000	26400	30100	34300
120 (48.9)	3380	5730	7070	8560	10200	12100	14200	16600	19200	22200	25500

CAPACITY (KCAL/HOUR)

CONDENSING TEMPERATURE °F/°C	EVAPORATING TEMPERATURE °F/°C										
	-25 -31.7	-15 -26.1	-10 -23.3	-5 -20.6	0 -17.8	5 -15	10 -12.2	15 -9.4	20 -6.7	25 -3.8	30 -1.1
80 (26.7)	2020	3000	3580	4210	4910	5670	6530	7480	8520	9680	10910
100 (37.8)	1380	2170	2620	3120	3700	4330	5010	5800	6650	7590	8640
120 (48.9)	850	1440	1780	2160	2570	3050	3580	4180	4840	5590	6430

CAPACITY (WATTS)

CONDENSING TEMPERATURE °F/°C	EVAPORATING TEMPERATURE °F/°C										
	-25 -31.7	-15 -26.1	-10 -23.3	-5 -20.6	0 -17.8	5 -15	10 -12.2	15 -9.4	20 -6.7	25 -3.8	30 -1.1
80 (26.7)	2350	3490	4160	4890	5710	6590	7590	8700	9900	11250	12690
100 (37.8)	1600	2530	3050	3630	4310	5040	5830	6740	7740	8820	10050
120 (48.9)	990	1680	2070	2510	2990	3550	4160	4860	5630	6500	7470

POWER (MOTOR WATTS)

CONDENSING TEMPERATURE °F/°C	EVAPORATING TEMPERATURE °F/°C										
	-25 -31.7	-15 -26.1	-10 -23.3	-5 -20.6	0 -17.8	5 -15	10 -12.2	15 -9.4	20 -6.7	25 -3.8	30 -1.1
80 (26.7)	1560	1830	1970	2110	2240	2360	2470	2560	2640	2690	2730
100 (37.8)	1500	1820	1990	2160	2330	2490	2650	2800	2940	3060	3170
120 (48.9)	1390	1740	1920	2120	2320	2520	2720	2920	3100	3280	3450

Production compressors to meet above nominal performance values within ± 5%.

50 HERTZ

PERFORMANCE DATA

R404A

40 °F (4.4 °C) Return Gas

0 °F (0 °K) Subcooling

95° F (35° C) Ambient (Air Over)

200/240-1-50 (PFZ) Rated Voltage

220-1-50 (PFZ) Test Voltage

CS24K6E-PFZ

CAPACITY (BTU/HOUR)

CONDENSING TEMPERATURE °F/°C	EVAPORATING TEMPERATURE °F/°C										
	-25 -31.7	-15 -26.1	-10 -23.3	-5 -20.6	0 -17.8	5 -15	10 -12.2	15 -9.4	20 -6.7	25 -3.8	30 -1.1
80 (26.7)	7640	11600	13900	16500	19400	22600	26000	29700	33800	38100	42700
100 (37.8)	5250	8310	10200	12300	14600	17200	20000	23100	26400	30000	33800
120 (48.9)	3500	5600	6930	8460	10200	12100	14300	16600	19200	22000	25000

CAPACITY (KCAL/HOUR)

CONDENSING TEMPERATURE °F/°C	EVAPORATING TEMPERATURE °F/°C										
	-25 -31.7	-15 -26.1	-10 -23.3	-5 -20.6	0 -17.8	5 -15	10 -12.2	15 -9.4	20 -6.7	25 -3.8	30 -1.1
80 (26.7)	1930	2920	3500	4160	4890	5700	6550	7480	8520	9600	10760
100 (37.8)	1320	2090	2570	3100	3680	4330	5040	5820	6650	7560	8520
120 (48.9)	880	1410	1750	2130	2570	3050	3600	4180	4840	5540	6300

CAPACITY (WATTS)

CONDENSING TEMPERATURE °F/°C	EVAPORATING TEMPERATURE °F/°C										
	-25 -31.7	-15 -26.1	-10 -23.3	-5 -20.6	0 -17.8	5 -15	10 -12.2	15 -9.4	20 -6.7	25 -3.8	30 -1.1
80 (26.7)	2240	3400	4070	4830	5680	6620	7620	8700	9900	11160	12510
100 (37.8)	1540	2430	2990	3600	4280	5040	5860	6770	7740	8790	9900
120 (48.9)	1030	1640	2030	2480	2990	3550	4190	4860	5630	6450	7330

POWER (MOTOR WATTS)

CONDENSING TEMPERATURE °F/°C	EVAPORATING TEMPERATURE °F/°C										
	-25 -31.7	-15 -26.1	-10 -23.3	-5 -20.6	0 -17.8	5 -15	10 -12.2	15 -9.4	20 -6.7	25 -3.8	30 -1.1
80 (26.7)	1550	1830	1970	2110	2240	2370	2480	2580	2670	2740	2790
100 (37.8)	1510	1830	1990	2160	2320	2490	2650	2800	2940	3080	3200
120 (48.9)	1440	1770	1940	2130	2320	2510	2700	2890	3080	3270	3440

CS27K6E-PFV

200-1-50 (PFV) Rated Voltage

200-1-50 (PFV) Test Voltage

CAPACITY (BTU/HOUR)

CONDENSING TEMPERATURE °F/°C	EVAPORATING TEMPERATURE °F/°C										
	-25 -31.7	-15 -26.1	-10 -23.3	-5 -20.6	0 -17.8	5 -15	10 -12.2	15 -9.4	20 -6.7	25 -3.8	30 -1.1
80 (26.7)	8580	13100	15800	18900	22300	26100	30200	34700	39600	45000	50400
100 (37.8)	6800	10100	12200	14600	17200	20200	23500	27100	31000	35200	39800
120 (48.9)	5060	7290	8750	10500	12400	14700	17200	19900	23000	26300	29900

CAPACITY (KCAL/HOUR)

CONDENSING TEMPERATURE °F/°C	EVAPORATING TEMPERATURE °F/°C										
	-25 -31.7	-15 -26.1	-10 -23.3	-5 -20.6	0 -17.8	5 -15	10 -12.2	15 -9.4	20 -6.7	25 -3.8	30 -1.1
80 (26.7)	2160	3300	3980	4760	5620	6580	7610	8740	9980	11340	12700
100 (37.8)	1710	2550	3070	3680	4330	5090	5920	6830	7810	8870	10030
120 (48.9)	1280	1840	2210	2650	3120	3700	4330	5010	5800	6630	7530

CAPACITY (WATTS)

CONDENSING TEMPERATURE °F/°C	EVAPORATING TEMPERATURE °F/°C										
	-25 -31.7	-15 -26.1	-10 -23.3	-5 -20.6	0 -17.8	5 -15	10 -12.2	15 -9.4	20 -6.7	25 -3.8	30 -1.1
80 (26.7)	2510	3840	4630	5540	6530	7650	8850	10170	11600	13190	14770
100 (37.8)	1990	2960	3570	4280	5040	5920	6890	7940	9080	10310	11660
120 (48.9)	1480	2140	2560	3080	3630	4310	5040	5830	6740	7710	8760

POWER (MOTOR WATTS)

CONDENSING TEMPERATURE °F/°C	EVAPORATING TEMPERATURE °F/°C										
	-25 -31.7	-15 -26.1	-10 -23.3	-5 -20.6	0 -17.8	5 -15	10 -12.2	15 -9.4	20 -6.7	25 -3.8	30 -1.1
80 (26.7)	1610	1960	2140	2320	2500	2670	2820	2960	3070	3170	3240
100 (37.8)	1700	2050	2240	2440	2640	2840	3030	3220	3380	3540	3670
120 (48.9)	1670	2020	2230	2450	2680	2920	3150	3380	3610	3820	4030

Production compressors to meet above nominal performance values within ± 5%.

50 HERTZ

PERFORMANCE DATA

R404A

40 °F (4.4 °C) Return Gas

0 °F (0 °K) Subcooling

95° F (35° C) Ambient (Air Over)

220/240-1-50 (PFZ) Rated Voltage

220-1-50 (PFZ) Test Voltage

CS27K6E-PFZ

CAPACITY (BTU/HOUR)

CONDENSING TEMPERATURE °F/°C	EVAPORATING TEMPERATURE °F/°C										
	-25 -31.7	-15 -26.1	-10 -23.3	-5 -20.6	0 -17.8	5 -15	10 -12.2	15 -9.4	20 -6.7	25 -3.8	30 -1.1
80 (26.7)	9390	14000	16600	19500	22700	26300	30200	34600	39500	44900	51000
100 (37.8)	6560	10300	12400	14700	17400	20300	23500	27100	31200	35700	40700
120 (48.9)	4290	7070	8630	10400	12300	14500	17000	19800	23000	26600	30600

CAPACITY (KCAL/HOUR)

CONDENSING TEMPERATURE °F/°C	EVAPORATING TEMPERATURE °F/°C										
	-25 -31.7	-15 -26.1	-10 -23.3	-5 -20.6	0 -17.8	5 -15	10 -12.2	15 -9.4	20 -6.7	25 -3.8	30 -1.1
80 (26.7)	2370	3530	4180	4910	5720	6630	7610	8720	9950	11310	12850
100 (37.8)	1650	2600	3120	3700	4380	5120	5920	6830	7860	9000	10260
120 (48.9)	1080	1780	2170	2620	3100	3650	4280	4990	5800	6700	7710

CAPACITY (WATTS)

CONDENSING TEMPERATURE °F/°C	EVAPORATING TEMPERATURE °F/°C										
	-25 -31.7	-15 -26.1	-10 -23.3	-5 -20.6	0 -17.8	5 -15	10 -12.2	15 -9.4	20 -6.7	25 -3.8	30 -1.1
80 (26.7)	2750	4100	4860	5710	6650	7710	8850	10140	11570	13160	14940
100 (37.8)	1920	3020	3630	4310	5100	5950	6890	7940	9140	10460	11930
120 (48.9)	1260	2070	2530	3050	3600	4250	4980	5800	6740	7790	8970

POWER (MOTOR WATTS)

CONDENSING TEMPERATURE °F/°C	EVAPORATING TEMPERATURE °F/°C										
	-25 -31.7	-15 -26.1	-10 -23.3	-5 -20.6	0 -17.8	5 -15	10 -12.2	15 -9.4	20 -6.7	25 -3.8	30 -1.1
80 (26.7)	1760	2090	2250	2400	2540	2670	2780	2890	2980	3050	3110
100 (37.8)	1720	2110	2300	2480	2670	2850	3030	3200	3360	3520	3660
120 (48.9)	1620	2030	2250	2470	2690	2910	3140	3370	3590	3820	4050

CS27K6E-TF5/D

200/220-3-50 (TF5) 380/420-3-50 (TFD)	Rated Voltage	220-3-50 (TF5) 380-3-50 (TFD)	Test Voltage
--	---------------	----------------------------------	--------------

CAPACITY (BTU/HOUR)

CONDENSING TEMPERATURE °F/°C	EVAPORATING TEMPERATURE °F/°C										
	-25 -31.7	-15 -26.1	-10 -23.3	-5 -20.6	0 -17.8	5 -15	10 -12.2	15 -9.4	20 -6.7	25 -3.8	30 -1.1
80 (26.7)	8750	13300	16000	18800	22100	25500	29300	33400	37900	42900	47900
100 (37.8)	6760	10300	12400	14700	17200	20000	23100	26400	30100	34100	38500
120 (48.9)	4800	7350	8830	10600	12400	14500	16900	19500	22300	25500	29000

CAPACITY (KCAL/HOUR)

CONDENSING TEMPERATURE °F/°C	EVAPORATING TEMPERATURE °F/°C										
	-25 -31.7	-15 -26.1	-10 -23.3	-5 -20.6	0 -17.8	5 -15	10 -12.2	15 -9.4	20 -6.7	25 -3.8	30 -1.1
80 (26.7)	2210	3350	4030	4740	5570	6430	7380	8420	9550	10810	12070
100 (37.8)	1700	2600	3120	3700	4330	5040	5820	6650	7590	8590	9700
120 (48.9)	1210	1850	2230	2670	3120	3650	4260	4910	5620	6430	7310

CAPACITY (WATTS)

CONDENSING TEMPERATURE °F/°C	EVAPORATING TEMPERATURE °F/°C										
	-25 -31.7	-15 -26.1	-10 -23.3	-5 -20.6	0 -17.8	5 -15	10 -12.2	15 -9.4	20 -6.7	25 -3.8	30 -1.1
80 (26.7)	2560	3900	4690	5510	6480	7470	8580	9790	11100	12570	14030
100 (37.8)	1980	3020	3630	4310	5040	5860	6770	7740	8820	9990	11280
120 (48.9)	1410	2150	2590	3110	3630	4250	4950	5710	6530	7470	8500

POWER (MOTOR WATTS)

CONDENSING TEMPERATURE °F/°C	EVAPORATING TEMPERATURE °F/°C										
	-25 -31.7	-15 -26.1	-10 -23.3	-5 -20.6	0 -17.8	5 -15	10 -12.2	15 -9.4	20 -6.7	25 -3.8	30 -1.1
80 (26.7)	1570	1960	2140	2310	2470	2620	2770	2900	3020	3120	3220
100 (37.8)	1610	2030	2240	2440	2640	2830	3020	3190	3360	3520	3670
120 (48.9)	1500	1970	2210	2450	2680	2920	3140	3370	3590	3810	4020

Production compressors to meet above nominal performance values within ± 5%.

50 HERTZ

PERFORMANCE DATA

R404A

40 °F (4.4 °C) Return Gas

0 °F (0 °K) Subcooling

95° F (35° C) Ambient (Air Over)

200-1-50 (PFV) Rated Voltage

200-1-50 (PFV) Test Voltage

CS33K6E-PFV

CAPACITY (BTU/HOUR)

CONDENSING TEMPERATURE °F/°C	EVAPORATING TEMPERATURE °F/°C										
	-25 -31.7	-15 -26.1	-10 -23.3	-5 -20.6	0 -17.8	5 -15	10 -12.2	15 -9.4	20 -6.7	25 -3.8	30 -1.1
80 (26.7)	11400	15800	18700	21900	25600	29600	34000	38700	43700	49100	55000
100 (37.8)	8830	12400	14700	17400	20400	23700	27200	31000	35000	39300	43700
120 (48.9)	5930	8830	10700	12700	15100	17700	20400	23300	26400	29700	33100

CAPACITY (KCAL/HOUR)

°F/°C	EVAPORATING TEMPERATURE °F/°C										
	-25 -31.7	-15 -26.1	-10 -23.3	-5 -20.6	0 -17.8	5 -15	10 -12.2	15 -9.4	20 -6.7	25 -3.8	30 -1.1
80 (26.7)	2870	3980	4710	5520	6450	7460	8570	9750	11010	12370	13860
100 (37.8)	2230	3120	3700	4380	5140	5970	6850	7810	8820	9900	11010
120 (48.9)	1490	2230	2700	3200	3810	4460	5140	5870	6650	7480	8340

CAPACITY (WATTS)

°F/°C	EVAPORATING TEMPERATURE °F/°C										
	-25 -31.7	-15 -26.1	-10 -23.3	-5 -20.6	0 -17.8	5 -15	10 -12.2	15 -9.4	20 -6.7	25 -3.8	30 -1.1
80 (26.7)	3340	4630	5480	6420	7500	8670	9960	11340	12800	14390	16120
100 (37.8)	2590	3630	4310	5100	5980	6940	7970	9080	10260	11510	12800
120 (48.9)	1740	2590	3140	3720	4420	5190	5980	6830	7740	8700	9700

POWER (MOTOR WATTS)

°F/°C	EVAPORATING TEMPERATURE °F/°C										
	-25 -31.7	-15 -26.1	-10 -23.3	-5 -20.6	0 -17.8	5 -15	10 -12.2	15 -9.4	20 -6.7	25 -3.8	30 -1.1
80 (26.7)	2030	2370	2550	2740	2920	3110	3270	3430	3560	3660	3730
100 (37.8)	2070	2460	2670	2900	3120	3360	3570	3770	3970	4120	4250
120 (48.9)	1970	2420	2670	2920	3200	3470	3740	4000	4250	4460	4660

CS33K6E-TF5/D

200/220-3-50 (TF5) 380/420-3-50 (TFD)	Rated Voltage	220-3-50 (TF5) 380-3-50 (TFD)	Test Voltage
--	---------------	----------------------------------	--------------

CAPACITY (BTU/HOUR)

CONDENSING TEMPERATURE °F/°C	EVAPORATING TEMPERATURE °F/°C										
	-25 -31.7	-15 -26.1	-10 -23.3	-5 -20.6	0 -17.8	5 -15	10 -12.2	15 -9.4	20 -6.7	25 -3.8	30 -1.1
80 (26.7)	10700	15000	18000	21400	25200	29200	33500	38000	42500	47100	51200
100 (37.8)	8410	11500	13700	16500	19600	23000	26600	30200	34100	37800	41500
120 (48.9)	6920	8500	10100	12000	14300	17000	19800	22700	25700	28700	31500

CAPACITY (KCAL/HOUR)

°F/°C	EVAPORATING TEMPERATURE °F/°C										
	-25 -31.7	-15 -26.1	-10 -23.3	-5 -20.6	0 -17.8	5 -15	10 -12.2	15 -9.4	20 -6.7	25 -3.8	30 -1.1
80 (26.7)	2700	3780	4540	5390	6350	7360	8440	9580	10710	11870	12900
100 (37.8)	2120	2900	3450	4160	4940	5800	6700	7610	8590	9530	10460
120 (48.9)	1740	2140	2550	3020	3600	4280	4990	5720	6480	7230	7940

CAPACITY (WATTS)

°F/°C	EVAPORATING TEMPERATURE °F/°C										
	-25 -31.7	-15 -26.1	-10 -23.3	-5 -20.6	0 -17.8	5 -15	10 -12.2	15 -9.4	20 -6.7	25 -3.8	30 -1.1
80 (26.7)	3140	4400	5270	6270	7380	8560	9820	11130	12450	13800	15000
100 (37.8)	2460	3370	4010	4830	5740	6740	7790	8850	9990	11080	12160
120 (48.9)	2030	2490	2960	3520	4190	4980	5800	6650	7530	8410	9230

POWER (MOTOR WATTS)

°F/°C	EVAPORATING TEMPERATURE °F/°C										
	-25 -31.7	-15 -26.1	-10 -23.3	-5 -20.6	0 -17.8	5 -15	10 -12.2	15 -9.4	20 -6.7	25 -3.8	30 -1.1
80 (26.7)	1840	2160	2360	2570	2790	3010	3200	3370	3490	3560	3570
100 (37.8)	1920	2250	2470	2720	2970	3220	3450	3660	3830	3970	4040
120 (48.9)	1920	2280	2520	2790	3070	3360	3640	3900	4130	4330	4460

Production compressors to meet above nominal performance values within ± 5%.

50 HERTZ

PERFORMANCE DATA

R507

40 °F (4.4 °C) Return Gas

0 °F (0 °K) Subcooling

95° F (35° C) Ambient (Air Over)

220/240-1-50 (PFJ) Rated Voltage

220-1-50 (PFJ) Test Voltage

CS10K6E-PFJ

CAPACITY (BTU/HOUR)

CONDENSING TEMPERATURE °F/°C	EVAPORATING TEMPERATURE °F/°C										
	-25 -31.7	-15 -26.1	-10 -23.3	-5 -20.6	0 -17.8	5 -15	10 -12.2	15 -9.4	20 -6.7	25 -3.8	30 -1.1
80 (26.7)	3100	5120	6250	7490	8840	10300	11900	13700	15600	17700	19900
100 (37.8)	1600	3420	4390	5430	6540	7720	9010	10400	11900	13500	15300
120 (48.9)	700	1530	2390	3280	4200	5160	6170	7250	8410	9650	11000

CAPACITY (KCAL/HOUR)

CONDENSING TEMPERATURE °F/°C	EVAPORATING TEMPERATURE °F/°C										
	-25 -31.7	-15 -26.1	-10 -23.3	-5 -20.6	0 -17.8	5 -15	10 -12.2	15 -9.4	20 -6.7	25 -3.8	30 -1.1
80 (26.7)	780	1290	1580	1890	2230	2600	3000	3450	3930	4460	5010
100 (37.8)	400	860	1110	1370	1650	1950	2270	2620	3000	3400	3860
120 (48.9)	180	390	600	830	1060	1300	1550	1830	2120	2430	2770

CAPACITY (WATTS)

CONDENSING TEMPERATURE °F/°C	EVAPORATING TEMPERATURE °F/°C										
	-25 -31.7	-15 -26.1	-10 -23.3	-5 -20.6	0 -17.8	5 -15	10 -12.2	15 -9.4	20 -6.7	25 -3.8	30 -1.1
80 (26.7)	910	1500	1830	2190	2590	3020	3490	4010	4570	5190	5830
100 (37.8)	470	1000	1290	1590	1920	2260	2640	3050	3490	3960	4480
120 (48.9)	210	450	700	960	1230	1510	1810	2120	2460	2830	3220

POWER (MOTOR WATTS)

CONDENSING TEMPERATURE °F/°C	EVAPORATING TEMPERATURE °F/°C										
	-25 -31.7	-15 -26.1	-10 -23.3	-5 -20.6	0 -17.8	5 -15	10 -12.2	15 -9.4	20 -6.7	25 -3.8	30 -1.1
80 (26.7)	686	846	917	981	1040	1090	1140	1180	1220	1250	1270
100 (37.8)	601	811	905	993	1070	1150	1220	1280	1330	1380	1420
120 (48.9)	390	666	793	912	1020	1130	1220	1310	1390	1470	1530

CS10K6E-PFV

200-1-50 (PFV) Rated Voltage

200-1-50 (PFV) Test Voltage

CAPACITY (BTU/HOUR)

CONDENSING TEMPERATURE °F/°C	EVAPORATING TEMPERATURE °F/°C										
	-25 -31.7	-15 -26.1	-10 -23.3	-5 -20.6	0 -17.8	5 -15	10 -12.2	15 -9.4	20 -6.7	25 -3.8	30 -1.1
80 (26.7)	3100	5120	6250	7490	8840	10300	11900	13700	15600	17700	19900
100 (37.8)	1600	3420	4390	5430	6540	7720	9010	10400	11900	13500	15300
120 (48.9)	700	1530	2390	3280	4200	5160	6170	7250	8410	9650	11000

CAPACITY (KCAL/HOUR)

CONDENSING TEMPERATURE °F/°C	EVAPORATING TEMPERATURE °F/°C										
	-25 -31.7	-15 -26.1	-10 -23.3	-5 -20.6	0 -17.8	5 -15	10 -12.2	15 -9.4	20 -6.7	25 -3.8	30 -1.1
80 (26.7)	780	1290	1580	1890	2230	2600	3000	3450	3930	4460	5010
100 (37.8)	400	860	1110	1370	1650	1950	2270	2620	3000	3400	3860
120 (48.9)	180	390	600	830	1060	1300	1550	1830	2120	2430	2770

CAPACITY (WATTS)

CONDENSING TEMPERATURE °F/°C	EVAPORATING TEMPERATURE °F/°C										
	-25 -31.7	-15 -26.1	-10 -23.3	-5 -20.6	0 -17.8	5 -15	10 -12.2	15 -9.4	20 -6.7	25 -3.8	30 -1.1
80 (26.7)	910	1500	1830	2190	2590	3020	3490	4010	4570	5190	5830
100 (37.8)	470	1000	1290	1590	1920	2260	2640	3050	3490	3960	4480
120 (48.9)	210	450	700	960	1230	1510	1810	2120	2460	2830	3220

POWER (MOTOR WATTS)

CONDENSING TEMPERATURE °F/°C	EVAPORATING TEMPERATURE °F/°C										
	-25 -31.7	-15 -26.1	-10 -23.3	-5 -20.6	0 -17.8	5 -15	10 -12.2	15 -9.4	20 -6.7	25 -3.8	30 -1.1
80 (26.7)	686	846	917	981	1040	1090	1140	1180	1220	1250	1270
100 (37.8)	601	811	905	993	1070	1150	1220	1280	1330	1380	1420
120 (48.9)	390	666	793	912	1020	1130	1220	1310	1390	1470	1530

Production compressors to meet above nominal performance values within ± 5%.

50 HERTZ

PERFORMANCE DATA

R507

40 °F (4.4 °C) Return Gas		0 °F (0 °K) Subcooling			95° F (35° C) Ambient (Air Over)		
200/220-3-50 (TF5) 380/420-3-50 (TFD)		Rated Voltage			220-3-50 (TF5) 380-3-50 (TFD) Test Voltage		

CS10K6E-TF5/D

CAPACITY (BTU/HOUR)

CONDENSING TEMPERATURE °F/°C	EVAPORATING TEMPERATURE °F/°C										
	-25 -31.7	-15 -26.1	-10 -23.3	-5 -20.6	0 -17.8	5 -15	10 -12.2	15 -9.4	20 -6.7	25 -3.8	30 -1.1
80 (26.7)	2850	5180	6330	7530	8800	10200	11700	13300	15200	17200	19600
100 (37.8)	1070	3280	4340	5400	6490	7650	8920	10300	11900	13600	15600
120 (48.9)	700	1500	2420	3300	4190	5120	6110	7210	8430	9810	11400

CAPACITY (KCAL/HOUR)

CONDENSING TEMPERATURE °F/°C	EVAPORATING TEMPERATURE °F/°C										
	-25 -31.7	-15 -26.1	-10 -23.3	-5 -20.6	0 -17.8	5 -15	10 -12.2	15 -9.4	20 -6.7	25 -3.8	30 -1.1
80 (26.7)	720	1310	1600	1900	2220	2570	2950	3350	3830	4330	4940
100 (37.8)	270	830	1090	1360	1640	1930	2250	2600	3000	3430	3930
120 (48.9)	180	380	610	830	1060	1290	1540	1820	2120	2470	2870

CAPACITY (WATTS)

CONDENSING TEMPERATURE °F/°C	EVAPORATING TEMPERATURE °F/°C										
	-25 -31.7	-15 -26.1	-10 -23.3	-5 -20.6	0 -17.8	5 -15	10 -12.2	15 -9.4	20 -6.7	25 -3.8	30 -1.1
80 (26.7)	840	1520	1850	2210	2580	2990	3430	3900	4450	5040	5740
100 (37.8)	310	960	1270	1580	1900	2240	2610	3020	3490	3980	4570
120 (48.9)	210	440	710	970	1230	1500	1790	2110	2470	2870	3340

POWER (MOTOR WATTS)

CONDENSING TEMPERATURE °F/°C	EVAPORATING TEMPERATURE °F/°C										
	-25 -31.7	-15 -26.1	-10 -23.3	-5 -20.6	0 -17.8	5 -15	10 -12.2	15 -9.4	20 -6.7	25 -3.8	30 -1.1
80 (26.7)	641	811	881	942	995	1040	1080	1120	1150	1180	1200
100 (37.8)	551	763	855	940	1020	1090	1160	1220	1280	1340	1400
120 (48.9)	403	651	764	870	971	1070	1160	1250	1340	1430	1520

CS12K6E-PFJ

CAPACITY (BTU/HOUR)

220/240-1-50 (PFJ) Rated Voltage

220-1-50 (PFJ) Test Voltage

CONDENSING TEMPERATURE °F/°C	EVAPORATING TEMPERATURE °F/°C										
	-25 -31.7	-15 -26.1	-10 -23.3	-5 -20.6	0 -17.8	5 -15	10 -12.2	15 -9.4	20 -6.7	25 -3.8	30 -1.1
80 (26.7)	3520	5430	6700	8150	9750	11500	13300	15200	17100	19100	21000
100 (37.8)	2440	3780	4770	5930	7230	8660	10200	11800	13400	15000	16700
120 (48.9)	1590	2360	3060	3920	4930	6060	7280	8560	9870	11200	12500

CAPACITY (KCAL/HOUR)

CONDENSING TEMPERATURE °F/°C	EVAPORATING TEMPERATURE °F/°C										
	-25 -31.7	-15 -26.1	-10 -23.3	-5 -20.6	0 -17.8	5 -15	10 -12.2	15 -9.4	20 -6.7	25 -3.8	30 -1.1
80 (26.7)	890	1370	1690	2050	2460	2900	3350	3830	4310	4810	5290
100 (37.8)	610	950	1200	1490	1820	2180	2570	2970	3380	3780	4210
120 (48.9)	400	590	770	990	1240	1530	1830	2160	2490	2820	3150

CAPACITY (WATTS)

CONDENSING TEMPERATURE °F/°C	EVAPORATING TEMPERATURE °F/°C										
	-25 -31.7	-15 -26.1	-10 -23.3	-5 -20.6	0 -17.8	5 -15	10 -12.2	15 -9.4	20 -6.7	25 -3.8	30 -1.1
80 (26.7)	1030	1590	1960	2390	2860	3370	3900	4450	5010	5600	6150
100 (37.8)	710	1110	1400	1740	2120	2540	2990	3460	3930	4400	4890
120 (48.9)	470	690	900	1150	1440	1780	2130	2510	2890	3280	3660

POWER (MOTOR WATTS)

CONDENSING TEMPERATURE °F/°C	EVAPORATING TEMPERATURE °F/°C										
	-25 -31.7	-15 -26.1	-10 -23.3	-5 -20.6	0 -17.8	5 -15	10 -12.2	15 -9.4	20 -6.7	25 -3.8	30 -1.1
80 (26.7)	736	871	953	1040	1120	1200	1270	1320	1360	1360	1340
100 (37.8)	728	868	959	1060	1160	1260	1350	1430	1490	1540	1550
120 (48.9)	636	789	892	1010	1130	1250	1370	1490	1590	1670	1730

Production compressors to meet above nominal performance values within ± 5%.

50 HERTZ

PERFORMANCE DATA

R507

40 °F (4.4 °C) Return Gas

0 °F (0 °K) Subcooling

95° F (35° C) Ambient (Air Over)

200-1-50 (PFV) Rated Voltage

200-1-50 (PFV) Test Voltage

CS12K6E-PFV

CAPACITY (BTU/HOUR)

CONDENSING TEMPERATURE °F/°C	EVAPORATING TEMPERATURE °F/°C										
	-25 -31.7	-15 -26.1	-10 -23.3	-5 -20.6	0 -17.8	5 -15	10 -12.2	15 -9.4	20 -6.7	25 -3.8	30 -1.1
80 (26.7)	3520	5430	6700	8150	9750	11500	13300	15200	17100	19100	21000
100 (37.8)	2440	3780	4770	5930	7230	8660	10200	11800	13400	15000	16700
120 (48.9)	1590	2360	3060	3920	4930	6060	7280	8560	9870	11200	12500

CAPACITY (KCAL/HOUR)

CONDENSING TEMPERATURE °F/°C	EVAPORATING TEMPERATURE °F/°C										
	-25 -31.7	-15 -26.1	-10 -23.3	-5 -20.6	0 -17.8	5 -15	10 -12.2	15 -9.4	20 -6.7	25 -3.8	30 -1.1
80 (26.7)	890	1370	1690	2050	2460	2900	3350	3830	4310	4810	5290
100 (37.8)	610	950	1200	1490	1820	2180	2570	2970	3380	3780	4210
120 (48.9)	400	590	770	990	1240	1530	1830	2160	2490	2820	3150

CAPACITY (WATTS)

CONDENSING TEMPERATURE °F/°C	EVAPORATING TEMPERATURE °F/°C										
	-25 -31.7	-15 -26.1	-10 -23.3	-5 -20.6	0 -17.8	5 -15	10 -12.2	15 -9.4	20 -6.7	25 -3.8	30 -1.1
80 (26.7)	1030	1590	1960	2390	2860	3370	3900	4450	5010	5600	6150
100 (37.8)	710	1110	1400	1740	2120	2540	2990	3460	3930	4400	4890
120 (48.9)	470	690	900	1150	1440	1780	2130	2510	2890	3280	3660

POWER (MOTOR WATTS)

CONDENSING TEMPERATURE °F/°C	EVAPORATING TEMPERATURE °F/°C										
	-25 -31.7	-15 -26.1	-10 -23.3	-5 -20.6	0 -17.8	5 -15	10 -12.2	15 -9.4	20 -6.7	25 -3.8	30 -1.1
80 (26.7)	736	871	953	1040	1120	1200	1270	1320	1360	1360	1340
100 (37.8)	728	868	959	1060	1160	1260	1350	1430	1490	1540	1550
120 (48.9)	636	789	892	1010	1130	1250	1370	1490	1590	1670	1730

CS12K6E-TF5

200/220-3-50 (TF5) Rated Voltage

220-3-50 (TF5) Test Voltage

CAPACITY (BTU/HOUR)

CONDENSING TEMPERATURE °F/°C	EVAPORATING TEMPERATURE °F/°C										
	-25 -31.7	-15 -26.1	-10 -23.3	-5 -20.6	0 -17.8	5 -15	10 -12.2	15 -9.4	20 -6.7	25 -3.8	30 -1.1
80 (26.7)	3960	6280	7550	8920	10400	12000	13700	15600	17600	19800	22200
100 (37.8)	2190	4180	5260	6410	7660	9000	10500	12100	13800	15700	17800
120 (48.9)	877	2450	3290	4200	5180	6240	7410	8690	10100	11700	13400

CAPACITY (KCAL/HOUR)

CONDENSING TEMPERATURE °F/°C	EVAPORATING TEMPERATURE °F/°C										
	-25 -31.7	-15 -26.1	-10 -23.3	-5 -20.6	0 -17.8	5 -15	10 -12.2	15 -9.4	20 -6.7	25 -3.8	30 -1.1
80 (26.7)	1000	1580	1900	2250	2620	3020	3450	3930	4440	4990	5590
100 (37.8)	550	1050	1330	1620	1930	2270	2650	3050	3480	3960	4490
120 (48.9)	220	620	830	1060	1310	1570	1870	2190	2550	2950	3380

CAPACITY (WATTS)

CONDENSING TEMPERATURE °F/°C	EVAPORATING TEMPERATURE °F/°C										
	-25 -31.7	-15 -26.1	-10 -23.3	-5 -20.6	0 -17.8	5 -15	10 -12.2	15 -9.4	20 -6.7	25 -3.8	30 -1.1
80 (26.7)	1160	1840	2210	2610	3050	3520	4010	4570	5160	5800	6500
100 (37.8)	640	1220	1540	1880	2240	2640	3080	3550	4040	4600	5220
120 (48.9)	260	720	960	1230	1520	1830	2170	2550	2960	3430	3930

POWER (MOTOR WATTS)

CONDENSING TEMPERATURE °F/°C	EVAPORATING TEMPERATURE °F/°C										
	-25 -31.7	-15 -26.1	-10 -23.3	-5 -20.6	0 -17.8	5 -15	10 -12.2	15 -9.4	20 -6.7	25 -3.8	30 -1.1
80 (26.7)	733	927	1010	1080	1140	1200	1240	1280	1310	1330	1340
100 (37.8)	645	872	975	1070	1160	1250	1330	1400	1470	1540	1600
120 (48.9)	544	791	909	1020	1140	1240	1350	1460	1560	1660	1760

Production compressors to meet above nominal performance values within ± 5%.

50 HERTZ

PERFORMANCE DATA

R507

40 °F (4.4 °C) Return Gas

0 °F (0 °K) Subcooling

95° F (35° C) Ambient (Air Over)

220/240-1-50 (PFJ) Rated Voltage

220-1-50 (PFJ) Test Voltage

CS14K6E-PFJ

CAPACITY (BTU/HOUR)

CONDENSING TEMPERATURE °F/°C	EVAPORATING TEMPERATURE °F/°C										
	-25 -31.7	-15 -26.1	-10 -23.3	-5 -20.6	0 -17.8	5 -15	10 -12.2	15 -9.4	20 -6.7	25 -3.8	30 -1.1
80 (26.7)	5010	7270	8650	10200	11900	13700	15600	17700	19900	22200	24700
100 (37.8)	3550	5430	6570	7850	9240	10700	12400	14100	15900	17800	19700
120 (48.9)	2170	3640	4550	5550	6640	7820	9070	10400	11800	13200	14700

CAPACITY (KCAL/HOUR)

CONDENSING TEMPERATURE °F/°C	EVAPORATING TEMPERATURE °F/°C										
	-25 -31.7	-15 -26.1	-10 -23.3	-5 -20.6	0 -17.8	5 -15	10 -12.2	15 -9.4	20 -6.7	25 -3.8	30 -1.1
80 (26.7)	1260	1830	2180	2570	3000	3450	3930	4460	5010	5590	6220
100 (37.8)	890	1370	1660	1980	2330	2700	3120	3550	4010	4490	4960
120 (48.9)	550	920	1150	1400	1670	1970	2290	2620	2970	3330	3700

CAPACITY (WATTS)

CONDENSING TEMPERATURE °F/°C	EVAPORATING TEMPERATURE °F/°C										
	-25 -31.7	-15 -26.1	-10 -23.3	-5 -20.6	0 -17.8	5 -15	10 -12.2	15 -9.4	20 -6.7	25 -3.8	30 -1.1
80 (26.7)	1470	2130	2530	2990	3490	4010	4570	5190	5830	6500	7240
100 (37.8)	1040	1590	1930	2300	2710	3140	3630	4130	4660	5220	5770
120 (48.9)	640	1070	1330	1630	1950	2290	2660	3050	3460	3870	4310

POWER (MOTOR WATTS)

CONDENSING TEMPERATURE °F/°C	EVAPORATING TEMPERATURE °F/°C										
	-25 -31.7	-15 -26.1	-10 -23.3	-5 -20.6	0 -17.8	5 -15	10 -12.2	15 -9.4	20 -6.7	25 -3.8	30 -1.1
80 (26.7)	929	1090	1170	1250	1330	1390	1460	1510	1550	1570	1580
100 (37.8)	895	1090	1200	1300	1400	1500	1590	1680	1750	1820	1870
120 (48.9)	815	1040	1160	1280	1410	1530	1650	1760	1870	1960	2050

CS14K6E-PFV

200-1-50 (PFV) Rated Voltage

200-1-50 (PFV) Test Voltage

CAPACITY (BTU/HOUR)

CONDENSING TEMPERATURE °F/°C	EVAPORATING TEMPERATURE °F/°C										
	-25 -31.7	-15 -26.1	-10 -23.3	-5 -20.6	0 -17.8	5 -15	10 -12.2	15 -9.4	20 -6.7	25 -3.8	30 -1.1
80 (26.7)	5010	7270	8650	10200	11900	13700	15600	17700	19900	22200	24700
100 (37.8)	3550	5430	6570	7850	9240	10700	12400	14100	15900	17800	19700
120 (48.9)	2170	3640	4550	5550	6640	7820	9070	10400	11800	13200	14700

CAPACITY (KCAL/HOUR)

CONDENSING TEMPERATURE °F/°C	EVAPORATING TEMPERATURE °F/°C										
	-25 -31.7	-15 -26.1	-10 -23.3	-5 -20.6	0 -17.8	5 -15	10 -12.2	15 -9.4	20 -6.7	25 -3.8	30 -1.1
80 (26.7)	1260	1830	2180	2570	3000	3450	3930	4460	5010	5590	6220
100 (37.8)	890	1370	1660	1980	2330	2700	3120	3550	4010	4490	4960
120 (48.9)	550	920	1150	1400	1670	1970	2290	2620	2970	3330	3700

CAPACITY (WATTS)

CONDENSING TEMPERATURE °F/°C	EVAPORATING TEMPERATURE °F/°C										
	-25 -31.7	-15 -26.1	-10 -23.3	-5 -20.6	0 -17.8	5 -15	10 -12.2	15 -9.4	20 -6.7	25 -3.8	30 -1.1
80 (26.7)	1470	2130	2530	2990	3490	4010	4570	5190	5830	6500	7240
100 (37.8)	1040	1590	1930	2300	2710	3140	3630	4130	4660	5220	5770
120 (48.9)	640	1070	1330	1630	1950	2290	2660	3050	3460	3870	4310

POWER (MOTOR WATTS)

CONDENSING TEMPERATURE °F/°C	EVAPORATING TEMPERATURE °F/°C										
	-25 -31.7	-15 -26.1	-10 -23.3	-5 -20.6	0 -17.8	5 -15	10 -12.2	15 -9.4	20 -6.7	25 -3.8	30 -1.1
80 (26.7)	929	1090	1170	1250	1330	1390	1460	1510	1550	1570	1580
100 (37.8)	895	1090	1200	1300	1400	1500	1590	1680	1750	1820	1870
120 (48.9)	815	1040	1160	1280	1410	1530	1650	1760	1870	1960	2050

Production compressors to meet above nominal performance values within ± 5%.

50 HERTZ

PERFORMANCE DATA

R507

40 °F (4.4 °C) Return Gas

0 °F (0 °K) Subcooling

95° F (35° C) Ambient (Air Over)

200/240-3-50 (TF5)
380/420-3-50 (TFD)

Rated Voltage

220-3-50 (TF5)
380-3-50 (TFD)

Test Voltage

CS14K6E-TF5/D

CAPACITY (BTU/HOUR)

CONDENSING TEMPERATURE °F/°C	EVAPORATING TEMPERATURE °F/°C										
	-25 -31.7	-15 -26.1	-10 -23.3	-5 -20.6	0 -17.8	5 -15	10 -12.2	15 -9.4	20 -6.7	25 -3.8	30 -1.1
80 (26.7)	4910	7120	8470	9970	11600	13400	15300	17400	19500	21800	24200
100 (37.8)	3480	5320	6440	7690	9050	10500	12100	13800	15600	17400	19300
120 (48.9)	2130	3570	4450	5440	6510	7660	8890	10200	11600	13000	14400

CAPACITY (KCAL/HOUR)

°F/°C	EVAPORATING TEMPERATURE °F/°C										
	-25 -31.7	-15 -26.1	-10 -23.3	-5 -20.6	0 -17.8	5 -15	10 -12.2	15 -9.4	20 -6.7	25 -3.8	30 -1.1
80 (26.7)	1240	1790	2130	2510	2920	3380	3860	4380	4910	5490	6100
100 (37.8)	880	1340	1620	1940	2280	2650	3050	3480	3930	4380	4860
120 (48.9)	540	900	1120	1370	1640	1930	2240	2570	2920	3280	3630

CAPACITY (WATTS)

°F/°C	EVAPORATING TEMPERATURE °F/°C										
	-25 -31.7	-15 -26.1	-10 -23.3	-5 -20.6	0 -17.8	5 -15	10 -12.2	15 -9.4	20 -6.7	25 -3.8	30 -1.1
80 (26.7)	1440	2090	2480	2920	3400	3930	4480	5100	5710	6390	7090
100 (37.8)	1020	1560	1890	2250	2650	3080	3550	4040	4570	5100	5650
120 (48.9)	620	1050	1300	1590	1910	2240	2600	2990	3400	3810	4220

POWER (MOTOR WATTS)

°F/°C	EVAPORATING TEMPERATURE °F/°C										
	-25 -31.7	-15 -26.1	-10 -23.3	-5 -20.6	0 -17.8	5 -15	10 -12.2	15 -9.4	20 -6.7	25 -3.8	30 -1.1
80 (26.7)	901	1060	1140	1210	1290	1350	1410	1460	1500	1520	1530
100 (37.8)	868	1060	1160	1260	1360	1460	1550	1630	1700	1760	1810
120 (48.9)	791	1010	1130	1240	1360	1480	1600	1710	1810	1910	1990

CS17K6E-PFV

200-1-50 (PFV) Rated Voltage

200-1-50 (PFV) Test Voltage

CAPACITY (BTU/HOUR)

CONDENSING TEMPERATURE °F/°C	EVAPORATING TEMPERATURE °F/°C										
	-25 -31.7	-15 -26.1	-10 -23.3	-5 -20.6	0 -17.8	5 -15	10 -12.2	15 -9.4	20 -6.7	25 -3.8	30 -1.1
80 (26.7)											
100 (37.8)											
120 (48.9)											

CAPACITY (KCAL/HOUR)

°F/°C	EVAPORATING TEMPERATURE °F/°C										
	-25 -31.7	-15 -26.1	-10 -23.3	-5 -20.6	0 -17.8	5 -15	10 -12.2	15 -9.4	20 -6.7	25 -3.8	30 -1.1
80 (26.7)											
100 (37.8)											
120 (48.9)											

CAPACITY (WATTS)

°F/°C	EVAPORATING TEMPERATURE °F/°C										
	-25 -31.7	-15 -26.1	-10 -23.3	-5 -20.6	0 -17.8	5 -15	10 -12.2	15 -9.4	20 -6.7	25 -3.8	30 -1.1
80 (26.7)											
100 (37.8)											
120 (48.9)											

POWER (MOTOR WATTS)

°F/°C	EVAPORATING TEMPERATURE °F/°C										
	-25 -31.7	-15 -26.1	-10 -23.3	-5 -20.6	0 -17.8	5 -15	10 -12.2	15 -9.4	20 -6.7	25 -3.8	30 -1.1
80 (26.7)											
100 (37.8)											
120 (48.9)											

Production compressors to meet above nominal performance values within ± 5%.

50 HERTZ

PERFORMANCE DATA

R507

40 °F (4.4 °C) Return Gas

0 °F (0 °K) Subcooling

95° F (35° C) Ambient (Air Over)

220/240-1-50 (PFJ) Rated Voltage

220-1-50 (PFJ) Test Voltage

CS18K6E-PFJ

CAPACITY (BTU/HOUR)

CONDENSING TEMPERATURE °F/°C	EVAPORATING TEMPERATURE °F/°C										
	-25 -31.7	-15 -26.1	-10 -23.3	-5 -20.6	0 -17.8	5 -15	10 -12.2	15 -9.4	20 -6.7	25 -3.8	30 -1.1
80 (26.7)	6660	9450	11300	13400	15800	18400	21100	24000	26900	29900	33000
100 (37.8)	4590	6750	8270	10000	12000	14200	16500	18900	21400	23900	26400
120 (48.9)	2830	4240	5360	6700	8230	9920	11700	13600	15600	17600	19500

CAPACITY (KCAL/HOUR)

CONDENSING TEMPERATURE °F/°C	EVAPORATING TEMPERATURE °F/°C										
	-25 -31.7	-15 -26.1	-10 -23.3	-5 -20.6	0 -17.8	5 -15	10 -12.2	15 -9.4	20 -6.7	25 -3.8	30 -1.1
80 (26.7)	1680	2380	2850	3380	3980	4640	5320	6050	6780	7530	8320
100 (37.8)	1160	1700	2080	2520	3020	3580	4160	4760	5390	6020	6650
120 (48.9)	710	1070	1350	1690	2070	2500	2950	3430	3930	4440	4910

CAPACITY (WATTS)

CONDENSING TEMPERATURE °F/°C	EVAPORATING TEMPERATURE °F/°C										
	-25 -31.7	-15 -26.1	-10 -23.3	-5 -20.6	0 -17.8	5 -15	10 -12.2	15 -9.4	20 -6.7	25 -3.8	30 -1.1
80 (26.7)	1950	2770	3310	3930	4630	5390	6180	7030	7880	8760	9670
100 (37.8)	1340	1980	2420	2930	3520	4160	4830	5540	6270	7000	7740
120 (48.9)	830	1240	1570	1960	2410	2910	3430	3980	4570	5160	5710

POWER (MOTOR WATTS)

CONDENSING TEMPERATURE °F/°C	EVAPORATING TEMPERATURE °F/°C										
	-25 -31.7	-15 -26.1	-10 -23.3	-5 -20.6	0 -17.8	5 -15	10 -12.2	15 -9.4	20 -6.7	25 -3.8	30 -1.1
80 (26.7)	1220	1360	1450	1550	1650	1750	1830	1900	1930	1940	1910
100 (37.8)	1140	1350	1470	1610	1750	1880	2000	2110	2190	2240	2250
120 (48.9)	919	1190	1360	1530	1710	1890	2050	2200	2320	2420	2480

CS18K6E-PFV

200-1-50 (PFV) Rated Voltage

200-1-50 (PFV) Test Voltage

CAPACITY (BTU/HOUR)

CONDENSING TEMPERATURE °F/°C	EVAPORATING TEMPERATURE °F/°C										
	-25 -31.7	-15 -26.1	-10 -23.3	-5 -20.6	0 -17.8	5 -15	10 -12.2	15 -9.4	20 -6.7	25 -3.8	30 -1.1
80 (26.7)	6660	9450	11300	13400	15800	18400	21100	24000	26900	29900	33000
100 (37.8)	4590	6750	8270	10000	12000	14200	16500	18900	21400	23900	26400
120 (48.9)	2830	4240	5360	6700	8230	9920	11700	13600	15600	17600	19500

CAPACITY (KCAL/HOUR)

CONDENSING TEMPERATURE °F/°C	EVAPORATING TEMPERATURE °F/°C										
	-25 -31.7	-15 -26.1	-10 -23.3	-5 -20.6	0 -17.8	5 -15	10 -12.2	15 -9.4	20 -6.7	25 -3.8	30 -1.1
80 (26.7)	1680	2380	2850	3380	3980	4640	5320	6050	6780	7530	8320
100 (37.8)	1160	1700	2080	2520	3020	3580	4160	4760	5390	6020	6650
120 (48.9)	710	1070	1350	1690	2070	2500	2950	3430	3930	4440	4910

CAPACITY (WATTS)

CONDENSING TEMPERATURE °F/°C	EVAPORATING TEMPERATURE °F/°C										
	-25 -31.7	-15 -26.1	-10 -23.3	-5 -20.6	0 -17.8	5 -15	10 -12.2	15 -9.4	20 -6.7	25 -3.8	30 -1.1
80 (26.7)	1950	2770	3310	3930	4630	5390	6180	7030	7880	8760	9670
100 (37.8)	1340	1980	2420	2930	3520	4160	4830	5540	6270	7000	7740
120 (48.9)	830	1240	1570	1960	2410	2910	3430	3980	4570	5160	5710

POWER (MOTOR WATTS)

CONDENSING TEMPERATURE °F/°C	EVAPORATING TEMPERATURE °F/°C										
	-25 -31.7	-15 -26.1	-10 -23.3	-5 -20.6	0 -17.8	5 -15	10 -12.2	15 -9.4	20 -6.7	25 -3.8	30 -1.1
80 (26.7)	1220	1360	1450	1550	1650	1750	1830	1900	1930	1940	1910
100 (37.8)	1140	1350	1470	1610	1750	1880	2000	2110	2190	2240	2250
120 (48.9)	919	1190	1360	1530	1710	1890	2050	2200	2320	2420	2480

Production compressors to meet above nominal performance values within ± 5%.

50 HERTZ

PERFORMANCE DATA

R507

40 °F (4.4 °C) Return Gas	0 °F (0 °K) Subcooling	95° F (35° C) Ambient (Air Over)
200/220-3-50 (TF5) 380/420-3-50 (TFD)	Rated Voltage	220-3-50 (TF5) 380-3-50 (TFD) Test Voltage

CS18K6E-TF5/D

CAPACITY (BTU/HOUR)

CONDENSING TEMPERATURE °F/°C	EVAPORATING TEMPERATURE °F/°C										
	-25 -31.7	-15 -26.1	-10 -23.3	-5 -20.6	0 -17.8	5 -15	10 -12.2	15 -9.4	20 -6.7	25 -3.8	30 -1.1
80 (26.7)	4430	8660	10900	13200	15700	18200	20800	23500	26400	29300	32400
100 (37.8)	2490	5860	7680	9590	11600	13700	16000	18300	20700	23300	26000
120 (48.9)	1780	4040	5320	6700	8190	9800	11500	13300	15300	17400	19600

CAPACITY (KCAL/HOUR)

CONDENSING TEMPERATURE °F/°C	EVAPORATING TEMPERATURE °F/°C										
	-25 -31.7	-15 -26.1	-10 -23.3	-5 -20.6	0 -17.8	5 -15	10 -12.2	15 -9.4	20 -6.7	25 -3.8	30 -1.1
80 (26.7)	1120	2180	2750	3330	3960	4590	5240	5920	6650	7380	8160
100 (37.8)	630	1480	1940	2420	2920	3450	4030	4610	5220	5870	6550
120 (48.9)	450	1020	1340	1690	2060	2470	2900	3350	3860	4380	4940

CAPACITY (WATTS)

CONDENSING TEMPERATURE °F/°C	EVAPORATING TEMPERATURE °F/°C										
	-25 -31.7	-15 -26.1	-10 -23.3	-5 -20.6	0 -17.8	5 -15	10 -12.2	15 -9.4	20 -6.7	25 -3.8	30 -1.1
80 (26.7)	1300	2540	3190	3870	4600	5330	6090	6890	7740	8580	9490
100 (37.8)	730	1720	2250	2810	3400	4010	4690	5360	6070	6830	7620
120 (48.9)	520	1180	1560	1960	2400	2870	3370	3900	4480	5100	5740

POWER (MOTOR WATTS)

CONDENSING TEMPERATURE °F/°C	EVAPORATING TEMPERATURE °F/°C										
	-25 -31.7	-15 -26.1	-10 -23.3	-5 -20.6	0 -17.8	5 -15	10 -12.2	15 -9.4	20 -6.7	25 -3.8	30 -1.1
80 (26.7)	942	1250	1390	1510	1620	1720	1790	1840	1880	1880	1860
100 (37.8)	879	1220	1380	1530	1670	1800	1920	2020	2100	2160	2190
120 (48.9)	779	1140	1320	1500	1670	1830	1990	2130	2250	2360	2450

CS20K6E-PFZ

220/240-1-50 (PFZ) Rated Voltage	220-1-50 (PFZ) Test Voltage
----------------------------------	-----------------------------

CAPACITY (BTU/HOUR)

CONDENSING TEMPERATURE °F/°C	EVAPORATING TEMPERATURE °F/°C										
	-25 -31.7	-15 -26.1	-10 -23.3	-5 -20.6	0 -17.8	5 -15	10 -12.2	15 -9.4	20 -6.7	25 -3.8	30 -1.1
80 (26.7)											
100 (37.8)											
120 (48.9)											

CAPACITY (KCAL/HOUR)

CONDENSING TEMPERATURE °F/°C	EVAPORATING TEMPERATURE °F/°C										
	-25 -31.7	-15 -26.1	-10 -23.3	-5 -20.6	0 -17.8	5 -15	10 -12.2	15 -9.4	20 -6.7	25 -3.8	30 -1.1
80 (26.7)											
100 (37.8)											
120 (48.9)											

CAPACITY (WATTS)

CONDENSING TEMPERATURE °F/°C	EVAPORATING TEMPERATURE °F/°C										
	-25 -31.7	-15 -26.1	-10 -23.3	-5 -20.6	0 -17.8	5 -15	10 -12.2	15 -9.4	20 -6.7	25 -3.8	30 -1.1
80 (26.7)											
100 (37.8)											
120 (48.9)											

POWER (MOTOR WATTS)

CONDENSING TEMPERATURE °F/°C	EVAPORATING TEMPERATURE °F/°C										
	-25 -31.7	-15 -26.1	-10 -23.3	-5 -20.6	0 -17.8	5 -15	10 -12.2	15 -9.4	20 -6.7	25 -3.8	30 -1.1
80 (26.7)											
100 (37.8)											
120 (48.9)											

Production compressors to meet above nominal performance values within ± 5%.

50 HERTZ

PERFORMANCE DATA

R507

40 °F (4.4 °C) Return Gas

0 °F (0 °K) Subcooling

95° F (35° C) Ambient (Air Over)

200-1-50 (PFV) Rated Voltage

200-1-50 (PFV) Test Voltage

CS20K6E-PFV

CAPACITY (BTU/HOUR)

CONDENSING TEMPERATURE °F/°C	EVAPORATING TEMPERATURE °F/°C										
	-25 -31.7	-15 -26.1	-10 -23.3	-5 -20.6	0 -17.8	5 -15	10 -12.2	15 -9.4	20 -6.7	25 -3.8	30 -1.1
80 (26.7)	7490	11300	13300	15600	18100	20800	24000	27500	31400	35900	40900
100 (37.8)	4700	8020	9750	11500	13500	15700	18200	20900	24100	27700	31700
120 (48.9)	1700	4630	6050	7510	9080	10700	12700	14700	17200	20000	23200

CAPACITY (KCAL/HOUR)

°F/°C	EVAPORATING TEMPERATURE °F/°C										
	-25 -31.7	-15 -26.1	-10 -23.3	-5 -20.6	0 -17.8	5 -15	10 -12.2	15 -9.4	20 -6.7	25 -3.8	30 -1.1
80 (26.7)	1890	2850	3350	3930	4560	5240	6050	6930	7910	9050	10310
100 (37.8)	1180	2020	2460	2900	3400	3960	4590	5270	6070	6980	7990
120 (48.9)	430	1170	1520	1890	2290	2700	3200	3700	4330	5040	5850

CAPACITY (WATTS)

°F/°C	EVAPORATING TEMPERATURE °F/°C										
	-25 -31.7	-15 -26.1	-10 -23.3	-5 -20.6	0 -17.8	5 -15	10 -12.2	15 -9.4	20 -6.7	25 -3.8	30 -1.1
80 (26.7)	2190	3310	3900	4570	5300	6090	7030	8060	9200	10520	11980
100 (37.8)	1380	2350	2860	3370	3960	4600	5330	6120	7060	8120	9290
120 (48.9)	500	1360	1770	2200	2660	3140	3720	4310	5040	5860	6800

POWER (MOTOR WATTS)

°F/°C	EVAPORATING TEMPERATURE °F/°C										
	-25 -31.7	-15 -26.1	-10 -23.3	-5 -20.6	0 -17.8	5 -15	10 -12.2	15 -9.4	20 -6.7	25 -3.8	30 -1.1
80 (26.7)	1320	1600	1720	1820	1920	2020	2130	2230	2350	2470	2610
100 (37.8)	1220	1570	1720	1870	2010	2140	2270	2400	2540	2690	2860
120 (48.9)	920	1370	1570	1770	1940	2120	2290	2470	2650	2840	3040

CS20K6E-TF5/D

200/220-3-50 (TF5) 380/420-3-50 (TFD)	Rated Voltage	220-3-50 (TF5) 380-3-50 (TFD)	Test Voltage
--	---------------	----------------------------------	--------------

CAPACITY (BTU/HOUR)

CONDENSING TEMPERATURE °F/°C	EVAPORATING TEMPERATURE °F/°C										
	-25 -31.7	-15 -26.1	-10 -23.3	-5 -20.6	0 -17.8	5 -15	10 -12.2	15 -9.4	20 -6.7	25 -3.8	30 -1.1
80 (26.7)	7350	11100	13100	15300	17800	20500	23500	27000	30900	35300	40200
100 (37.8)	4650	7880	9550	11300	13300	15400	17800	20600	23700	27200	31200
120 (48.9)	1660	4550	5940	7370	8880	10500	12400	14500	16900	19600	22800

CAPACITY (KCAL/HOUR)

°F/°C	EVAPORATING TEMPERATURE °F/°C										
	-25 -31.7	-15 -26.1	-10 -23.3	-5 -20.6	0 -17.8	5 -15	10 -12.2	15 -9.4	20 -6.7	25 -3.8	30 -1.1
80 (26.7)	1850	2800	3300	3860	4490	5170	5920	6800	7790	8900	10130
100 (37.8)	1170	1990	2410	2850	3350	3880	4490	5190	5970	6850	7860
120 (48.9)	420	1150	1500	1860	2240	2650	3120	3650	4260	4940	5750

CAPACITY (WATTS)

°F/°C	EVAPORATING TEMPERATURE °F/°C										
	-25 -31.7	-15 -26.1	-10 -23.3	-5 -20.6	0 -17.8	5 -15	10 -12.2	15 -9.4	20 -6.7	25 -3.8	30 -1.1
80 (26.7)	2150	3250	3840	4480	5220	6010	6890	7910	9050	10340	11780
100 (37.8)	1360	2310	2800	3310	3900	4510	5220	6040	6940	7970	9140
120 (48.9)	490	1330	1740	2160	2600	3080	3630	4250	4950	5740	6680

POWER (MOTOR WATTS)

°F/°C	EVAPORATING TEMPERATURE °F/°C										
	-25 -31.7	-15 -26.1	-10 -23.3	-5 -20.6	0 -17.8	5 -15	10 -12.2	15 -9.4	20 -6.7	25 -3.8	30 -1.1
80 (26.7)	1260	1520	1630	1740	1840	1930	2030	2130	2240	2360	2490
100 (37.8)	1170	1500	1650	1780	1910	2040	2160	2290	2420	2570	2720
120 (48.9)	878	1310	1500	1680	1850	2020	2180	2350	2520	2700	2900

Production compressors to meet above nominal performance values within ± 5%.

COMPRESSOR SPECIFICATION

The compressor shall be of two cylinders, with an internal overload motor protector on all models. For maximum compressor life the compressor should include a minimum of 45 ounces (1.33 liters) of oil. The compressor shall be capable of operating on R22, R134a, R404A or R507.

The compressor must also be capable of operating

at condensing temperatures up to 140°F (60.0°C). The compressor shall operate at an ARI point minimum efficiency of 3.3 BTU/WATT. Efficiencies of better than 3.3 BTU/WATT are acceptable, but efficiencies below 3.3 BTU/WATT are not acceptable. The compressor shall be of the Copeland CF/CS type or approved equal.

UNITS CONVERSION CHART

BTUH × 0.252 = KCALH

BTUH × 0.293 = WATTS

(°F – 32) × ⁵/₉ = °C

POUNDS × 0.454 = KILOGRAMS

INCHES × 25.4 = MILLIMETERS

CUBIC INCHES × 16.386 = CUBIC CENTIMETERS

FLUID OUNCES × 0.02957 = LITERS

CUBIC FEET × 0.02831 = CUBIC METERS

HORSEPOWER × 0.746 = KILOWATTS

**50
60 HERTZ**

**APPROVED CF COMPRESSOR
OPERATING RANGE**

R404A

**AN OKAY INDICATES AN APPROVED POINT FOR COMPRESSOR OPERATION
AN **** INDICATES A NON-APPROVED POINT FOR COMPRESSOR OPERATION**

CONDENSING TEMPERATURE		EVAPORATING TEMPERATURE °F/°C								
°F	°C	-30 -34	-25 -32	-20 -29	-15 -26	-10 -23	-5 -21	0 -18	5 -15	10 -12
70	21	OKAY	OKAY	OKAY	OKAY	OKAY	OKAY	OKAY	OKAY	OKAY
80	27	OKAY	OKAY	OKAY	OKAY	OKAY	OKAY	OKAY	OKAY	OKAY
90	32	OKAY	OKAY	OKAY	OKAY	OKAY	OKAY	OKAY	OKAY	OKAY
100	38	OKAY	OKAY	OKAY	OKAY	OKAY	OKAY	OKAY	OKAY	OKAY
110	43	OKAY	OKAY	OKAY	OKAY	OKAY	OKAY	OKAY	OKAY	OKAY
120	49	OKAY	OKAY	OKAY	OKAY	OKAY	OKAY	OKAY	OKAY	OKAY
130	54	****	****	OKAY	OKAY	OKAY	OKAY	OKAY	OKAY	OKAY
140	60	****	****	****	OKAY	OKAY	OKAY	OKAY	OKAY	OKAY

Approved range is based on 40 °F (4.4 °C) of return gas.

**50
60 HERTZ**

**APPROVED CS COMPRESSOR
OPERATING RANGE**

R22

**AN OKAY INDICATES AN APPROVED POINT FOR COMPRESSOR OPERATION
AN **** INDICATES A NON-APPROVED POINT FOR COMPRESSOR OPERATION**

CONDENSING TEMPERATURE		EVAPORATING TEMPERATURE °F/°C						
°F	°C	0 -17.8	5 -15	10 -12.2	15 -9.4	20 -6.7	25 -3.9	30 -1.1
90	32	OKAY	OKAY	OKAY	OKAY	OKAY	OKAY	OKAY
100	38	OKAY	OKAY	OKAY	OKAY	OKAY	OKAY	OKAY
110	43	OKAY	OKAY	OKAY	OKAY	OKAY	OKAY	OKAY
120	49	****	OKAY	OKAY	OKAY	OKAY	OKAY	OKAY
130	54	****	****	OKAY	OKAY	OKAY	OKAY	OKAY
140	60	****	****	****	OKAY	OKAY	OKAY	OKAY

Approved range is based on 40 °F (4.4 °C) of return gas.

**50
60 HERTZ**

**APPROVED CS COMPRESSOR
OPERATING RANGE**

R134a

**AN OKAY INDICATES AN APPROVED POINT FOR COMPRESSOR OPERATION
AN **** INDICATES A NON-APPROVED POINT FOR COMPRESSOR OPERATION**

CONDENSING TEMPERATURE		EVAPORATING TEMPERATURE °F/°C											
°F	°C	-10 -23.3	0 -17.8	5 -15	10 -12.2	15 -9.4	20 -6.7	25 -3.9	30 -1.1	35 1.7	40 4.4	45 7.2	55 12.8
70	21	OKAY	OKAY	OKAY	OKAY	OKAY	OKAY	OKAY	OKAY	OKAY	OKAY	OKAY	OKAY
80	27	OKAY	OKAY	OKAY	OKAY	OKAY	OKAY	OKAY	OKAY	OKAY	OKAY	OKAY	OKAY
90	32	OKAY	OKAY	OKAY	OKAY	OKAY	OKAY	OKAY	OKAY	OKAY	OKAY	OKAY	OKAY
100	38	OKAY	OKAY	OKAY	OKAY	OKAY	OKAY	OKAY	OKAY	OKAY	OKAY	OKAY	OKAY
110	43	****	OKAY	OKAY	OKAY	OKAY	OKAY	OKAY	OKAY	OKAY	OKAY	OKAY	OKAY
120	49	****	****	OKAY	OKAY	OKAY	OKAY	OKAY	OKAY	OKAY	OKAY	OKAY	OKAY
130	54	****	****	****	OKAY	OKAY	OKAY	OKAY	OKAY	OKAY	OKAY	OKAY	OKAY
140	60	****	****	****	****	OKAY	OKAY	OKAY	OKAY	OKAY	OKAY	OKAY	OKAY

Approved range is based on 65 °F (18.3 °C) of return gas.

**50
60 HERTZ**

**APPROVED CS COMPRESSOR
OPERATING RANGE**

**R404A
R507**

**AN OKAY INDICATES AN APPROVED POINT FOR COMPRESSOR OPERATION
AN **** INDICATES A NON-APPROVED POINT FOR COMPRESSOR OPERATION**

CONDENSING TEMPERATURE		EVAPORATING TEMPERATURE °F/°C										
°F	°C	-25 -31.7	-15 -26.1	-10 -23.3	-5 -20.6	0 -17.8	5 -15	10 -12.2	15 -9.4	20 -6.7	25 -3.9	30 -1.1
70	21	OKAY	OKAY	OKAY	OKAY	OKAY	OKAY	OKAY	OKAY	OKAY	OKAY	OKAY
80	27	OKAY	OKAY	OKAY	OKAY	OKAY	OKAY	OKAY	OKAY	OKAY	OKAY	OKAY
90	32	OKAY	OKAY	OKAY	OKAY	OKAY	OKAY	OKAY	OKAY	OKAY	OKAY	OKAY
100	38	OKAY	OKAY	OKAY	OKAY	OKAY	OKAY	OKAY	OKAY	OKAY	OKAY	OKAY
110	43	OKAY	OKAY	OKAY	OKAY	OKAY	OKAY	OKAY	OKAY	OKAY	OKAY	OKAY
120	49	OKAY	OKAY	OKAY	OKAY	OKAY	OKAY	OKAY	OKAY	OKAY	OKAY	OKAY
130	54	****	OKAY	OKAY	OKAY	OKAY	OKAY	OKAY	OKAY	OKAY	OKAY	OKAY
140	60	****	****	OKAY	OKAY	OKAY	OKAY	OKAY	OKAY	OKAY	OKAY	OKAY

Approved range is based on 40 °F (4.4 °C) of return gas.

APPLICATION NOTES

- The CF/CS compressors include the features below that are important to every application.
 - Two cylinders provide smooth operation.
 - Aluminum piston/cast iron ring assemblies provide reduced reciprocating mass and positive pressure seal.
 - Centrifugal oil pump supplies positive lubrication to bearing surfaces.
 - External baked enamel finish prevents rust.
- The motor protector used in the CF/CS compressors are mounted internally and its proven design is the result of extensive laboratory research and field testing. It protects the motor from maximum operating overload, both high and low voltage, and loss of refrigerant charge. It is both current and heat sensing. The single phase protector protects both the run and start windings. The three phase protector is wired at the connection point of the motor's three legs. Therefore, the protector protects all three legs and if a problem occurs with one or more of them, the protector breaks all three phases.
- The rotational speed of the CF/CS compressor is:
 - 50 Hertz 2900 RPM
- The weight of the liquid refrigerant in the compressor shell that will cause an audible mechanical slug on start-up is 6 lbs. (2.7 kg). If system refrigerant charge exceeds this value, use a crankcase heater or other protective means.
- For the CF compressor the maximum return gas temperature and discharge line temperature, must be held as follows:

- Rated load amps is the value used for contactor and other electrical component selection. It is calculated by dividing the maximum continuous current that the compressor draws under the condition of maximum load operation and the lowest operating voltage by 1.4. See Application Bulletin AE 9-1154 for a detailed explanation.
- Complete 50 Hertz performance curves are available in the units as follows:
 - Capacity BTU/Hr
 - Power Input Watts
 - Current Amps
 - Efficiency BTUH/Watt
- Copeland has compiled a book of compressor Application Bulletins. Please see the following bulletins, from the book, for more CRKQ compressor application information as entitled below:

Mounting Parts..... AE 4-1111
 CF Compressor..... AE 4-1307
 Nameplate Amperage Rating..... AE 9-1154
 Single Phase Motor Failures AE 9-1209
 Nameplate Voltages..... AE 9-1228
 Maximum Continuous
 Current Rating AE 9-1250
 Motor Terminal Connections..... AE 9-1269
 Effect of Electrical Components
 on Motor Protection AE 10-1187
 Run Capacitors AE 10-1272
 Liquid Refrigerant Control AE 22-1182
 Off Cycle Motor Heat for Liquid
 Refrigerant Control..... AE 22-1230

Evap Temp (SST)		Max Return Gas		Max Cond Temp		Max Disch Line	
°F	°C	°F	°C	°F	°C	°F	°C
10	-12.2	40	4.4	140	60	225	107
5	-15	40	4.4	140	60	225	107
0	-17.8	40	4.4	140	60	225	107
-5	-20.6	40	4.4	140	60	225	107
-10	-23.3	40	4.4	140	60	225	107
-15	-26.1	40	4.4	140	60	225	107
-20	-28.9	40	4.4	130	54	225	107
-25	-31.7	40	4.4	125	52	225	107
-30	-34.4	40	4.4	120	49	225	107

MULTIPACK PACKAGING AND SHIPPING INFORMATION

Compressors are placed on a heavy-duty skid, overpacked with a protective shroud, and banded.

MODEL	NUMBER OF COMPRESSORS PER MULTIPACK	MULTIPACK WEIGHT POUNDS KILOGRAMS	MULTIPACK DIMENSIONS LENGTH x WIDTH x HEIGHT INCHES CENTIMETERS	MULTIPACK CUBE CUBIC FEET CUBIC METERS	NUMBER OF MULTIPACKS PER 20 FOOT STEEL CONTAINER	NUMBER OF COMPRESSORS PER 20 FOOT STEEL CONTAINER*	TOTAL WEIGHT INSIDE 20 FOOT STEEL CONTAINER POUNDS KILOGRAMS
CF04K6E-PFV	40	2820 1279	48.5 X 44 X 32 123.2 X 111.8 X 81.3	39.5 1.12	13.5	540	38100 17300
CF04K6E-TF5	40	2740 1243	48.5 X 44 X 32 123.2 X 111.8 X 81.3	39.5 1.12	14.0	560	38400 17400
CF04K6E-TFD	40	2740 1243	48.5 X 44 X 32 123.2 X 111.8 X 81.3	39.5 1.12	14.0	560	38400 17400
CF06K6E-PFV	40	2820 1279	48.5 X 44 X 32 123.2 X 111.8 X 81.3	39.5 1.12	13.5	540	38100 17300
CF06K6E-TF5	40	2740 1243	48.5 X 44 X 32 123.2 X 111.8 X 81.3	39.5 1.12	14.0	560	38400 17400
CF06K6E-TFD	40	2740 1243	48.5 X 44 X 32 123.2 X 111.8 X 81.3	39.5 1.12	14.0	560	38400 17400
CF09K6E-PFV	40	2940 1334	48.5 X 44 X 33 123.2 X 111.8 X 83.8	40.8 1.15	13.0	520	38200 17300
CF09K6E-TF5	40	2860 1297	48.5 X 44 X 33 123.2 X 111.8 X 83.8	40.8 1.15	13.5	540	38600 17500
CF09K6E-TFD	40	2860 1297	48.5 X 44 X 33 123.2 X 111.8 X 83.8	40.8 1.15	13.5	540	38600 17500
CF12K6E-PFV	40	3020 1370	48.5 X 44 X 36 123.2 X 111.8 X 91.4	44.5 1.26	12.5	500	37800 17100
CF12K6E-TF5	40	2940 1334	48.5 X 44 X 32 123.2 X 111.8 X 81.3	39.5 1.12	13.0	520	38200 17300
CF12K6E-TFD	40	2940 1334	48.5 X 44 X 33 123.2 X 111.8 X 83.8	40.8 1.15	13.0	520	38200 17300
CS08KQE-PFV	40	2660 1207	48.5 X 44 X 32 123.2 X 111.8 X 81.3	39.5 1.12	14.5	580	38600 17500
CS08KQE-PFZ	40	2620 1188	48.5 X 44 X 33 123.2 X 111.8 X 83.8	40.8 1.15	14.5	580	38000 17200
CS10K6E-PFJ	40	2660 1207	48.5 X 44 X 33 123.2 X 111.8 X 83.8	40.8 1.15	14.5	580	38600 17500
CS10K6E-PFV	40	2660 1207	48.5 X 44 X 33 123.2 X 111.8 X 83.8	40.8 1.15	14.5	580	38600 17500
CS10K6E-TF5	40	2580 1170	48.5 X 44 X 33 123.2 X 111.8 X 83.8	40.8 1.15	15.0	600	38700 17600
CS10K6E-TFD	40	2580 1170	48.5 X 44 X 33 123.2 X 111.8 X 83.8	40.8 1.15	15.0	600	38700 17600
CS12K6E-PFJ	40	2660 1207	48.5 X 44 X 33 123.2 X 111.8 X 83.8	40.8 1.15	14.5	580	38600 17500
CS12K6E-PFV	40	2660 1207	48.5 X 44 X 33 123.2 X 111.8 X 83.8	40.8 1.15	14.5	580	38600 17500
CS12K6E-TF5	40	2580 1170	48.5 X 44 X 33 123.2 X 111.8 X 83.8	40.8 1.15	15.0	600	38700 17600
CS14K6E-PFJ	40	2740 1243	48.5 X 44 X 33 123.2 X 111.8 X 83.8	40.8 1.15	14.0	560	38400 17400

MULTIPACK PACKAGING AND SHIPPING INFORMATION

Compressors are placed on a heavy-duty skid, overpacked with a protective shroud, and banded.

MODEL	NUMBER OF COMPRESSORS PER MULTIPACK	MULTIPACK WEIGHT POUNDS KILOGRAMS	MULTIPACK DIMENSIONS LENGTH x WIDTH x HEIGHT INCHES CENTIMETERS	MULTIPACK CUBE CUBIC FEET CUBIC METERS	NUMBER OF MULTIPACKS PER 20 FOOT STEEL CONTAINER	NUMBER OF COMPRESSORS PER 20 FOOT STEEL CONTAINER*	TOTAL WEIGHT INSIDE 20 FOOT STEEL CONTAINER POUNDS KILOGRAMS
CS14K6E-PFV	40	2740 1243	48.5 X 44 X 33 123.2 X 111.8 X 83.8	40.8 1.15	14.0	560	38400 17400
CS14K6E-TF5	40	2620 1188	48.5 X 44 X 33 123.2 X 111.8 X 83.8	40.8 1.15	14.5	580	38000 17200
CS14K6E-TFD	40	2620 1188	48.5 X 44 X 33 123.2 X 111.8 X 83.8	40.8 1.15	14.5	580	38000 17200
CS17K6E-PFV	40	2780 1261	48.5 X 44 X 33 123.2 X 111.8 X 83.8	40.8 1.15	13.5	540	37500 17000
CS18K6E-PFJ	40	2780 1261	48.5 X 44 X 33 123.2 X 111.8 X 83.8	40.8 1.15	13.5	540	37500 17000
CS18K6E-PFV	40	2780 1261	48.5 X 44 X 33 123.2 X 111.8 X 83.8	40.8 1.15	13.5	540	37500 17000
CS18K6E-TF5	40	2700 1225	48.5 X 44 X 33 123.2 X 111.8 X 83.8	40.8 1.15	14.0	560	37800 17100
CS18K6E-TFD	40	2700 1225	48.5 X 44 X 33 123.2 X 111.8 X 83.8	40.8 1.15	14.0	560	37800 17100
CS20K6E-PFV	40	2860 1297	48.5 X 44 X 34 123.2 X 111.8 X 86.4	42 1.19	13.5	540	38600 17500
CS20K6E-PFZ	40	2860 1297	48.5 X 44 X 34 123.2 X 111.8 X 86.4	42 1.19	13.5	540	38600 17500
CS20K6E-TF5	40	2780 1261	48.5 X 44 X 34 123.2 X 111.8 X 86.4	42 1.19	13.5	540	37500 17000
CS20K6E-TFD	40	2780 1261	48.5 X 44 X 34 123.2 X 111.8 X 86.4	42 1.19	13.5	540	37500 17000
CS24K6E-PFV	40	3020 1370	48.5 X 44 X 36 123.2 X 111.8 X 91.4	44.5 1.26	12.5	500	37800 17100
CS24K6E-PFZ	40	3020 1370	48.5 X 44 X 36 123.2 X 111.8 X 91.4	44.5 1.26	12.5	500	37800 17100
CS24K6E-TF5	40	3020 1370	48.5 X 44 X 36 123.2 X 111.8 X 91.4	44.5 1.26	12.5	500	37800 17100
CS27K6E-PFV	40	3060 1388	48.5 X 44 X 36 123.2 X 111.8 X 91.4	44.5 1.26	12.5	500	38300 17400
CS27K6E-PFZ	40	3060 1388	48.5 X 44 X 36 123.2 X 111.8 X 91.4	44.5 1.26	12.5	500	38300 17400
CS27K6E-TF5	40	3020 1370	48.5 X 44 X 36 123.2 X 111.8 X 91.4	44.5 1.26	12.5	500	37800 17100
CS27K6E-TFD	40	3020 1370	48.5 X 44 X 36 123.2 X 111.8 X 91.4	44.5 1.26	12.5	500	37800 17100
CS33K6E-PFV	40	3060 1388	48.5 X 44 X 36 123.2 X 111.8 X 91.4	44.5 1.26	12.5	500	38300 17400
CS33K6E-TF5	40	3020 1370	48.5 X 44 X 36 123.2 X 111.8 X 91.4	44.5 1.26	12.5	500	37800 17100
CS33K6E-TFD	40	3020 1370	48.5 X 44 X 36 123.2 X 111.8 X 91.4	44.5 1.26	12.5	500	37800 17100

*Minimum quantities are shown. Quantities can be increased through special arrangements if certain equipment and services are available.

MULTIPLE SINGLE PACK PACKAGING AND SHIPPING INFORMATION

Weight (pounds/kilograms) of a pallet of 12 single pack cartons placed on a wooden skid, overpacked with a protective shroud, and banded. Multipack dimensions (cube) are 45 x 33 x 46 inches (39.5 FT³), 114.3 x 83.8 x 116.8 centimeters (1.12 m³).

MODEL	NO CAPACITORS, RELAY OR VALVES	RUN CAPACITOR, START CAPACITOR, AND RELAY	RUN CAPACITOR, START CAPACITOR, RELAY, AND SERVICE VALVES	SERVICE VALVES ONLY
CF04K6E-PFV	911	928	964	947
	413	421	437	430
CF04K6E-TF5	887	-	-	923
	402	-	-	419
CF04K6E-TFD	887	-	-	923
	402	-	-	419
CF06K6E-PFV	911	928	964	947
	413	421	437	430
CF06K6E-TF5	887	-	-	923
	402	-	-	419
CF06K6E-TFD	887	-	-	923
	402	-	-	419
CF09K6E-PFV	947	964	1000	983
	430	437	454	446
CF09K6E-TF5	923	-	-	959
	419	-	-	435
CF09K6E-TFD	923	-	-	959
	419	-	-	435
CF12K6E-PFV	971	988	1024	1007
	440	448	464	457
CF12K6E-TF5	947	-	-	983
	430	-	-	446
CF12K6E-TFD	947	-	-	983
	430	-	-	446
CS08KQE-PFV	863	880	916	899
	391	399	415	408
CS08KQE-PFZ	851	868	904	887
	386	394	410	402
CS10K6E-PFJ	863	880	916	899
	391	399	415	408
CS10K6E-PFV	863	880	916	899
	391	399	415	408
CS10K6E-TF5	839	-	-	875
	381	-	-	397
CS10K6E-TFD	839	-	-	875
	381	-	-	397
CS12K6E-PFJ	863	880	916	899
	391	399	415	408
CS12K6E-PFV	863	880	916	899
	391	399	415	408
CS12K6E-TF5	839	-	-	875
	381	-	-	397
CS14K6E-PFJ	887	904	940	923
	402	410	426	419

MULTIPLE SINGLE PACK PACKAGING AND SHIPPING INFORMATION

Weight (pounds/kilograms) of a pallet of 12 single pack cartons placed on a wooden skid, overpacked with a protective shroud, and banded. Multipack dimensions (cube) are 45 x 33 x 46 inches (39.5 FT³), 114.3 x 83.8 x 116.8 centimeters (1.12 m³).

MODEL	NO CAPACITORS, RELAY OR VALVES	RUN CAPACITOR, START CAPACITOR, AND RELAY	RUN CAPACITOR, START CAPACITOR, RELAY, AND SERVICE VALVES	SERVICE VALVES ONLY
CS14K6E-PFV	887	904	940	923
	402	410	426	419
CS14K6E-TF5	851	-	-	887
	386	-	-	402
CS14K6E-TFD	851	-	-	887
	386	-	-	402
CS17K6E-PFV	899	916	952	935
	408	415	432	424
CS18K6E-PFJ	899	916	952	935
	408	415	432	424
CS18K6E-PFV	899	916	952	935
	408	415	432	424
CS18K6E-TF5	875	-	-	911
	397	-	-	413
CS18K6E-TFD	875	-	-	911
	397	-	-	413
CS20K6E-PFV	923	940	976	959
	419	426	443	435
CS20K6E-PFZ	923	940	976	959
	419	426	443	435
CS20K6E-TF5	899	-	-	935
	408	-	-	424
CS20K6E-TFD	899	-	-	935
	408	-	-	424
CS24K6E-PFV	971	988	1024	1007
	440	448	464	457
CS24K6E-PFZ	971	988	1024	1007
	440	448	464	457
CS24K6E-TF5	971	-	-	1007
	440	-	-	457
CS27K6E-PFV	983	1000	1036	1019
	446	454	470	462
CS27K6E-PFZ	983	1000	1036	1019
	446	454	470	462
CS27K6E-TF5	971	-	-	1007
	440	-	-	457
CS27K6E-TFD	971	-	-	1007
	440	-	-	457
CS33K6E-PFV	983	1000	1036	1019
	446	454	470	462
CS33K6E-TF5	971	-	-	1007
	440	-	-	457
CS33K6E-TFD	971	-	-	1007
	440	-	-	457

MULTIPLE SINGLE PACK PACKAGING AND SHIPPING INFORMATION

Weight (pounds/kilograms) of a pallet of 18 single pack cartons placed on a wooden skid, overpacked with a protective shroud, and banded. Multipack dimensions (cube) are 48.5 x 44 x 46 inches (56.8 FT³), 123.2 x 111.8 x 116.8 centimeters (1.61 m³).

MODEL	NO CAPACITORS, RELAY OR VALVES	RUN CAPACITOR, START CAPACITOR, AND RELAY	RUN CAPACITOR, START CAPACITOR, RELAY, AND SERVICE VALVES	SERVICE VALVES ONLY
CF04K6E-PFV	1357 616	1382 627	1436 651	1411 640
CF04K6E-TF5	1321 599	- -	- -	1375 624
CF04K6E-TFD	1321 599	- -	- -	1375 624
CF06K6E-PFV	1357 616	1382 627	1436 651	1411 640
CF06K6E-TF5	1321 599	- -	- -	1375 624
CF06K6E-TFD	1321 599	- -	- -	1375 624
CF09K6E-PFV	1411 640	1436 651	1490 676	1465 665
CF09K6E-TF5	1375 624	- -	- -	1429 648
CF09K6E-TFD	1375 624	- -	- -	1429 648
CF12K6E-PFV	1447 656	1472 668	1526 692	1501 681
CF12K6E-TF5	1411 640	- -	- -	1465 665
CF12K6E-TFD	1411 640	- -	- -	1465 665
CS08KQE-PFV	1285 583	1310 594	1364 619	1339 607
CS08KQE-PFZ	1267 575	1292 586	1346 611	1321 599
CS10K6E-PFJ	1285 583	1310 594	1364 619	1339 607
CS10K6E-PFV	1285 583	1310 594	1364 619	1339 607
CS10K6E-TF5	1249 567	- -	- -	1303 591
CS10K6E-TFD	1249 567	- -	- -	1303 591
CS12K6E-PFJ	1285 583	1310 594	1364 619	1339 607
CS12K6E-PFV	1285 583	1310 594	1364 619	1339 607
CS12K6E-TF5	1249 567	- -	- -	1303 591
CS14K6E-PFJ	1321 599	1346 611	1400 635	1375 624

MULTIPLE SINGLE PACK PACKAGING AND SHIPPING INFORMATION

Weight (pounds/kilograms) of a pallet of 18 single pack cartons placed on a wooden skid, overpacked with a protective shroud, and banded. Multipack dimensions (cube) are 48.5 x 44 x 46 inches (56.8 FT³), 123.2 x 111.8 x 116.8 centimeters (1.61 m³).

MODEL	NO CAPACITORS, RELAY OR VALVES	RUN CAPACITOR, START CAPACITOR, AND RELAY	RUN CAPACITOR, START CAPACITOR, RELAY, AND SERVICE VALVES	SERVICE VALVES ONLY
CS14K6E-PFV	1321	1346	1400	1375
	599	611	635	624
CS14K6E-TF5	1267	-	-	1321
	575	-	-	599
CS14K6E-TFD	1267	-	-	1321
	575	-	-	599
CS17K6E-PFV	1339	1364	1418	1393
	607	619	643	632
CS18K6E-PFJ	1339	1364	1418	1393
	607	619	643	632
CS18K6E-PFV	1339	1364	1418	1393
	607	619	643	632
CS18K6E-TF5	1303	-	-	1357
	591	-	-	616
CS18K6E-TFD	1303	-	-	1357
	591	-	-	616
CS20K6E-PFV	1375	1400	1454	1429
	624	635	660	648
CS20K6E-PFZ	1375	1400	1454	1429
	624	635	660	648
CS20K6E-TF5	1339	-	-	1393
	607	-	-	632
CS20K6E-TFD	1339	-	-	1393
	607	-	-	632
CS24K6E-PFV	1447	1472	1526	1501
	656	668	692	681
CS24K6E-PFZ	1447	1472	1526	1501
	656	668	692	681
CS24K6E-TF5	1447	-	-	1501
	656	-	-	681
CS27K6E-PFV	1465	1490	1544	1519
	665	676	700	689
CS27K6E-PFZ	1465	1490	1544	1519
	665	676	700	689
CS27K6E-TF5	1447	-	-	1501
	656	-	-	681
CS27K6E-TFD	1447	-	-	1501
	656	-	-	681
CS33K6E-PFV	1465	1490	1544	1519
	665	676	700	689
CS33K6E-TF5	1447	-	-	1501
	656	-	-	681
CS33K6E-TFD	1447	-	-	1501
	656	-	-	681

SINGLE PACK PACKAGING AND SHIPPING INFORMATION

For your domestic shipments of 1 single pack, the box dimensions (cube) are 14.5 x 14.5 x 20.5 inches (2.5 FT³), 36.8 x 36.8 x 52.1 centimeters (0.07m³), and the weights (pounds/kilograms), with accessories noted, are shown below.

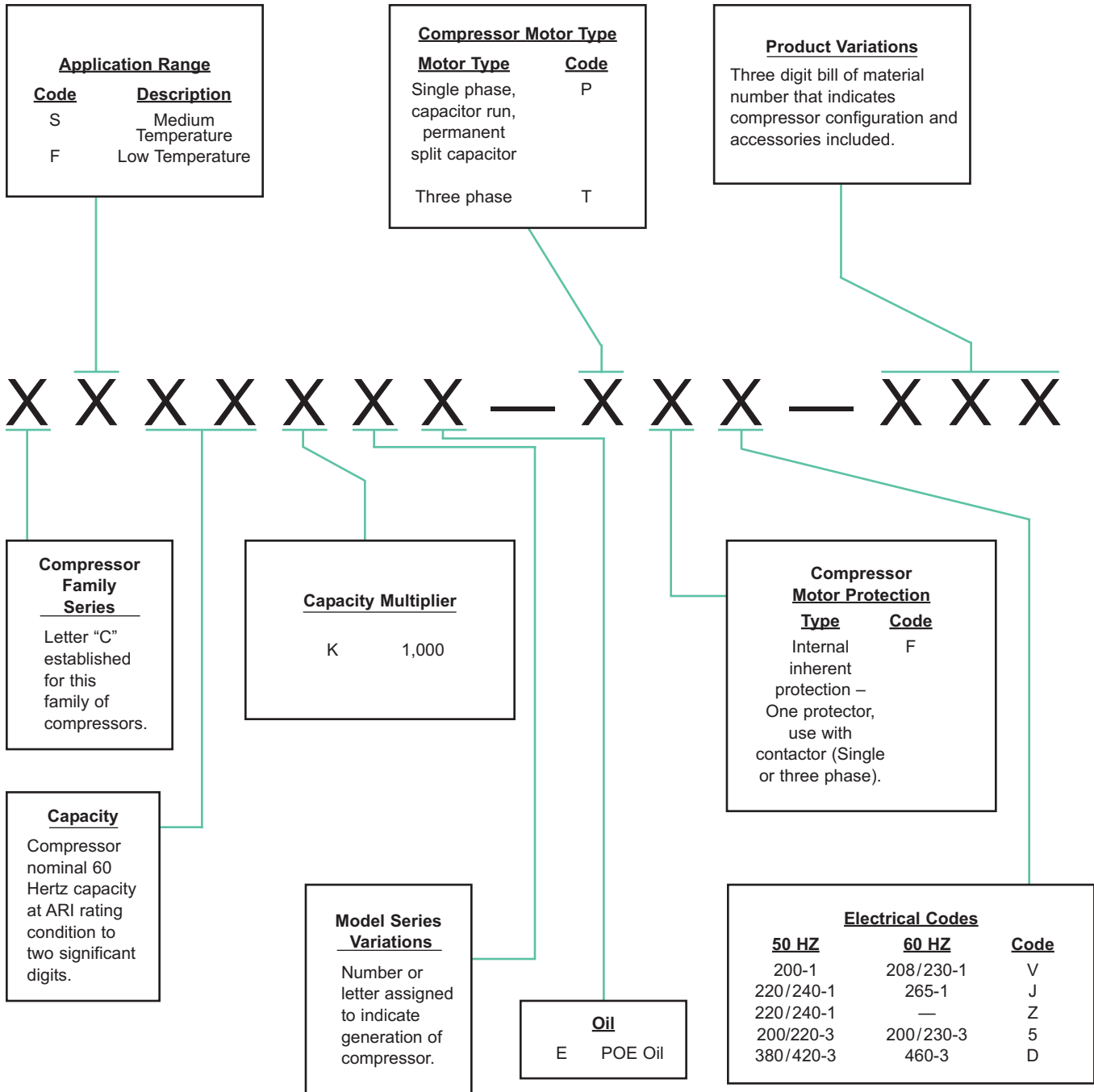
MODEL	NO CAPACITORS, RELAY OR VALVES	RUN CAPACITOR, START CAPACITOR, AND RELAY	RUN CAPACITOR, START CAPACITOR, RELAY, AND SERVICE VALVES	SERVICE VALVES ONLY
CF04K6E-PFV	72	73.5	76.5	75
	32.7	33.3	34.7	34.0
CF04K6E-TF5	70	-	-	73
	31.8	-	-	33.1
CF04K6E-TFD	70	-	-	73
	31.8	-	-	33.1
CF06K6E-PFV	72	73.5	76.5	75
	32.7	33.3	34.7	34.0
CF06K6E-TF5	70	-	-	73
	31.8	-	-	33.1
CF06K6E-TFD	70	-	-	73
	31.8	-	-	33.1
CF09K6E-PFV	75	76.5	79.5	78
	34.0	34.7	36.1	35.4
CF09K6E-TF5	73	-	-	76
	33.1	-	-	34.5
CF09K6E-TFD	73	-	-	76
	33.1	-	-	34.5
CF12K6E-PFV	77	78.5	81.5	80
	34.9	35.6	37.0	36.3
CF12K6E-TF5	75	-	-	78
	34.0	-	-	35.4
CF12K6E-TFD	75	-	-	78
	34.0	-	-	35.4
CS08KQE-PFV	68	69.5	72.5	71
	30.8	31.5	32.9	32.2
CS08KQE-PFZ	67	68.5	71.5	70
	30.4	31.1	32.4	31.8
CS10K6E-PFJ	68	69.5	72.5	71
	30.8	31.5	32.9	32.2
CS10K6E-PFV	68	69.5	72.5	71
	30.8	31.5	32.9	32.2
CS10K6E-TF5	66	-	-	69
	29.9	-	-	31.3
CS10K6E-TFD	66	-	-	69
	29.9	-	-	31.3
CS12K6E-PFJ	68	69.5	72.5	71
	30.8	31.5	32.9	32.2
CS12K6E-PFV	68	69.5	72.5	71
	30.8	31.5	32.9	32.2
CS12K6E-TF5	66	-	-	69
	29.9	-	-	31.3
CS14K6E-PFJ	70	71.5	74.5	73
	31.8	32.4	33.8	33.1

SINGLE PACK PACKAGING AND SHIPPING INFORMATION

For your domestic shipments of 1 single pack, the box dimensions (cube) are 14.5 x 14.5 x 20.5 inches (2.5 FT³), 36.8 x 36.8 x 52.1 centimeters (0.07m³), and the weights (pounds/kilograms), with accessories noted, are shown below.

MODEL	NO CAPACITORS, RELAY OR VALVES	RUN CAPACITOR, START CAPACITOR, AND RELAY	RUN CAPACITOR, START CAPACITOR, RELAY, AND SERVICE VALVES	SERVICE VALVES ONLY
CS14K6E-PFV	70	71.5	74.5	73
	31.8	32.4	33.8	33.1
CS14K6E-TF5	67	-	-	70
	30.4	-	-	31.8
CS14K6E-TFD	67	-	-	70
	30.4	-	-	31.8
CS17K6E-PFV	71	72.5	75.5	74
	32.2	32.9	34.2	33.6
CS18K6E-PFJ	71	72.5	75.5	74
	32.2	32.9	34.2	33.6
CS18K6E-PFV	71	72.5	75.5	74
	32.2	32.9	34.2	33.6
CS18K6E-TF5	69	-	-	72
	31.3	-	-	32.7
CS18K6E-TFD	69	-	-	72
	31.3	-	-	32.7
CS20K6E-PFV	73	74.5	77.5	76
	33.1	33.8	35.2	34.5
CS20K6E-PFZ	73	74.5	77.5	76
	33.1	33.8	35.2	34.5
CS20K6E-TF5	71	-	-	74
	32.2	-	-	33.6
CS20K6E-TFD	71	-	-	74
	32.2	-	-	33.6
CS24K6E-PFV	77	78.5	81.5	80
	34.9	35.6	37.0	36.3
CS24K6E-PFZ	77	78.5	81.5	80
	34.9	35.6	37.0	36.3
CS24K6E-TF5	77	-	-	80
	34.9	-	-	36.3
CS27K6E-PFV	78	79.5	82.5	81
	35.4	36.1	37.4	36.7
CS27K6E-PFZ	78	79.5	82.5	81
	35.4	36.1	37.4	36.7
CS27K6E-TF5	77	-	-	80
	34.9	-	-	36.3
CS27K6E-TFD	77	-	-	80
	34.9	-	-	36.3
CS33K6E-PFV	78	79.5	82.5	81
	35.4	36.1	37.4	36.7
CS33K6E-TF5	77	-	-	80
	34.9	-	-	36.3
CS33K6E-TFD	77	-	-	80
	34.9	-	-	36.3

MODEL NUMBER NOMENCLATURE



COPELAND EMPLOYEES AWAIT AT THESE WORLDWIDE LOCATIONS TO SERVE YOU

MANUFACTURING LOCATIONS

SIDNEY, OHIO U.S.A.
SHELBY, NORTH CAROLINA U.S.A.
RUSHVILLE, INDIANA U.S.A.
HARTSELLE, ALABAMA U.S.A.
LEBANON, MISSOURI U.S.A.
AVA, MISSOURI U.S.A.
BRANTFORD, ONTARIO CANADA
REYNOSA, MEXICO
SHENYANG, CHINA
SUZHOU, CHINA
RAYONG, THAILAND
KARAD, INDIA
ATIT, INDIA
KOLIN, CZECH REPUBLIC
BERLIN, GERMANY
WELKENRAEDT, BELGIUM
THATCHAM, UNITED KINGDOM
COOKSTOWN, NORTHERN IRELAND

TECHNICAL ASSISTANCE LOCATIONS

SIDNEY, OHIO U.S.A.
MIAMI, FLORIDA U.S.A.
BRANTFORD, ONTARIO CANADA
MEXICO CITY, MEXICO
CARACAS, VENEZUELA
SÃO PAULO, BRAZIL
BUENOS AIRES, ARGENTINA
SYDNEY, AUSTRALIA
YOKOHAMA, JAPAN
SEOUL, SOUTH KOREA
TAIPEI, TAIWAN
SHENYANG, CHINA
SHANGHAI, CHINA
BEIJING, CHINA
GUANGZHOU, CHINA
HONG KONG
MANRA, PHILIPPINES
BANGKOK, THAILAND
KUALA LUMPUR, MALAYSIA
KARAD, INDIA
DUBAI, UAE
VAEDERSTAD, SWEDEN
BERLIN, GERMANY
FRANKFURT, GERMANY
SARPNO, ITALY
ECULLY, FRANCE
NUENEN, NETHERLANDS
WELKENRAEDT, BELGIUM
THATCHAM, UNITED KINGDOM
BARCELONA, SPAIN



Emerson Climate Technologies and the Emerson Climate Technologies logo are service marks and trademarks of Emerson Electric Co.
Copeland is a registered trademark of Copeland Corporation.
©2006 Copeland Corporation
Form 2005CC-50
Revised 9/06
Printed in U.S.A.

Copeland[®]

COPELAND CORPORATION, 1675 W. CAMPBELL ROAD
SIDNEY, OHIO 45365-0669 USA

Telephone 937-498-3011

Telefax 937-498-3793