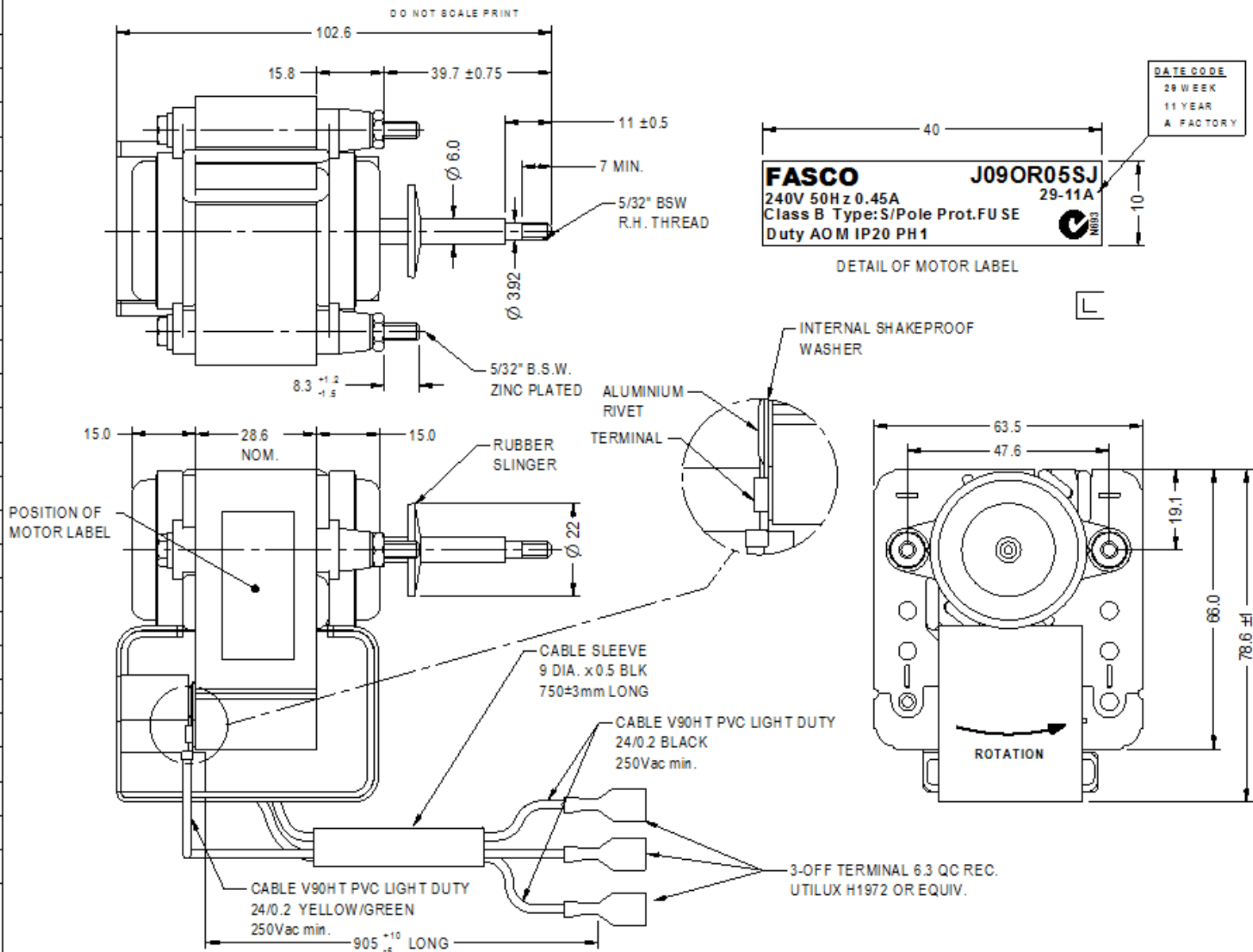


**NOTE:** FASCO AUSTRALIA IS HAPPY TO PROVIDE TECHNICAL ASSISTANCE TO OUR CUSTOMERS IN MANY AREAS. HOWEVER, SINCE FASCO AUSTRALIA IS NOT AWARE OF ALL DATA CONCERNING THE USE AND APPLICATION OF THIS MOTOR, THE SUITABILITY OF THE MOTOR FOR THE APPLICATION MUST BE DETERMINED BY AND IS THE RESPONSIBILITY OF THE CUSTOMER.



### MOTOR SPECIFICATION

CUSTOMER	----			
CUSTOMER P/N	----			
QR No.	----	CAPACITOR	u1/v	
POWER OUTPUT	12.2W	START	----	
MOTOR TYPE	S/POLE	RUN	----	
SUPPLY	VOLTS	HERTZ	PHASE	POLES
	240	50	1	2
ENCLOSURE	CLIP ON BOBBIN			
SPEED (RPM) AT RATED OUTPUT	2600±100	WINDING TYPE	SINGLE/SP	
ROTATION	ANTI-CLOCKWISE			
INSULATION CLASS	B	DUTY	AOM	
THERMAL PROTECTION RATED CURRENT	THERMAL FUSE			
APPLICATION	0.45A			
MOUNTING	REFRIGERATION MOTOR			
BEARING & LUBRICATION	SCREWS			
SUPPLY LEAD	626 VVMC3E MARUTEMP			
	COLOUR	AS SHOWN		
	LENGTH	AS SHOWN		
	TERMINALS	AS SHOWN		
<input type="checkbox"/> MULTI STRAND <input checked="" type="checkbox"/> SINGLE CORE	Q.O. HOUSING	----		
	EARTH PROVISION	AS SHOWN		
BASIC BUILD SPECIFICATION	----			
PERFORMANCE SPECIFICATION	SPM53006-01			
SHAFT MATERIAL	S.S. 303			
CONNECTION DIAGRAM	----	PAINT SPEC	CLEAR VARNISH	



**SPECIAL REQUIREMENTS**

PACKAGING  
 14 - MOTORS PER BOX.  
 ADDITIONAL PROTECTION :-  
 CORROSION INHIBITING PAPER IN EACH BOX

**PALLET AND BOX LABELS TO HAVE:-**  
 FASCO NUMBER  
 DATE OF MANUFACTURE  
 QUANTITY  
 WEIGHT

PACK PARTS IN PLASTIC BAG AND ATTACH TO MOTOR LEAD.  
 3 - NUT 5/32" B.S.W. 5H 0" A/F HEX ZINC PLATED  
 2 - 4 DIA INTERNAL SHAKEPROOF WASHER ZINC PLATED.  
 1 - FLAT WASHER 1 X 142 X 1.2 ZINC PLATED

**DIMENSIONS IN mm UNLESS OTHERWISE SPECIFIED**

GENERAL TOLERANCES	
LINEAR	X = ± 0.10
	XX = ± 0.25
	XXX = ± 0.51
ANGULAR	X = ± 1°
	XX = ± 0.5°

SURFACE FINISHES MAX 3.0 MICROMETRES SYMBOLS PER A.S. 1100

This drawing remains the property of Fasco Australia Pty. Ltd. No part or parts of this drawing may be reproduced without written permission.

MAT'L	
FINISH	
DRAWN	MURPETTR 19/07/11
CHECKED	SALOHANT 09/11/11
RELEASED	SALOHANT 09/11/11
SCALE	1:1

**FASCO AUSTRALIA**  
 ASB 78 000 010 944  
 1/14 Monterey Road Dandenong Victoria

FRAME	.MOTOR	
STATUS	R	
SHEET	DWG. NO.	J09OR05SJ
		240V 50HZ 1SP ACW
		A

M/C 003840  
 B/F MURPETTR  
 Date: 28/07/11  
 M/C FIRST SOLID EDGE DRAWING  
 No. 78.6