

NOTE: FASCO AUSTRALIA IS HAPPY TO PROVIDE TECHNICAL ASSISTANCE TO OUR CUSTOMERS IN MANY AREAS. HOWEVER, SINCE FASCO AUSTRALIA IS NOT AWARE OF ALL DATA CONCERNING THE USE AND APPLICATION OF THIS MOTOR, THE SUITABILITY OF THE MOTOR FOR THE APPLICATION MUST BE DETERMINED BY AND IS THE RESPONSIBILITY OF THE CUSTOMER.



MOTOR SPECIFICATION

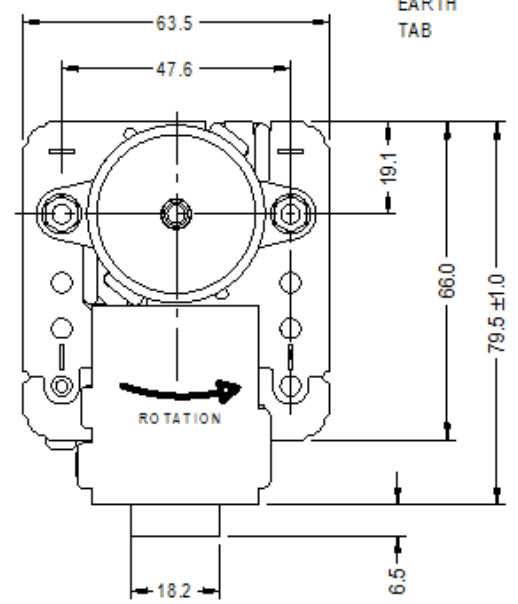
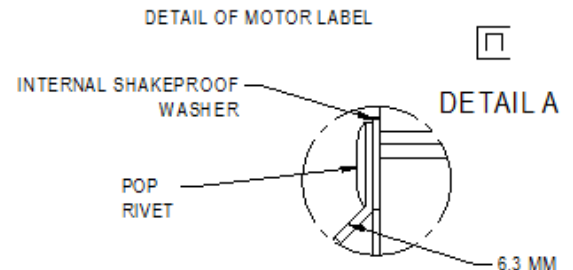
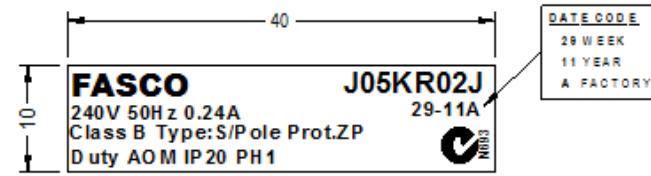
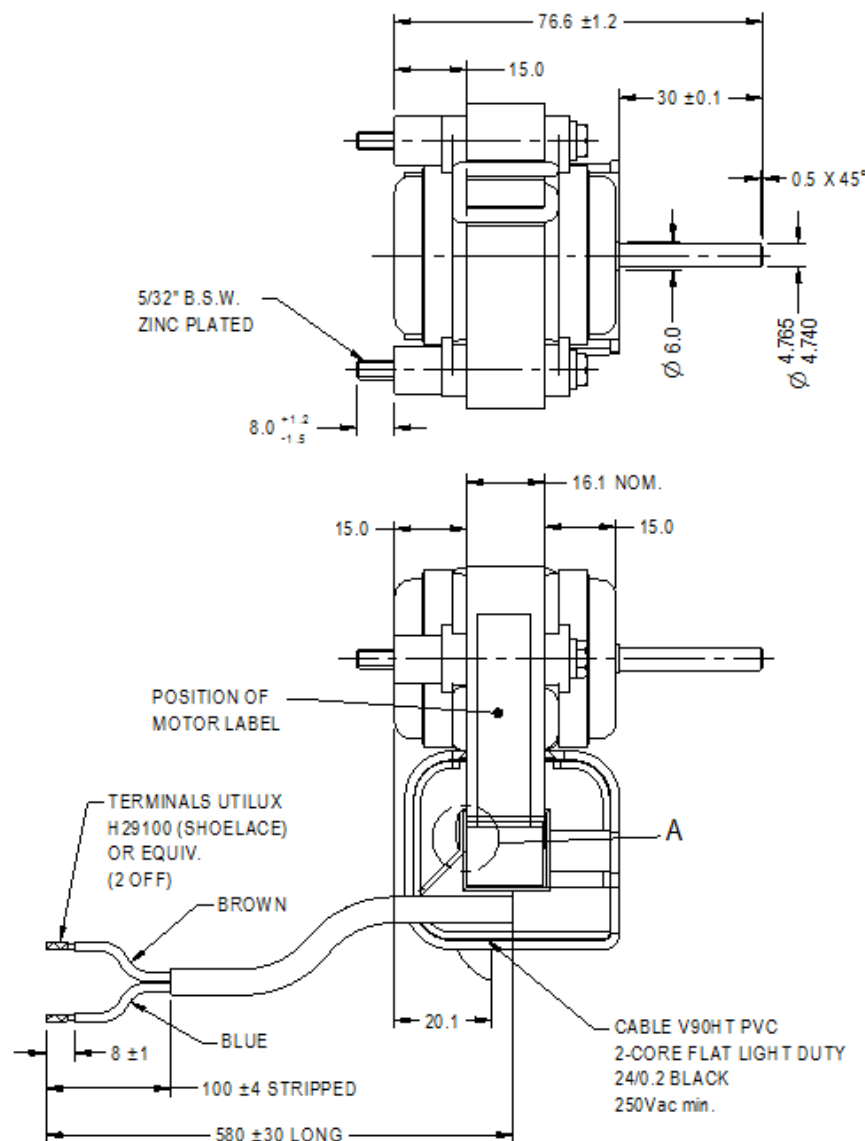
CUSTOMER	VARIOUS			
CUSTOMER P/N	-----			
QR No.	---	CAPACITOR	u1/v	
POWER OUTPUT	6.5W	START	---	
MOTOR TYPE	S/POLE	RUN	---	
SUPPLY	VOLTS	HERTZ	PHASE	POLES
	240	50	1	2
ENCLOSURE	CLIP ON BOBBIN			
SPEED (RPM) AT RATED OUTPUT	2200±100	WINDING TYPE	SINGLE SP.	
ROTATION	ANTI-CLOCKWISE			
INSULATION CLASS	B	DUTY	AOM	
THERMAL PROTECTION RATED CURRENT	0.24A			
APPLICATION				
MOUNTING	BOBBIN & SCREWS			
BEARING & LUBRICATION	626ZZ 140°C GREASE			
SUPPLY LEAD	COLOUR	BLACK		
	LENGTH	AS SHOWN		
	TERMINALS	AS SHOWN		
	G.O. HOUSING	---		
<input checked="" type="checkbox"/> MULTI STRAND				
<input type="checkbox"/> SINGLE CORE				
EARTH PROVISION	EARTH TAB			
BASIC BUILD SPECIFICATION	-----			
PERFORMANCE SPECIFICATION	SPM53004-02			
SHAFT MATERIAL	MILD STEEL			
CONNECTION DIAGRAM	---	PAINT SPEC	CLEAR VARNISH	

SPECIAL REQUIREMENTS

PACKAGING
20 - MOTORS PER BOX
ADDITIONAL PROTECTION :-
CORROSION INHIBITING PAPER IN EACH BOX
PALLET AND BOX LABELS TO HAVE:-
FASCO NUMBER
DATE OF MANUFACTURE
QUANTITY
WEIGHT

PACK PARTS IN PLASTIC BAG AND ATTACH TO MOTOR LEAD.
2 - NUT 5/32" B.S.W. .510" A/F HEX ZINC PLATED
2 - 4 DIA INTERNAL SHAKEPROOF WASHER ZINC PLATED.

DO NOT SCALE PRINT



DIMENSIONS IN mm UNLESS OTHERWISE SPECIFIED
GENERAL TOLERANCES
LINEAR X = ± 0.10
XX = ± 0.25
XXX = ± 0.1
ANGULAR X = ± 1°
XX = ± 0.5°
SURFACE FINISH MAX 0.8 MICROMETRES
SYMBOLS PER A.S. 1100

This drawing remains the property of Fasco Australia Pty. Ltd.
No part or parts of this drawing may be reproduced without
written permission.

MATERIAL		
FINISH		
DRAWN	MURPETTR	02/08/11
CHECKED	BALCHANT	29/11/11
RELEASED	BALCHANT	29/11/11
SCALE	NTS	



FRAME	.MOTOR	
STATUS	R	
SHEET	DWG. NO. J05KR02J	
SCALE	A3	REV/ISSN A

M/C 003653
 D/F MURPETTR
 Date: 29/11/11
 M/C FIRST SOLID EDGE DRAWING
 Number: