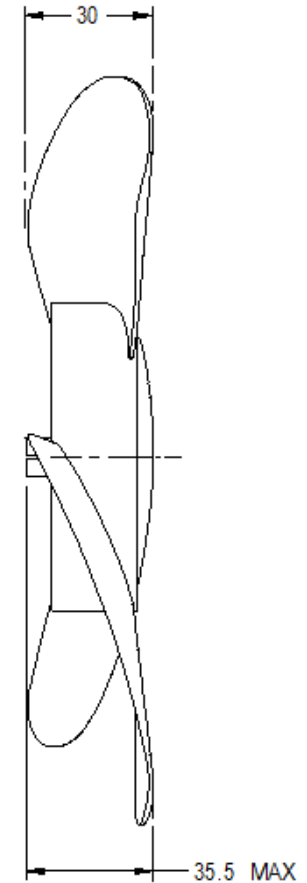
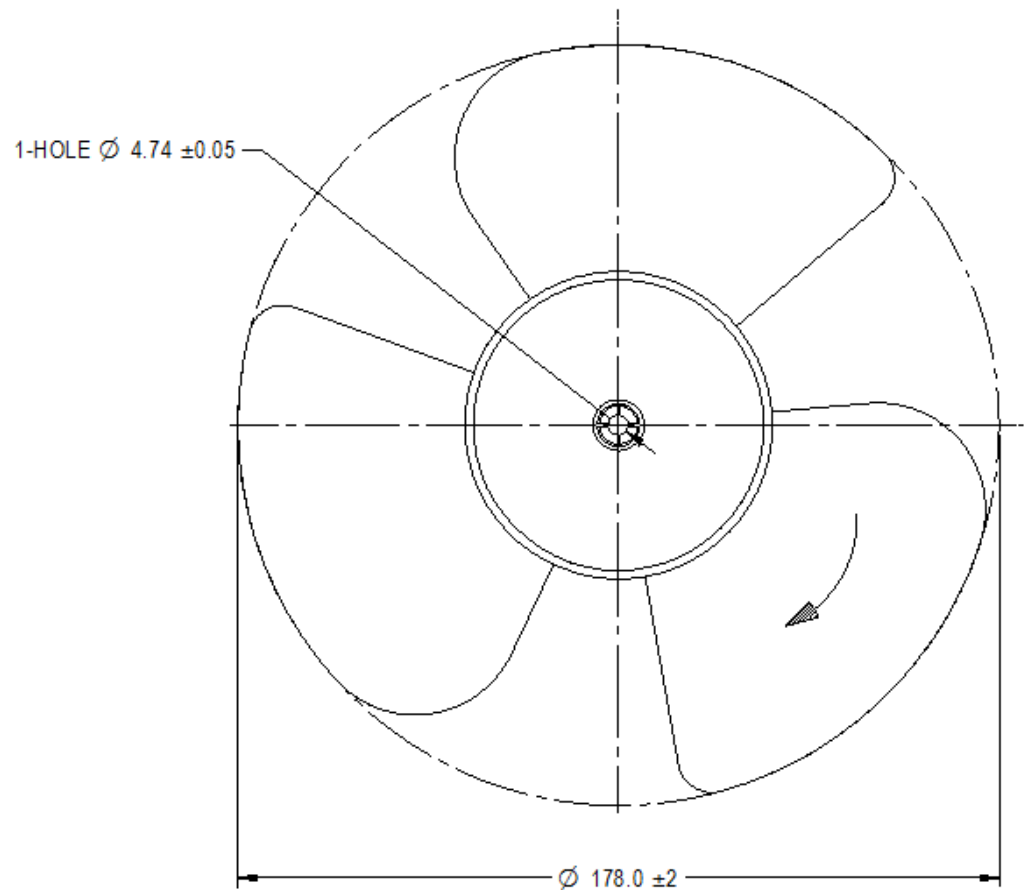
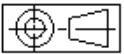


DEBURR & BREAK ALL SHARP EDGES
UNLESS SPECIFIED

DO NOT SCALE PRINT



NOTE:-
PACK 50 - BLADES OF (P/N.1401) BLADE 178/4.7 3P NY
INTO BOX (P/N.101223019B) BOX 410/410/280 BULK#3 R1-3
USING 2 - INSERTS TO SEPARATE BLADES
(P/N.20101307B) INSERT 200 MIDDY 1SLX500X270X4.
ALSO PLACE INTO PLASTIC BAG
(P/N.102221001B) BAG PLASTIC 150 X 230 CLEAR
50 - CLIPS (P/N.203011120B) CLIP HOSE 11.5ID X 9.5.

Pitch Angle 16°
Max. axial run out ± 2mm
Max. out of balance 0.2 grms

M/C No. 001747 BY: MURPHET Date: 28-11-02 M/C Name: ADDED PACKING NOTE TO THIS DRAWING

DIMENSIONS IN MM UNLESS OTHERWISE SPECIFIED
GENERAL TOLERANCES
LINEAR: X = ± 0.10
 XX = ± 0.25
 XXX = ± 0.5
ANGULAR: X = ± 5'
 XX = ± 10'
SURFACE FINISHES IN MICROMETRES: MAX 3.0
SYMBOLS - AS 1100
This drawing remains the property of Fasco Australia Pty. Ltd. No part of this drawing may be reproduced without written permission.

MATL	PLASTIC NYLON 6/6 F/R NAT	
FINISH	WHITE	
DRAWN	SERANICZ	19-07-00
CHECKED	ALLEN	29-11-02
RELEASED	ALLEN	29-11-02
SCALE	1 : 1	



FRAME	
STATUS	R
SHEET	

BLADE 178/4.7 3P NY WITH CLIP		REV/SON
DWG. NO.	FBP1782NY	C