

DELTA PACK 80x60

PISTON PUPM – SYSTEM



2014 NOVELTY – Avant première

The new Delta Pack 80x60 mm adopts softened lines, in a new colour, cream. Even easier to fit, in addition to the Si-10 incorporating the latest Sauermann technology with its proven reliability, the pack includes a kit of elements designed to accompany a very silent pump.

ADVANTAGES



● Attractive

- **Rounded** lines for elbow – **Standard** duct profile.
- Colour: RAL 9001. (**Cream**)
- **'Flush' fitting of all parts**, with discreet clip tabs.
- Mates with the wall-mounted air-conditioning unit via a rubber gasket that **fits the side wall perfectly**.

● Silent installation

- Silent pump operation: < **23 dBA**.
- Elbows fitted with **'Exclusive High Energy Absorbing Foam'**, allowing fitting on movable office partitions as well.
- The discharge tube is insulated **right up to the false ceiling**. (Anti-vibration and anti-condensation)

● Easy installation

- **Ready-to-fit** kit including all accessories useful for fitting.
- **Intuitive elbow positioning**.
- Plastic parts are easy to adjust **irrespective of wall type** (brick, concrete, etc.).
- **12% more space for running** the refrigeration connection pipes. Max. recommended 3/8" – 5/8" insulated.
- **The anti-siphon system eliminates the constraints** on connecting up the discharge tube.

● Rapid pump maintenance

- **Unpluggable electrical connection**
- **Transparent, removable tank**

● Proven reliability

- **Sauermann Inside** : Small particles are allowed to pass –
- High flow, **shorter running time**, and longer life.
- **Anti-siphon**: Combines mechanical and gravity discharge

KIT CONTENT

- Si-10 one-piece piston pump with:
 - Built-in detector
 - Transparent PVC tube int. Ø 6mm – L: 1 m, foam-insulated over 800 mm, fitted with an anti-siphon device.
- 1.5 m removable cable: 2 supply wires, 2 safety contact wires.
- 2-part elbow (Base and cover).
- 750 mm duct.
- Ceiling fitting (covers hole in false ceiling)
- Elbow/Duct joiner.
- Rubber Elbow/Split joiner.
- 500 mm flexible hose - int. Ø 15 mm (connects to split).
- Vent pipe
- 6 screws and plugs for fixing duct and elbow.
- 2 pipe clamps.

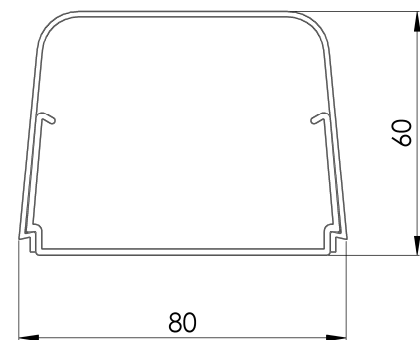
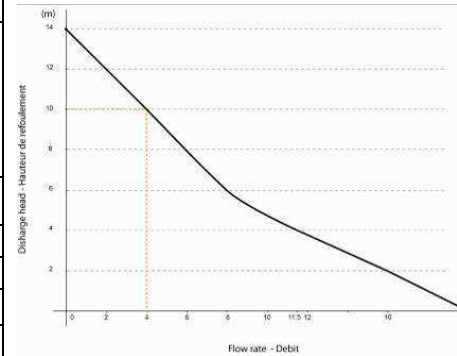
APPLICATIONS

Air-conditioning wall unit with a refrigerator connexion (Ø max de 3/8" – 5/8" insulated)



TECHNICAL CHARACTERISTICS

Max. flow rate	20 l/h
Max. discharge head	10 m (4l/h)
Max pressure	14 m (0l/h)
Sound level at 3.3ft (1m) according to EN ISO 3744 (Measured at LNE lab, pump operating with water, out of application)	TBD
Sound level at 3.3ft (1m)	≤ 23 dBA
Mains supply	230 V ~ 50/60 Hz - 14 W
Isolation class	<input type="checkbox"/> (double isolation)
Detection levels	ON: 18mm, OFF: 13mm, AL: 21mm
Safety switch	NF 8 A resistive - 250 V
Thermal protection (overheating)	195°F - 90°C (automatic restarting)
Operating Cycle	30%: 3s ON – 7s OFF
Protection	IPX4
Colour	RAL 9001 - Cream
Elbow dimensions	130 x 130 x 60 mm
Duct dimensions	80 x 60 mm
Tubing	Ø max : 3/8" – 5/8" isolé (max. 13KW)
Safety standards	CE
RoHS directive	Conform
DEEE directive	Conform
Packaging	1.55 kg – L763 x W225 x H62 mm
Masterpack	10 pieces



ACTUAL FLOW RATES (l/h)

		Total tube length Ø int. 6 mm - (A)			
	Discharge head (B)	5 m	10 m	20 m	30 m
	0 m	20	19	18	17
	2 m	16	15	14	13,5
	4 m	11,5	11	10,5	10
	6 m		8,5	7,5	6,5
	8 m		6	5	4
	10 m		4	3,5	2,5

RECOMMENDED ACCESSORIES



ACC 00105, ACC 00150
Clear PVC hose, Øint. 6mm (1/4")
ACC 00105 : 5m
ACC 00150 : 50m



ACC 00205
6 self-sealing
fittings for hose
Øint. 1/4" (6mm)