

## Field Devices

New Linear Zone Valves [ VZ\*08\* and VZ\*19\* ]  
and Zone Valve Actuators [ MZ140\* ]



### New Linear Zone Valve Program

We are pleased to announce the release of a new program of linear zone valves and actuators to replace the current VZ\*8\*, VZ\*9\* valves and MZ88\* / MZ89\* actuators

This comprehensive program covers the same size and scope as the current products, comprising of externally threaded and compression ended versions, models for thermal actuators and models for electro-motoric actuators.

The new range has an innovative composite design and construction delivering improved flow performance at a competitive price.

The Thermal Actuator program has been simplified with one type now covering all valve models, A re-branded dark grey 140N variant will replace the old black 90N and blue 140N types. The thermal actuator program is now available in 24V on/off, 230V on/off and 0-10V modulating.

The electro-motoric MZ20A and MZ20B actuators designed to fit the original VZ\*9 valves will also perfectly drive the new VZ\*19\* valves without any product modifications. Literature supporting these actuators has been updated.

### Type Designations and Part Numbers

These new valves and thermal actuators adopt the global valve and actuator 'Type Designation', this designation details product features such as flow characterization, actuator fitment, end connection etc. Type Designation guide, doc 02-00047 has been updated accordingly. Part Numbers are also descriptive and follow the format of the designation. There is no type designation or part number change for the MZ20A or MZ20B actuators

### PRODUCT AT A GLANCE

#### Product Announcement Number

PA-00156

#### Type Designation and Models,

2 way, 3 way and 4 way flow patterns in:

- VZ\*08E – External threads, Thermal Control
- VZ\*08C – Compression, Thermal Control
- VZ\*19E – External Threads, Motoric Control
- VZ\*19C – Compression, Motoric Control
- MZ140-24T – 24V On/Off Actuator
- MZ140-230T – 230V On/Off Actuator
- MZ140-24M – 24V 0-10V Actuator

#### Literature

- Data sheets:
  - 03-00258.. (VZ\*08\* Thermal Valves)
  - 03-00259.. (VZ\*19\* Motoric Valves)
  - 03-00260.. (MZ140-\*T On/Off Actuator)
  - 03-00261.. (MZ140-24M Modulating Act.)
- Instruction Notes
- Cross reference list
- Introductory Presentation
- CE declarations
- Type designation guide, 02-00047
- Catalogue, update : ValCat0511
- Selection Guide

#### Sales Benefits

- Improved flow curves
- Comprehensive program
- Large flow capacities
- Simple product selection
- Multipacks for large project sales
- Fully interchangeable with old range

#### Pricing

Details on the pricing are available to internal pricing administrators on the pricing SharePoint site, PA-00156 refers

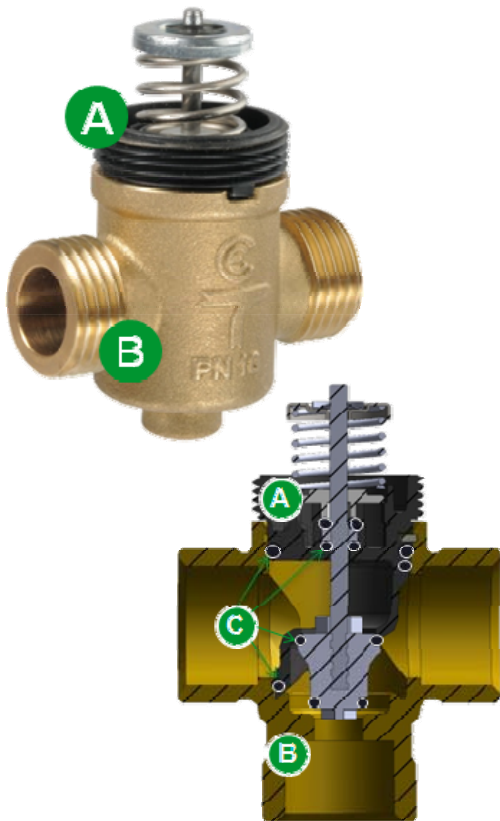
### Construction

The VZ\*\*\* Valves utilize a PPS Glass fiber reinforced composite cartridge insert. The PPS material is the same as used in the current VZ\*8 and VZ\*9 zone valves they replace, this material has been proven in the field over many years. Life testing has also been evaluated far beyond the normal testing regime for valves without any resulting concern.

Careful design over the cartridge and plug has provided improved flow curves, notably on the smaller sizes. In addition, the new cartridge design has a reduction in the number of parts, thus improving reliability whilst retaining a competitive cost level.

CW617N Bronze is used in the body which has a low lead content and is RoHS approved.

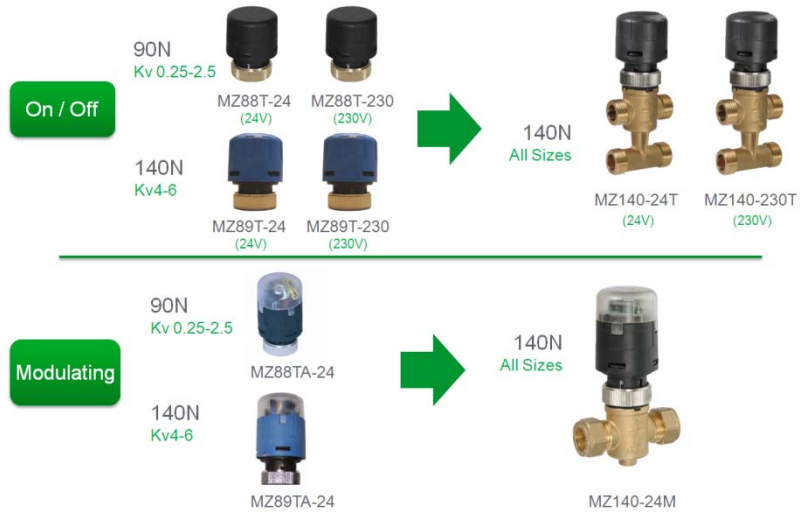
EPDM O'rings are used for body and stem sealing, the current valves use a FKM (Viton) compound. EPDM has improved long term sealing properties on sustained hot water solutions and stronger chemical resistance against many glycol solutions.



- A: PPS material in cartridge and valve bonnet
- B: CW617N bronze body
- C: EPDM seals

### Product Simplification

Ordering of Thermal Actuators for the VZ\*08\* types has been simplified by providing only one force of thermal actuator to cover the whole range.



### Cross Reference

Cross reference lists down to part number level between current and new products are detailed at the end of this PA and available in an excel file within the launch material.

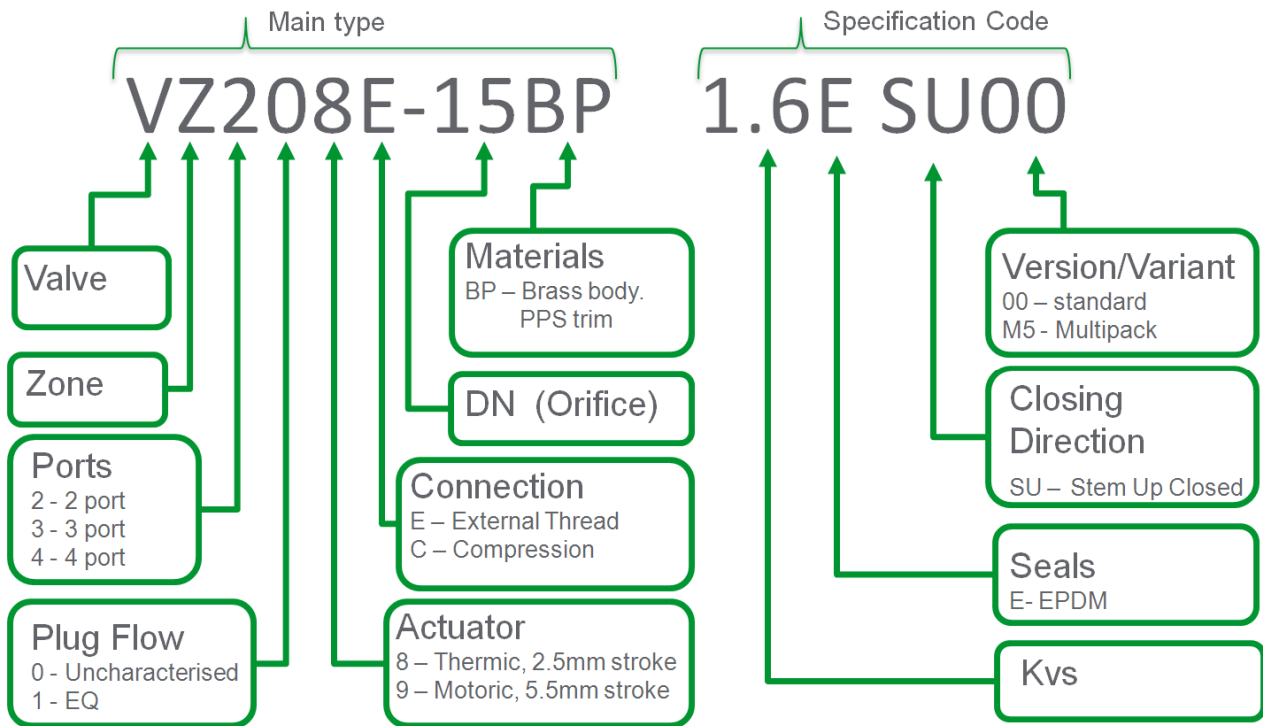
Cross reference lists are also available between the VZ\*2 range of zone valves and also against Honeywell and Siemens zone valves.

Type designation cross reference table:

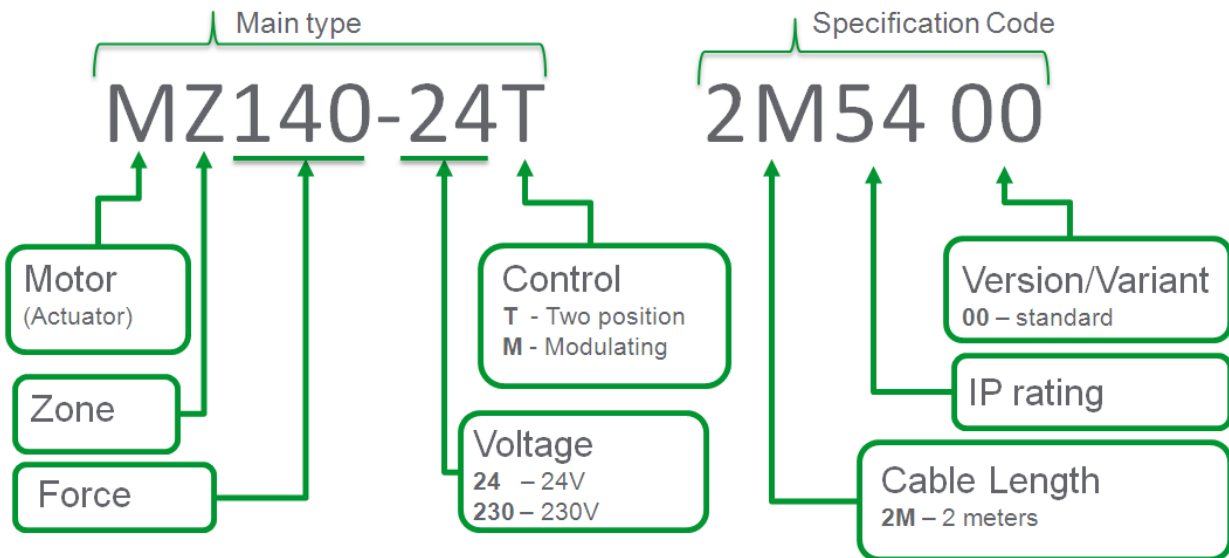
	Current	New
<b>Motoric Valves – 5.5mm stroke</b>		
2 way, Ext. Threads	<b>VZ29</b>	<b>VZ219E</b>
3 way, External threads	<b>VZ39</b>	<b>VZ319E</b>
3 way, 4 port, External thread	<b>VZ49</b>	<b>VZ419E</b>
2 way, Compression ends	<b>VZ29C</b>	<b>VZ219C</b>
3 way, Compression ends	<b>VZ39C</b>	<b>VZ319C</b>
3 way, 4 port, comp. ends	<b>VZ49C</b>	<b>VZ419C</b>
<b>Motoric Valve Actuators (no change)</b>		
3P floating	<b>MZ20B</b>	<b>MZ20B</b>
Modulating, multi-voltage	<b>MZ20A-R</b>	<b>MZ20A-R</b>
Modulating, 0-10V only	<b>MZ20A</b>	<b>MZ20A</b>
<b>Thermic Valves – 2.5mm stroke</b>		
2 way, Ext. Threads	<b>VZ28</b>	<b>VZ208E</b>
3 way, External threads	<b>VZ38</b>	<b>VZ308E</b>
3 way, 4 port, External thread	<b>VZ48</b>	<b>VZ408E</b>
2 way, Compression ends	<b>VZ28C</b>	<b>VZ208C</b>
3 way, Compression ends	<b>VZ38C</b>	<b>VZ308C</b>
3 way, 4 port, comp. ends	<b>VZ48C</b>	<b>VZ408C</b>
<b>Thermal Actuators</b>		
90N, On/Off (24V and 230V)	<b>MZ88T</b>	-
140N, On/Off (24V and 230V)	<b>MZ89T</b>	<b>MZ140-*T</b>
90N, Modulating, 24V	<b>MZ88TA</b>	-
140N, Modulating, 24V	<b>MZ89TA</b>	<b>MZ140-24M</b>

[ Product Announcement ] PA-00156 Linear Zone Valves

Type Designation key - Valve bodies



Type Designation key – Thermal Actuators



**Part Numbers** - Valve bodies

VZ208E-15BP03

As Main Type Designation

Version / Variant Key

**Kvs coding**

#1 - 0.25 Kvs  
#2 - 0.4 Kvs  
#3 - 0.6 Kvs  
#4 - 1.0 Kvs  
#5 - 1.6 Kvs  
#6 - 2.0 Kvs  
#7 - 2.5 Kvs  
#8 - 4.0 Kvs  
#9 - 6.3 Kvs

**Multipacks**

(Compression types only)

0# - Single Pack  
5# - Multipack

**Part Numbers** – Thermal Actuators

MZ140-24T

As Main Type Designation

**Part Numbers** – Motoric Actuators

Designation and the Part numbers for the MZ20A and MZ20B remain the same and unchanged

**Availability**

Products will be available from early July 2011.

The new zone valves will be supplied as stocks allow and as stocks of the old range are exhausted

**Training**

A PowerPoint file is provided in the launch material for a good overview of the product range.

**Further Information**

For further information please contact Product Support Services.

Malmö: +46 40 38 69 00

London: +44 1628 741147

[Product.support@buildings.schneider-electric.com](mailto:Product.support@buildings.schneider-electric.com)

For any comments on the product range, please contact the Product Marketing Manager:

Simon Firth.

Tel: +44 1628 741076

Email: [simon.firth@schneider-electric.com](mailto:simon.firth@schneider-electric.com)

Cross Reference – Part Number

Old VZ*9	New VZ*19E
Mod. Ext. Threads	
721-0531-000	VZ219E-15BP01
721-0532-000	VZ219E-15BP02
721-0533-000	VZ219E-15BP03
721-0534-000	VZ219E-15BP04
721-0535-000	VZ219E-15BP05
721-0536-000	VZ219E-15BP06
721-0537-000	VZ219E-20BP07
721-0538-000	VZ219E-20BP08
721-0539-000	VZ219E-20BP09
731-0531-000	VZ319E-15BP01
731-0532-000	VZ319E-15BP02
731-0533-000	VZ319E-15BP03
731-0534-000	VZ319E-15BP04
731-0535-000	VZ319E-15BP05
731-0536-000	VZ319E-15BP06
731-0537-000	VZ319E-20BP07
731-0538-000	VZ319E-20BP08
731-0539-000	VZ319E-20BP09
741-0531-010	VZ419E-15BP01
741-0532-010	VZ419E-15BP02
741-0533-010	VZ419E-15BP03
741-0534-010	VZ419E-15BP04
741-0535-010	VZ419E-15BP05
741-0536-000	VZ419E-15BP06
741-0537-000	-
741-0537-010	VZ419E-20BP07
741-0538-000	VZ419E-20BP08
741-0539-000	VZ419E-20BP09

Old VZ*8	New VZ*08E
Thermal Ext. Threads	
721-0430-000	VZ208E-15BP01
721-0431-000	VZ208E-15BP02
721-0432-000	VZ208E-15BP03
721-0433-000	VZ208E-15BP04
721-0434-000	VZ208E-15BP05
721-0435-000	VZ208E-20BP07
721-0436-000	VZ208E-20BP08
721-0437-000	VZ208E-20BP09
731-0431-000	VZ308E-15BP01
731-0432-000	VZ308E-15BP02
731-0433-000	VZ308E-15BP03
731-0434-000	VZ308E-15BP04
731-0435-000	VZ308E-15BP05
731-0436-000	VZ308E-20BP07
731-0437-000	VZ308E-20BP08
731-0438-000	VZ308E-20BP09
741-0430-010	VZ408E-15BP01
741-0431-010	VZ408E-15BP02
741-0432-010	VZ408E-15BP03
741-0433-010	VZ408E-15BP04
741-0434-010	VZ408E-15BP05
741-0435-010	VZ408E-20BP07
741-0435-000	-
741-0436-000	VZ408E-20BP08
741-0437-000	VZ408E-20BP09

[ Product Announcement ] PA-00156 Linear Zone Valves

Old VZ*9C	New VZ*19C
Mod. Compression	
721-0551-000	VZ219C-15BP01
721-0552-000	VZ219C-15BP02
721-0553-000	VZ219C-15BP03
721-0554-000	VZ219C-15BP04
721-0555-000	VZ219C-15BP05
721-0556-000	VZ219C-15BP06
721-0557-000	VZ219C-20BP07
731-0551-000	VZ319C-15BP01
731-0552-000	VZ319C-15BP02
731-0553-000	VZ319C-15BP03
731-0554-000	VZ319C-15BP04
731-0555-000	VZ319C-15BP05
731-0556-000	VZ319C-15BP06
731-0557-000	VZ319C-20BP07
741-0551-000	VZ419C-15BP01
741-0552-000	VZ419C-15BP02
741-0553-000	VZ419C-15BP03
741-0554-000	VZ419C-15BP04
741-0555-000	VZ419C-15BP05
741-0556-000	VZ419C-15BP06
741-0557-000	VZ419C-20BP07

Old VZ*9C	New VZ*19C
Mod. Compression multipack	
721-0551-100	VZ219C-15BP51
721-0552-100	VZ219C-15BP52
721-0553-100	VZ219C-15BP53
721-0554-100	VZ219C-15BP54
721-0555-100	VZ219C-15BP55
721-0556-100	VZ219C-15BP56
721-0557-100	VZ219C-20BP57
731-0551-100	VZ319C-15BP51
731-0552-100	VZ319C-15BP52
731-0553-100	VZ319C-15BP53
731-0554-100	VZ319C-15BP54
731-0555-100	VZ319C-15BP55
731-0556-100	VZ319C-15BP56
731-0557-100	VZ319C-20BP57
741-0551-100	VZ419C-15BP51
741-0552-100	VZ419C-15BP52
741-0553-100	VZ419C-15BP53
741-0554-100	VZ419C-15BP54
741-0555-100	VZ419C-15BP55
741-0556-100	VZ419C-15BP56
741-0557-100	VZ419C-20BP57

[ Product Announcement ] PA-00156 Linear Zone Valves

Old VZ*8C	New VZ*08C
Thermal Compression	
721-0450-000	VZ208C-15BP01
721-0451-000	VZ208C-15BP02
721-0452-000	VZ208C-15BP03
721-0453-000	VZ208C-15BP04
721-0454-000	VZ208C-15BP05
721-0455-000	VZ208C-20BP07
731-0451-000	VZ308C-15BP01
731-0452-000	VZ308C-15BP02
731-0453-000	VZ308C-15BP03
731-0454-000	VZ308C-15BP04
731-0455-000	VZ308C-15BP05
731-0456-000	VZ308C-20BP07
741-0450-000	VZ408C-15BP01
741-0451-000	VZ408C-15BP02
741-0452-000	VZ408C-15BP03
741-0453-000	VZ408C-15BP04
741-0454-000	VZ408C-15BP05
741-0455-000	VZ408C-20BP07

Old VZ*8C	New VZ*08C
Thermal Compression multipacks	
721-0450-100	VZ208C-15BP51
721-0451-100	VZ208C-15BP52
721-0452-100	VZ208C-15BP53
721-0453-100	VZ208C-15BP54
721-0454-100	VZ208C-15BP55
721-0455-100	VZ208C-20BP57
731-0451-100	VZ308C-15BP51
731-0452-100	VZ308C-15BP52
731-0453-100	VZ308C-15BP53
731-0454-100	VZ308C-15BP54
731-0455-100	VZ308C-15BP55
731-0456-100	VZ308C-20BP57
741-0450-100	VZ408C-15BP51
741-0451-100	VZ408C-15BP52
741-0452-100	VZ408C-15BP53
741-0453-100	VZ408C-15BP54
741-0454-100	VZ408C-15BP55
741-0455-100	VZ408C-20BP57