



Regulator Systems

ET46

TEMPERATURE CONTROLLER



DESCRIPTION

The ET46 Temperature Controller is a direct replacement for the ET45 and is much smaller in size. The controller is housed in a 4 DIN module 70 x 88 x 62 mm enclosure. It comes with its own DIN rail mount or can be mounted on a standard 35mm DIN mounting rail.

It has a number of new unique features including our universal power supply which enables the controller to operate on 240 or 24vac/dc. The power supply will operate over the range of 18 – 265V AC/DC.

The controller can operate with either 2K or 10K thermistor sensors, DIP switch selectable. The temperature at the thermistor can also be measured at the controller with a voltmeter. An output voltage of 0-5vdc corresponding to 0-50C is available at terminal 6. All our standard remote setpoints will operate with the new controller, again DIP switch selectable.

There are three 0-10vdc analogue outputs available, one reverse acting on terminal 7 and two direct acting on terminals 8 & 9. The analogue outputs are short circuit proof for low voltages. They will even protect against 24vac connected to them. The output will open circuit under fault conditions and will reset when the fault is removed.

The controller has four relay outputs, which are configured as two heat & two cool or as two stage reverse cycle via dip switch settings. Relay 1 is a SPCO contact and Relays 2, 3 & 4 are SPNO contacts. The relays are rated at 5A 250VAC. There are 4 blue relay status LED's on the front panel

DIP SWITCHES

The DIP switches are piano style switches where down is ON and up is OFF. Up is default. The switches numbered from right to left.

Switch 1 – Remote Setpoint

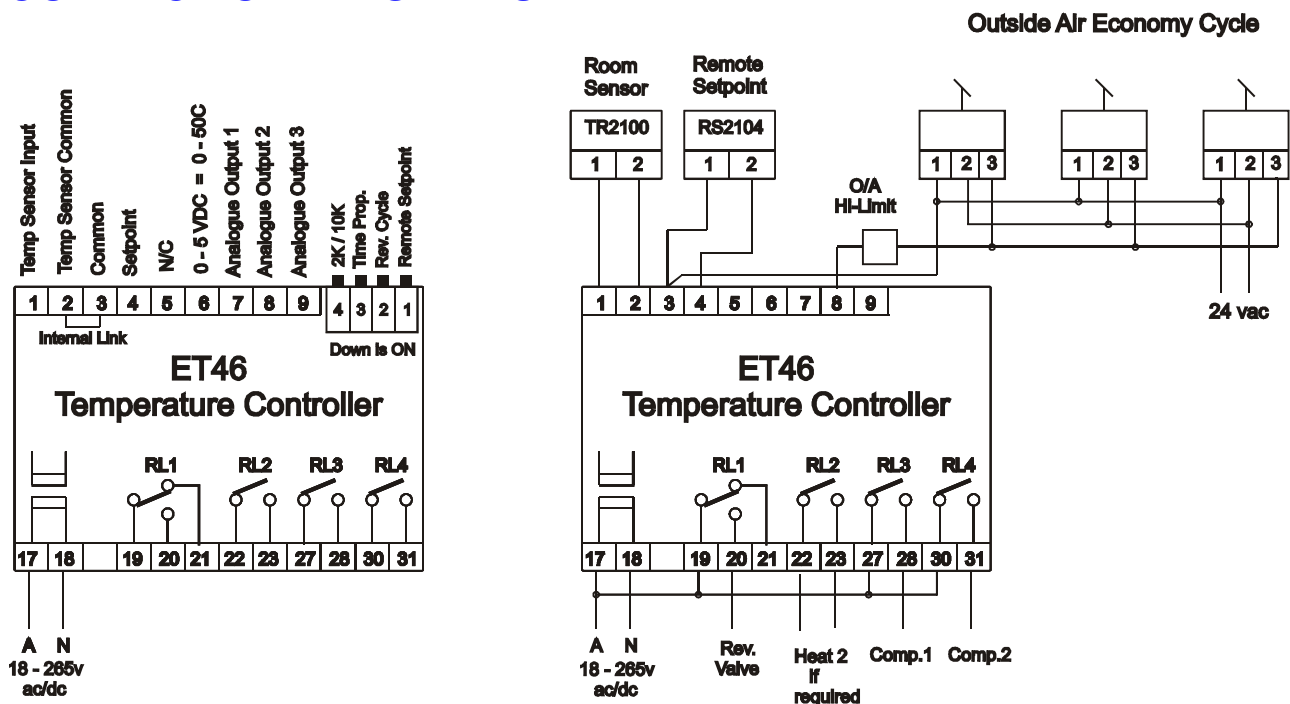
Switch 2 – Reverse Cycle

Switch 3 – Time Proportioning

Switch 4 – 10K / 2k Sensor. 10K is default.

**Please note that if the ET46 is replacing an ET45 Controller, Switch 4 MUST be pushed down*

CONNECTION DIAGRAMS



TECHNICAL DATA

Supply Voltage

18 - 265V AC/DC

Power Consumption

2W nominal

Model

ET46 MK1

Ambient Temp Operation

0 – 50C

Ambient Humidity

Max 90%RH

Dimensions

L70 x H88 x D62mm

Weight

0.40Kg

Wiring Terminal Size

4.0mm²

Inputs – Resistive Sensors

Thermistor 2K & 10K

Analogue Outputs

AO1, AO2 & AO3 0 – 10 vdc 10 mA. Short Circuit Protected

Relay Outputs

RL1 SPCO RL2, RL3 & RL4 SPNO 250 VAC 5 A Resistive

COPYRIGHT Regulator Australia Pty Ltd Due to our continuous striving towards manufacturing excellence and design development, we reserve the right to change details or specifications with out notice. While every effort is made to ensure accuracy at time of publication, we shall not be held liable for any errors or omissions, implied or otherwise.



REGULATOR AUSTRALIA PTY LTD

A.B.N. 88 001 225 636

8 Hope Street

ERMINGTON NSW 2115

SYDNEY AUSTRALIA

www.regulatoraustralia.com.au

Local Telephone: (02) 9804 6366 Fax: (02) 9804 6899

International Telephone: 612 9804 6366

International Fax: 612 9804 6899

September 2013