

## SDT SERIES

---



### SDT- H

#### DUCT MOUNTED TEMPERATURE SENSOR

*The **SDT-H** is a DUCT mountable temperature sensor. It is suitable for use with all the analogue HTC series temperature controllers.*

*Constructed from high impact ABS plastic, the **SDT-H** can be used in all types of Ductwork.*

*A 20mm Conduit entry is available on the bottom of the Housing, allowing for easy electrical installation with either solid or flexible conduit.*

---

#### **Features**

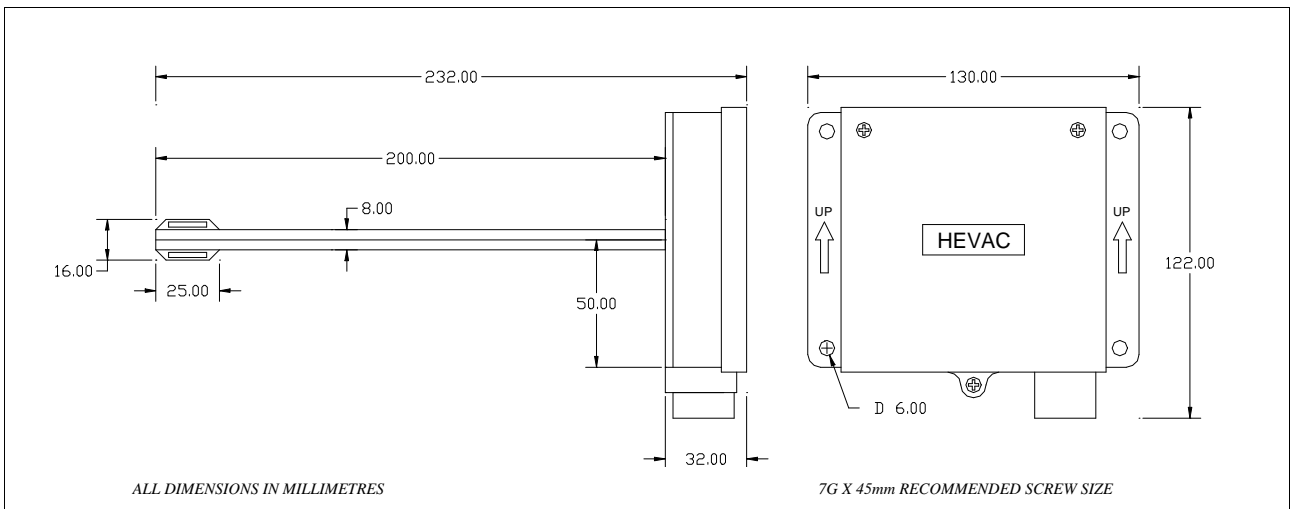
---

- Australian made and designed.
- Suitable for mounting in all types of Ductwork.
- Housing designed with large flange for easier mounting.
- Hi-Tech probe allowing for fast or slow air flow sensing.
- IP 54 Enclosure Class Rating.
- Made from high impact UV stabilised Black ABS.
- Compatibility to all analogue HTC series controllers.

## Technical Specifications

<i>Probe Length</i>	<i>200 Millimetres</i>
<i>Duct Hole Size</i>	<i>20 Millimeters</i>
<i>Thermistor characteristics</i>	<i>PTC 2000 ohms at 25 Degrees Centigrade</i>
<i>Wiring Considerations</i>	<i>Screened cable is recommended, earthed at the controller end only</i>
<i>Housing Colour</i>	<i>Black</i>
<i>Enclosure Class Rating</i>	<i>IP 54</i>
<i>Cable Entry (Solid or Flexible Conduit)</i>	<i>20 Millimetre Conduit Entry</i>

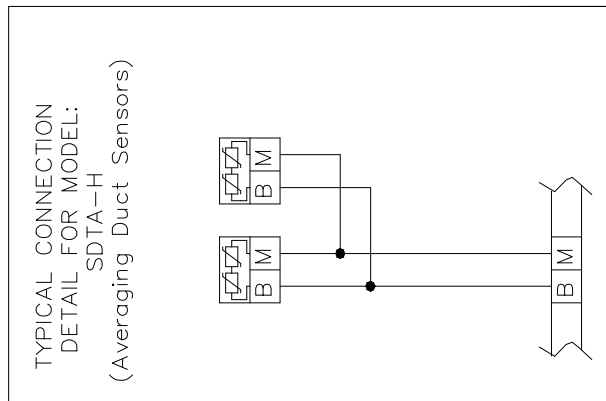
## Dimensions



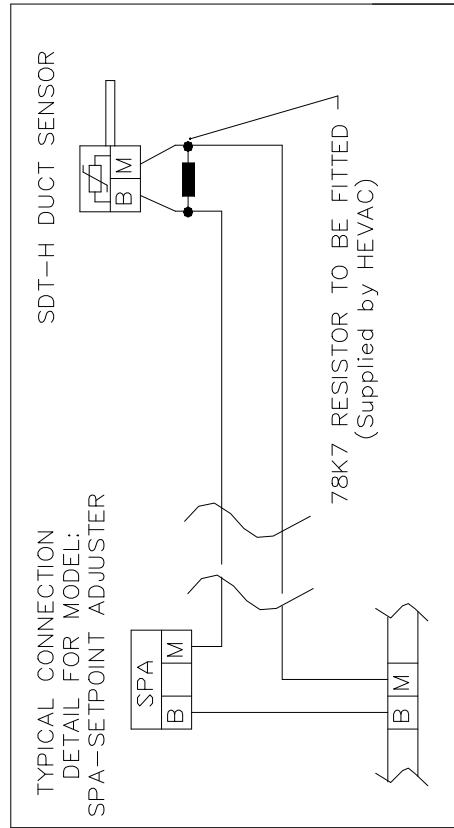
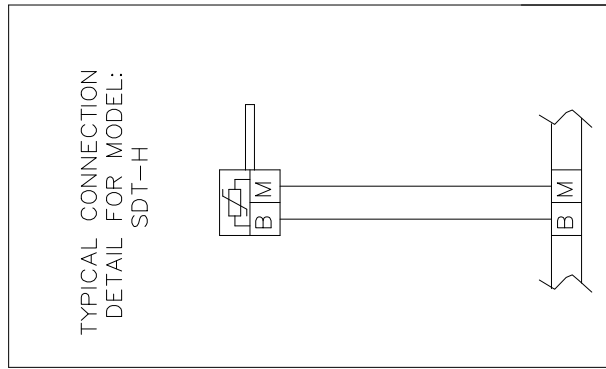
## Thermistor Resistance Characteristics

TEMP	OHMS	TEMP	OHMS	TEMP	OHMS	TEMP	OHMS
10.00	1776	15.00	1849	20.00	1924	<b>25.00</b>	<b>2000</b>
10.50	1783	15.50	1856	20.50	1931	25.50	2008
11.00	1790	16.00	1864	21.00	1939	26.00	2015
11.50	1798	16.50	1871	21.50	1946	26.50	2023
12.00	1805	17.00	1879	22.00	1954	27.00	2031
12.50	1812	17.50	1886	22.50	1962	27.50	2039
13.00	1820	18.00	1894	23.00	1969	28.00	2047
13.50	1827	18.50	1901	23.50	1977	28.50	2054
14.00	1834	19.00	1909	24.00	1985	29.00	2062
14.50	1842	19.50	1916	24.50	1992	29.50	2070

HEVAC ANALOGUE CONTROLLERS ONLY



PLEASE NOTE:  
HEVAC RECOMMENDS THAT ALL  
SENSORS BE WIRED USING  
SCREENED CABLE EARTHED AT  
THE CONTROLLER END ONLY !



VARIOUS DUCT SENSOR  
CONNECTIONS TO SUIT HEVAC HTC  
ANALOGUE SERIES CONTROLLERS

# Other HEVAC Quality Products

## HEVAC CONTROLS

### ***SENSORS***

- AVERAGING ROOM SENSORS
- DUCT SENSORS
- PIPE SENSORS
- ROOM SENSORS WITH LCD DISPLAY
- REMOTE SETPOINT ADJUSTERS
- ROOM SENSORS WITH VARIOUS SWITCH FUNCTIONS

### ***HTC ANALOGUE CONTROLLERS with the following features***

- DUAL SUPPLY VOLTAGE 24 VOLT OR 240 VOLTS AC
- 0 –10 VDC ECONOMY CYCLE OUTPUTS
- COMPARATORS EITHER ON/OFF OR MODULATING
- 0-10 VDC MODULATING CHILL WATER & HOT WATER OUTPUTS
- AUXILIARY ELECTRIC ELEMENT STAGES
- TRIPLE COMPRESSOR HEAT PUMP MODELS
- ON/OFF ECONOMY CYCLE OUTPUTS

### ***RTC ELECTRONIC ROOM THERMOSTATS with the following features***

- DUAL SUPPLY VOLTAGE 24 VOLT OR 240 VOLTS AC
- 5 AMP (Resistive) POTENTIAL FREE RELAY CONTACTS
- L.E.D INDICATION OF ALL OUTPUTS
- CONCEALED OR EXPOSED SETPOINT ADJUSTMENT

### ***HHC HUMIDITY CONTROLLER with the following features***

- 0 –10 VDC HUMIDIFICATION OUTPUT
- 0 –10 VDC DE-HUMIDIFICATION OUTPUT
- ON/OFF HUMIDIFICATION OUTPUT
- ON/OFF DE- HUMIDIFICATION OUTPUT
- DC POWER SUPPLY FOR HUMIDITY SENSOR

### ***HDT-6 MULTISTAGE DELAY ON TIMER with the following features***

- DUAL SUPPLY VOLTAGE 24 VOLT OR 240 VOLT
- SEVEN USER ADJUSTABLE DELAY SETTINGS
- TEST FACILITY

### ***LT-SERIES LAMP TEST MODULES***

***IF YOU HAVE A SPECIFIC REQUIREMENT OR REQUIRE FURTHER TECHNICAL ASSISTANCE PLEASE CONTACT OUR FRIENDLY SALES STAFF.***

***Phone: (03) 9562-7888***

***Fax: (03) 9562-7835***

***Email: sales@hevac.com.au***

***Web: www.hevac.com.au***