

## SRT SERIES

---



### SRT- H

#### WALL MOUNT ROOM TEMPERATURE SENSOR

*The **SRT-H** is a wall mount room temperature sensor. It is suitable for use with all the analogue HTC series temperature controllers.*

*Constructed from high impact ABS plastic, the housing is specifically designed with sensor sensitivity in mind making the **SRT-H** very responsive even in low airflow situations.*

*Cable entry is from the rear with side knockouts for cable duct on three sides, allowing for easy electrical installation.*

---

#### **Features**

---

- Australian made and designed.
- Aesthetic neutral coloured cream housing.
- Housing designed to reduce wall temperature offset.
- Large air grilles allowing for maximum air flow sensing.
- Measures radiant heat and air temperature.
- Made from high impact UV stabilised ABS.
- Compatibility to all analogue HTC series controllers.

**HEAD OFFICE:**

Unit 7, 54 Howleys Road,  
Notting Hill, Vic. 3168  
Phone: (03) 9562 7888  
Fax: (03) 9562 7835

Web Site Address

**[www.hevac.com.au](http://www.hevac.com.au)**

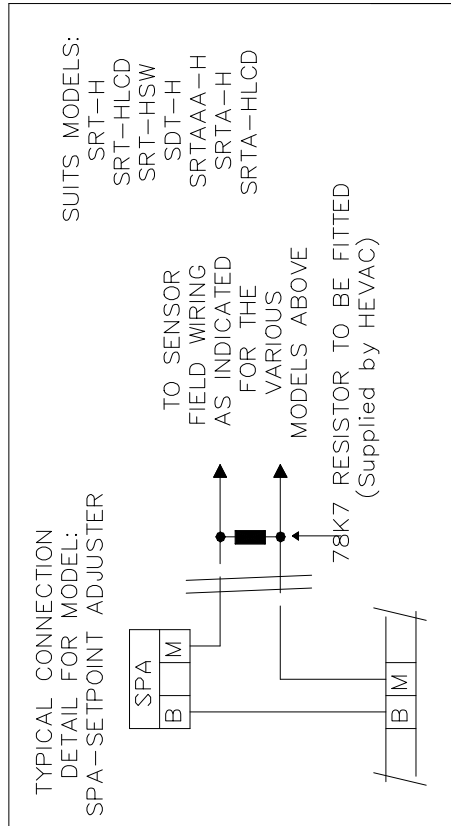
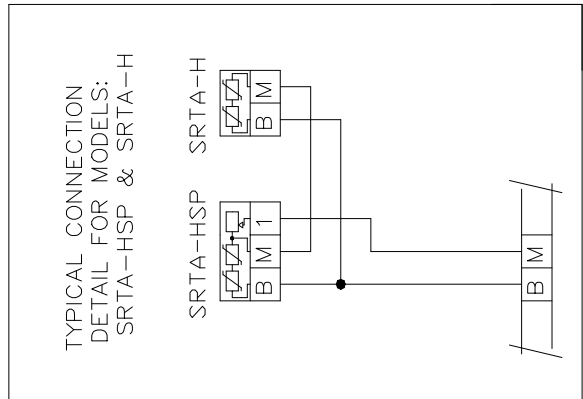
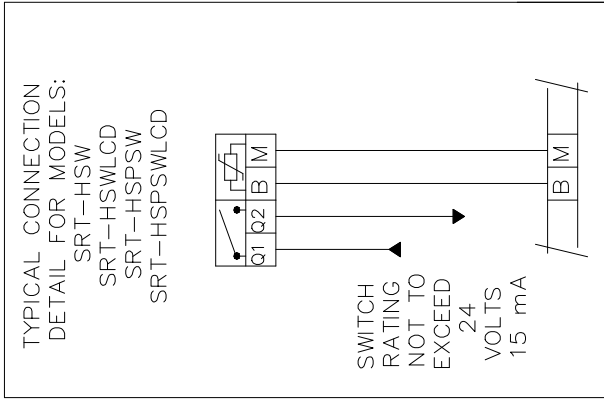
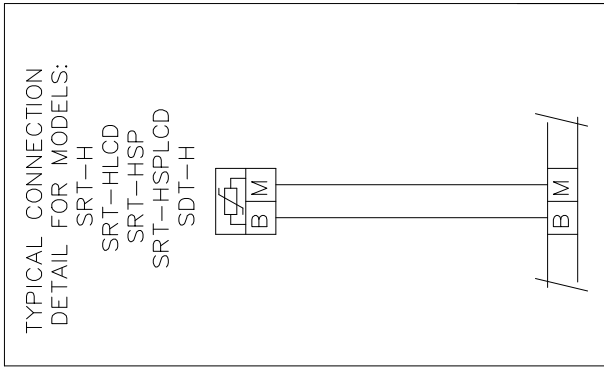
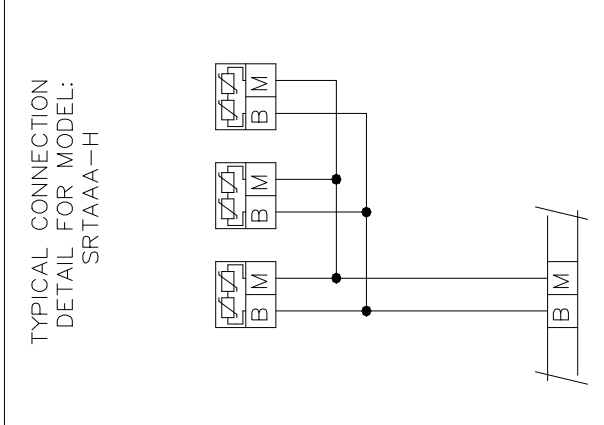
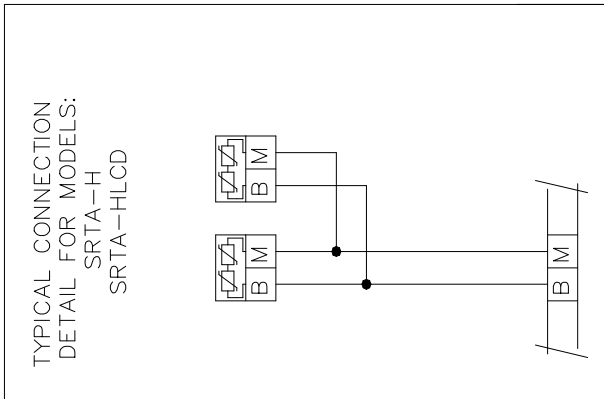
Email Contacts

SALES: [sales@hevac.com.au](mailto:sales@hevac.com.au)

TECHNICAL: [technical@hevac.com.au](mailto:technical@hevac.com.au)



HEVAC ANALOGUE CONTROLLERS ONLY



SUITS MODELS:  
SRT-H  
SRT-HLCD  
SRT-HSW  
SDT-H  
SRTAAA-H  
SRTA-H  
SRTA-HLCD

PLEASE NOTE:  
HEVAC RECOMMENDS THAT ALL SENSORS BE WIRED USING SCREENED CABLE EARTHED AT THE CONTROLLER END ONLY !

VARIOUS SENSOR CONNECTIONS TO  
SUIT HEVAC HTC ANALOGUE SERIES  
CONTROLLERS

# Other HEVAC Quality Products

## HEVAC CONTROLS

### ***SENSORS***

- AVERAGING ROOM SENSORS
- DUCT SENSORS
- PIPE SENSORS
- ROOM SENSORS WITH LCD DISPLAY
- REMOTE SETPOINT ADJUSTERS
- ROOM SENSORS WITH VARIOUS SWITCH FUNCTIONS

### ***HTC ANALOGUE CONTROLLERS with the following features***

- DUAL SUPPLY VOLTAGE 24 VOLT OR 240 VOLTS AC
- 0 –10 VDC ECONOMY CYCLE OUTPUTS
- COMPARATORS EITHER ON/OFF OR MODULATING
- 0-10 VDC MODULATING CHILL WATER & HOT WATER OUTPUTS
- AUXILIARY ELECTRIC ELEMENT STAGES
- TRIPLE COMPRESSOR HEAT PUMP MODELS
- ON/OFF ECONOMY CYCLE OUTPUTS

### ***RTC ELECTRONIC ROOM THERMOSTATS with the following features***

- DUAL SUPPLY VOLTAGE 24 VOLT OR 240 VOLTS AC
- 5 AMP (Resistive) POTENTIAL FREE RELAY CONTACTS
- L.E.D INDICATION OF ALL OUTPUTS
- CONCEALED OR EXPOSED SETPOINT ADJUSTMENT

### ***HHC HUMIDITY CONTROLLER with the following features***

- 0 –10 VDC HUMIDIFICATION OUTPUT
- 0 –10 VDC DE-HUMIDIFICATION OUTPUT
- ON/OFF HUMIDIFICATION OUTPUT
- ON/OFF DE- HUMIDIFICATION OUTPUT
- DC POWER SUPPLY FOR HUMIDITY SENSOR

### ***HDT-6 MULTISTAGE DELAY ON TIMER with the following features***

- DUAL SUPPLY VOLTAGE 24 VOLT OR 240 VOLT
- SEVEN USER ADJUSTABLE DELAY SETTINGS
- TEST FACILITY

### ***LT-SERIES LAMP TEST MODULES***

***IF YOU HAVE A SPECIFIC REQUIREMENT OR REQUIRE FURTHER TECHNICAL ASSISTANCE PLEASE CONTACT OUR FRIENDLY SALES STAFF.***

***Phone: (03) 9562-7888***

***Fax: (03) 9562-7835***

***Email: sales@hevac.com.au***

***Web: www.hevac.com.au***